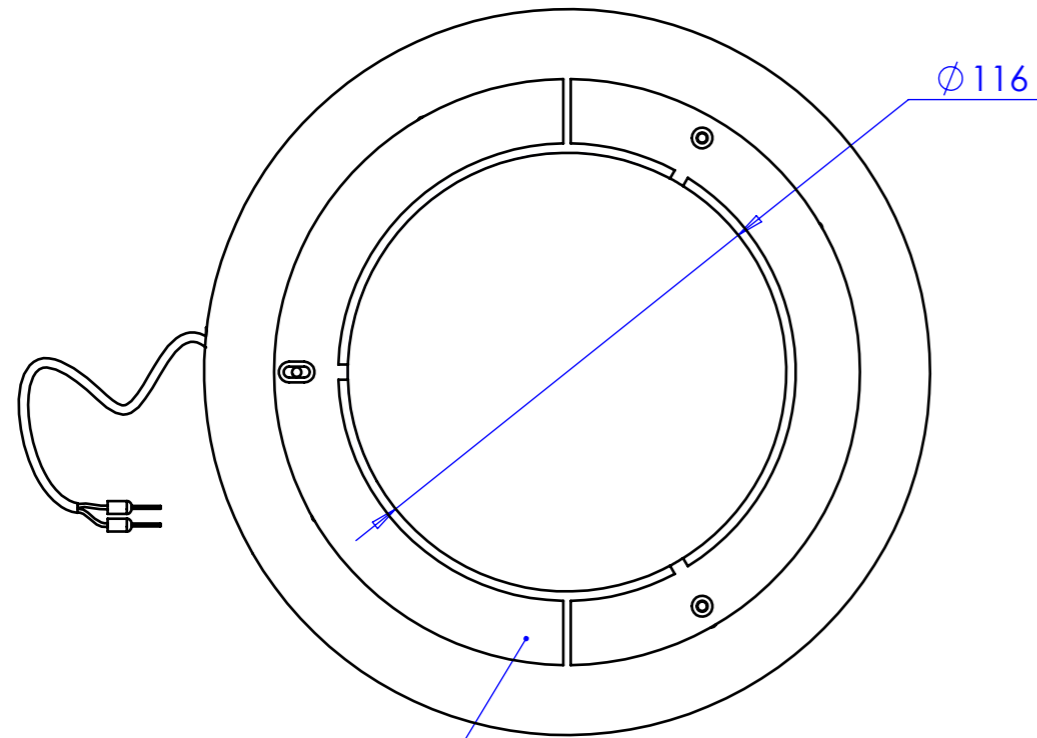
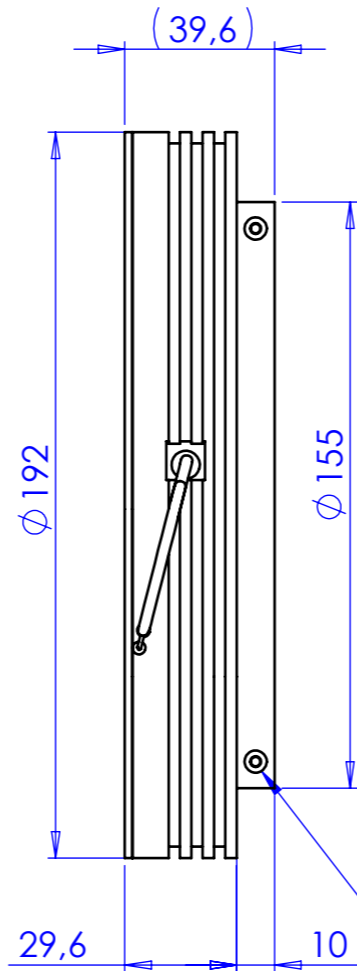


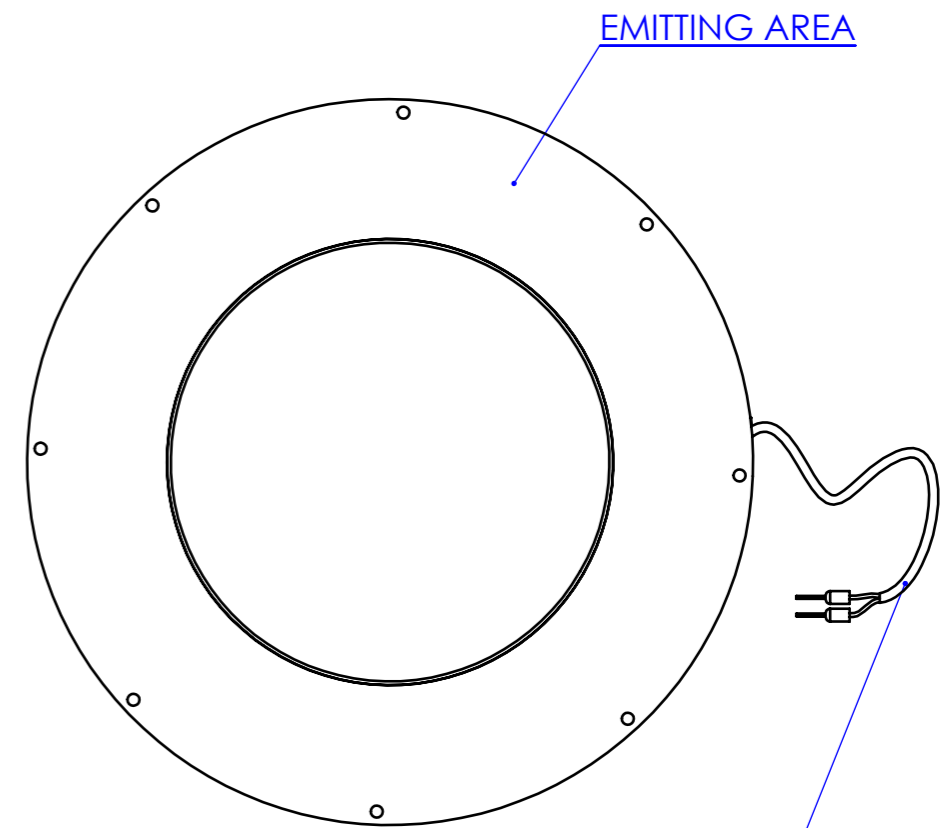
Rev No.	Description	Date	Name



CLAMPING SYSTEM

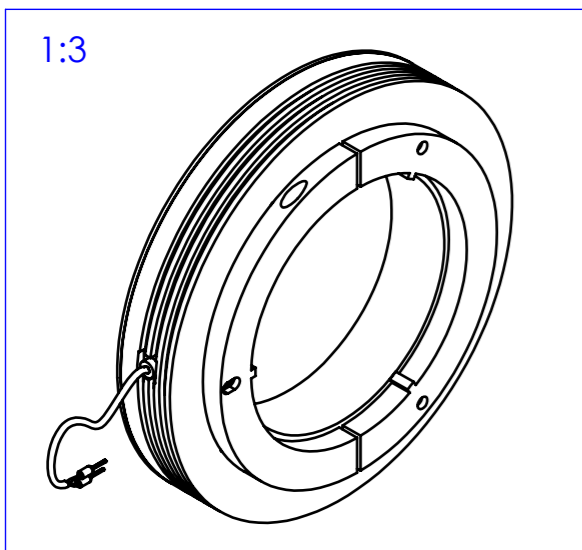


CLAMPING SCREW



EMITTING AREA

CABLE 1 METER



1:3

Material		N.A.		Mass		355 g		Scale		1:2	
Surface treatment		N.A.		Part No.		CO23460					
Geometrical tolerance (ISO 2768-2)								Class		K	
Linear tolerance (ISO 2768-2)								Class		m	
0.5	>3	>6	>30	>120	>400	>1000	>2000	Undimensioned bevels	0,5x45°		
±3	6	30	120	±400	1000	±2000	±4000	Undimensioned radii	R 0.5		
±0.1	±0.1	±0.2	±0.3	±0.5	±0.8	±1.2	±2	Date		Name	
		Designed		18/12/2014		Rodella		Drawing No.		Sheet	
		Drawn		18/12/2014		Rodella		DP 23460-A		1/1	
		Checked									
all dimensions are in mm OPTO ENGINEERING S.r.l. - Mantova Italy - Tel. +39 0376 699111 - www.opto-engineering.com											
Secret and confidential - All rights reserved - No copy, dissemination or circulation is allowed unless specifically authorized in writing by OPTO ENGINEERING S.r.l. - Any violation shall be legally prosecuted.											