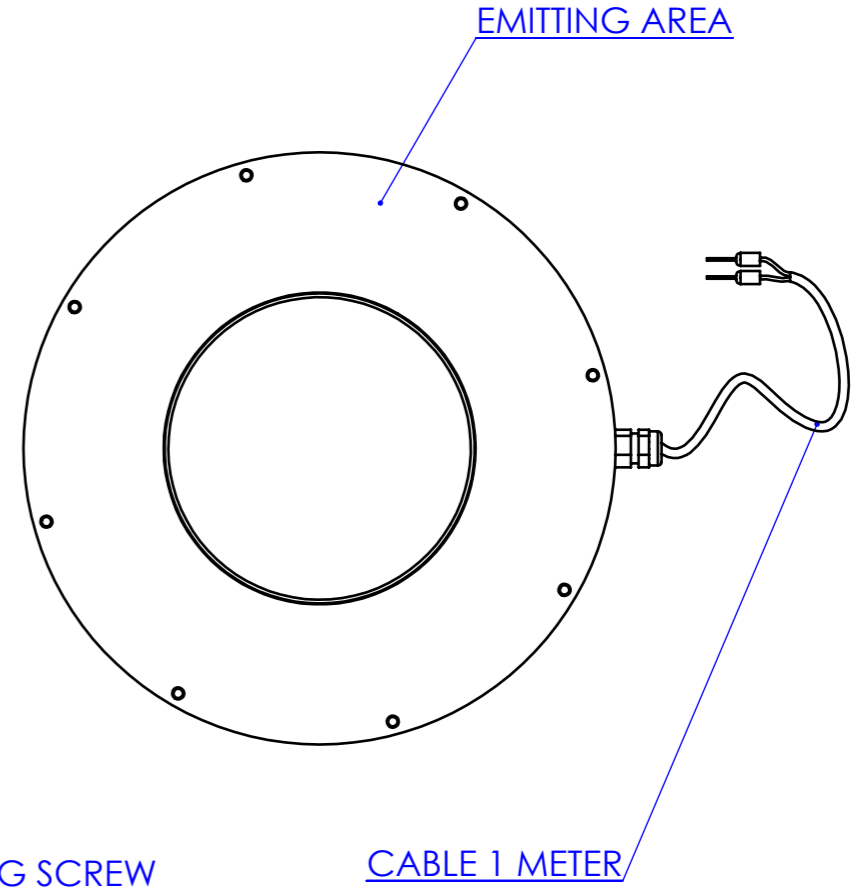
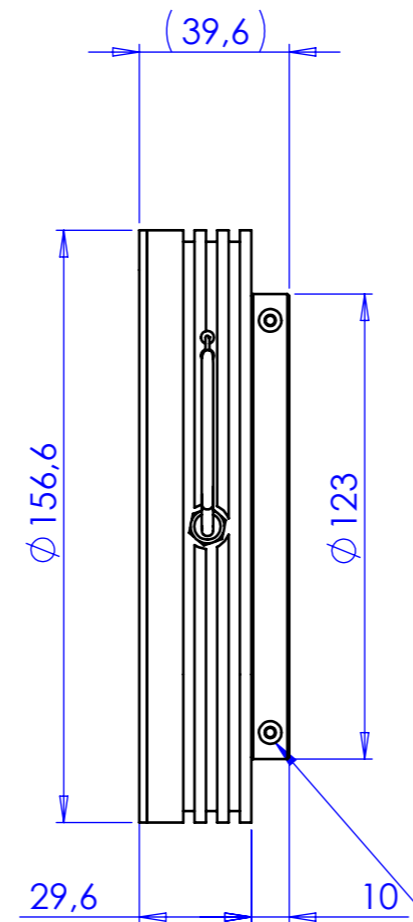
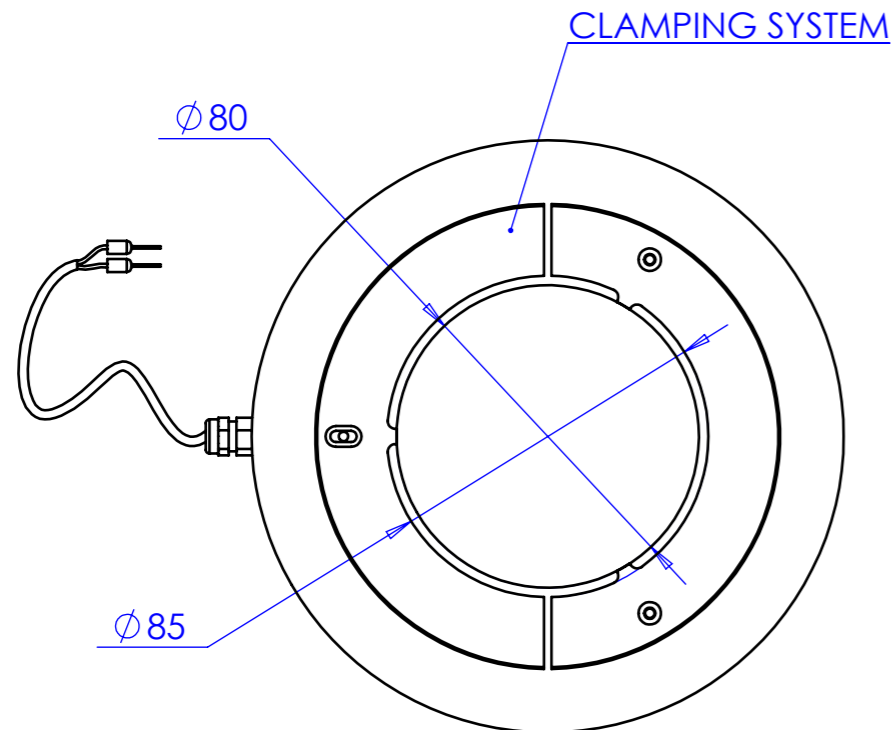
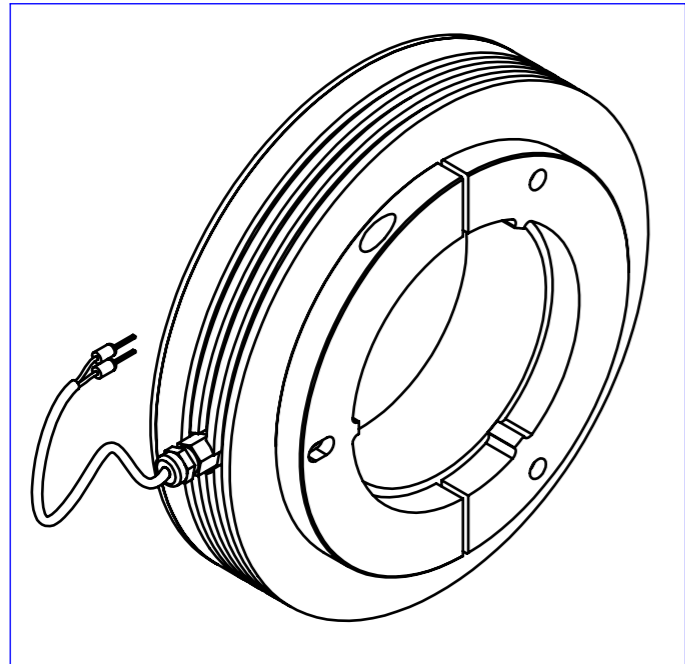


1 2 3 4 5 6 7 8

Rev No.	Description	Date	Name



CLAMPING SCREW



Material	N.A.	Mass	275 g	Scale	1:2	
Surface treatment	N.A.	Part No.	CO23453			
Geometrical tolerance (ISO 2768-2)		Class	K	Undimensioned bevels	0.5x45°	
Linear tolerance (ISO 2768-2)		Class	m	Undimensioned radii	R 0.5	
0.5 ±3	>3± 6	>6± 30	>30± 120	>120 ±400	>400± 1000	
					>1000 ±2000	
					>2000 ±4000	
±0.1	±0.1	±0.2	±0.3	±0.5	±0.8	
					±1.2	
					±2	
		Date	Name			
		Designed	16/12/2014	Rodella		
		Drawn	18/12/2014	Rodella		
Checked		Drawing No.			Sheet	
		DP 23453-A			1/1	
<i>Secret and confidential - All rights reserved - No copy, dissemination or circulation is allowed unless specifically authorized in writing by OPTO ENGINEERING S.r.l. - Any violation shall be legally prosecuted.</i>						

all dimensions are in mm

OPTO ENGINEERING S.r.l. - Mantova Italy - Tel. +39 0376 699111 - www.opto-engineering.com

1 2 3 4 5 6 7 8

0 1 2 3 4 5 6 7 8 9 10