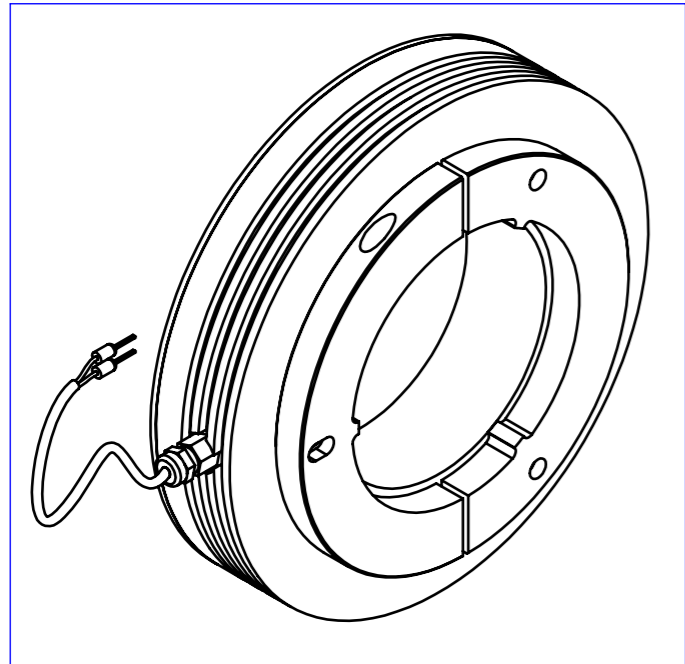
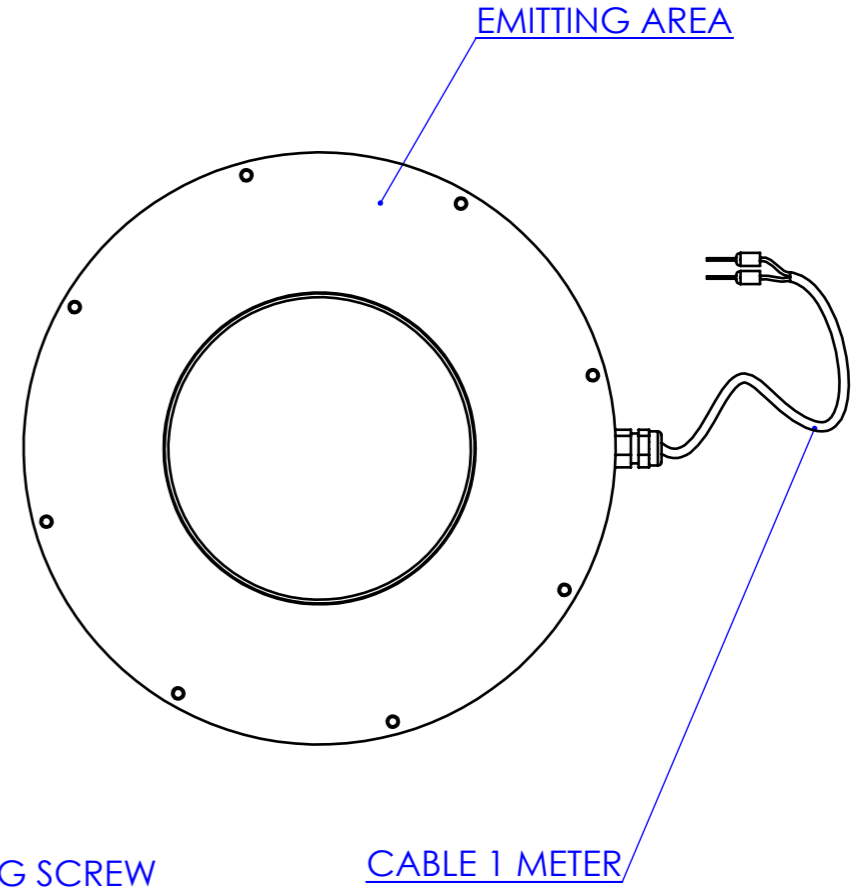
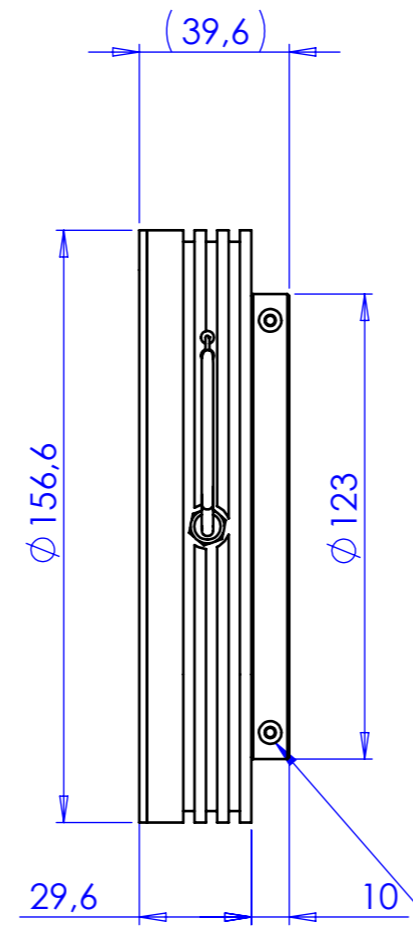
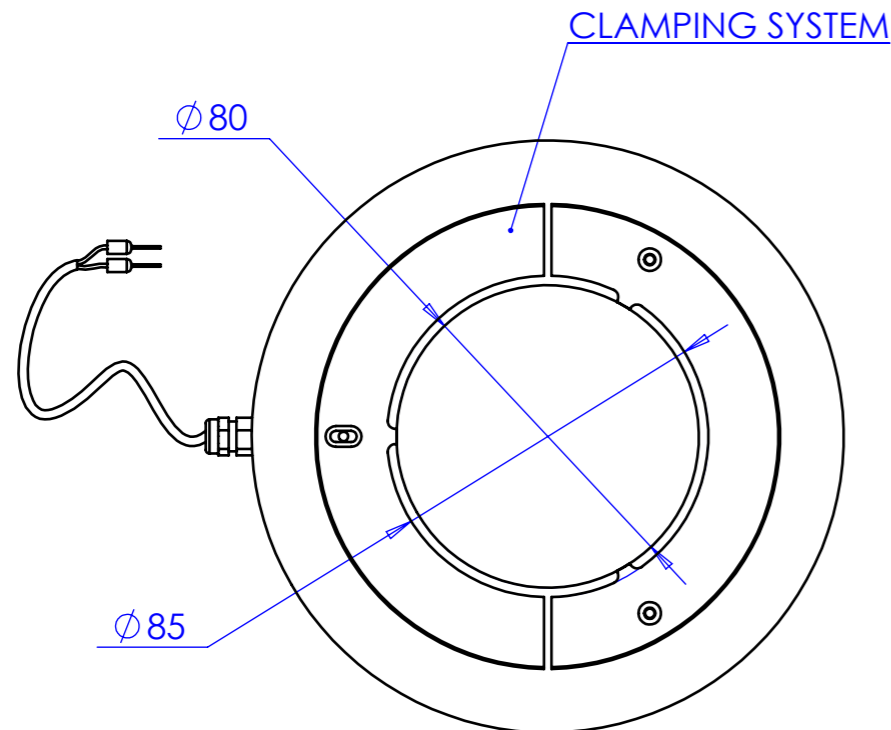


1 2 3 4 5 6 7 8

Rev No.	Description	Date	Name



Material	N.A.	Mass	275 g	Scale	1:2
Surface treatment	N.A.	Part No.	CO23452		
Geometrical tolerance (ISO 2768-2)		Class	K	Undimensioned bevels	0.5x45°
Linear tolerance (ISO 2768-2)		Class	m	Undimensioned radii	R 0.5
0.5 ±3	>3±6	>6±30	>30±120	>120 ±400	>400±1000
>1000 ±2000	>2000 ±4000	>4000 ±1.2	>2000 ±2	Description	
LTRN056RD					Drawing No.
					Sheet
Date: 16/12/2014 Name: Rodella Date: 18/12/2014 Name: Rodella					1/1
Drawing No. DP 23452-A					
Secret and confidential - All rights reserved - No copy, dissemination or circulation is allowed unless specifically authorized in writing by OPTO ENGINEERING S.r.l. - Any violation shall be legally prosecuted.					

all dimensions are in mm

1 2 3 4 5 6 7 8

0 1 2 3 4 5 6 7 8 9 10