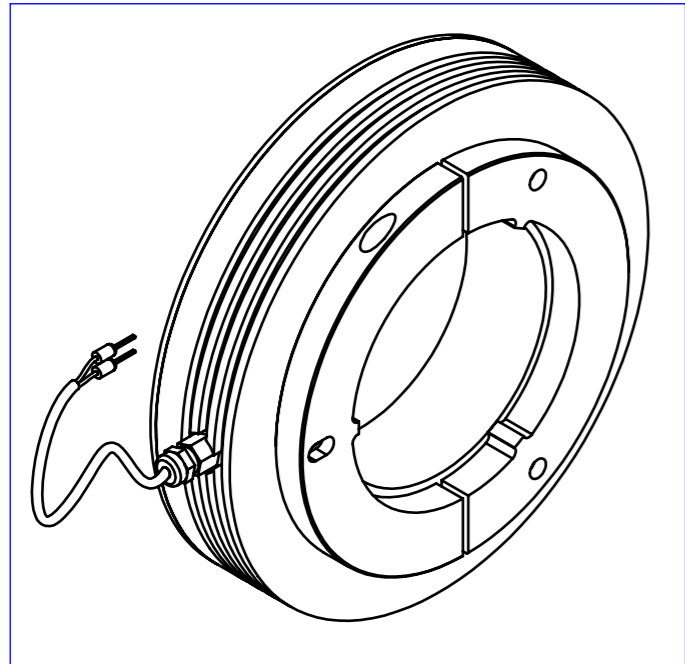
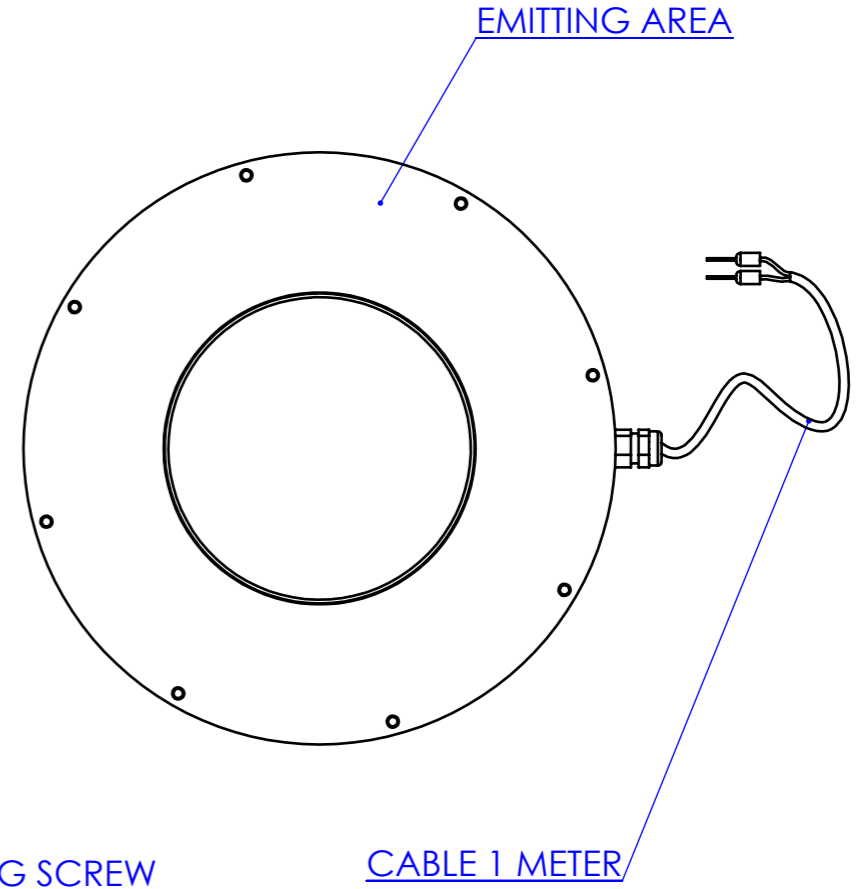
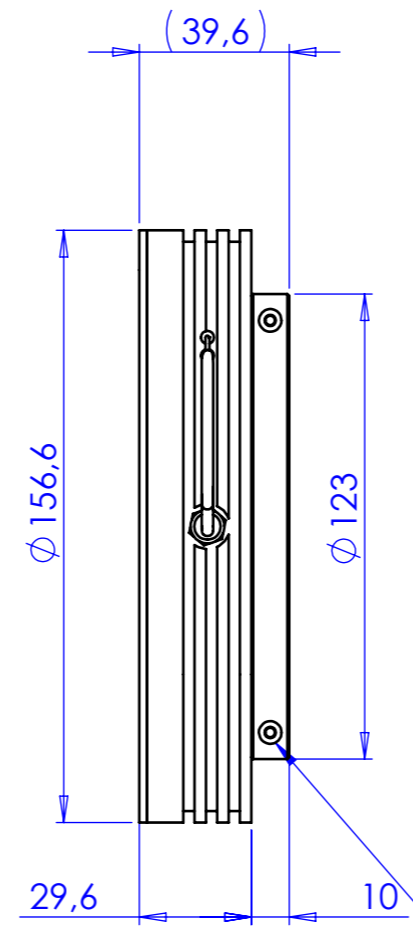
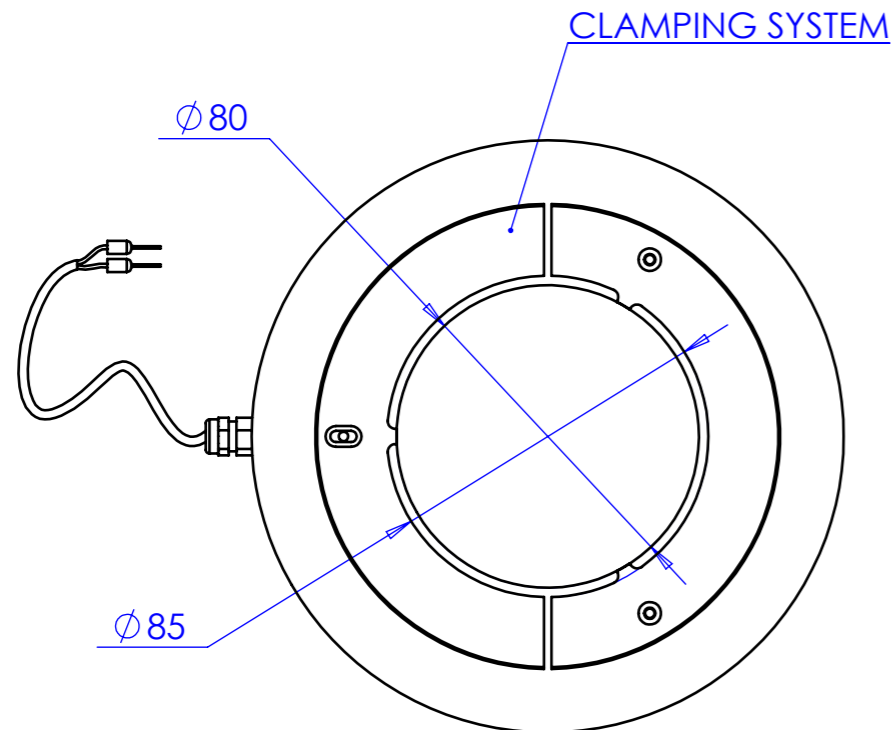


1 2 3 4 5 6 7 8

Rev No.	Description	Date	Name



Material	N.A.	Mass	275 g	Scale	1:2
Surface treatment	N.A.	Part No.	CO23451		
Geometrical tolerance (ISO 2768-2)		Class	K	Undimensioned bevels	0.5x45°
Linear tolerance (ISO 2768-2)		Class	m	Undimensioned radii	R 0.5
0.5 ±3	>3± 6	>6± 30	>30± 120	>120 ±400	>400± 1000
>1000 ±2000	>2000 ±4000	>4000 ±1.2	>10000 ±2	Description	
LTRN056NW					Drawing No.
DP 23451 -A					Sheet
1/1					<i>Secret and confidential - All rights reserved - No copy, dissemination or circulation is allowed unless specifically authorized in writing by OPTO ENGINEERING S.r.l. - Any violation shall be legally prosecuted.</i>

all dimensions are in mm



	Date	Name
Designed	16/12/2014	Rodella
Drawn	16/12/2014	Rodella
Checked		

OPTO ENGINEERING S.r.l. - Mantova Italy - Tel. +39 0376 699111 - www.opto-engineering.com

1 2 3 4 5 6 7 8

0 1 2 3 4 5 6 7 8 9 10