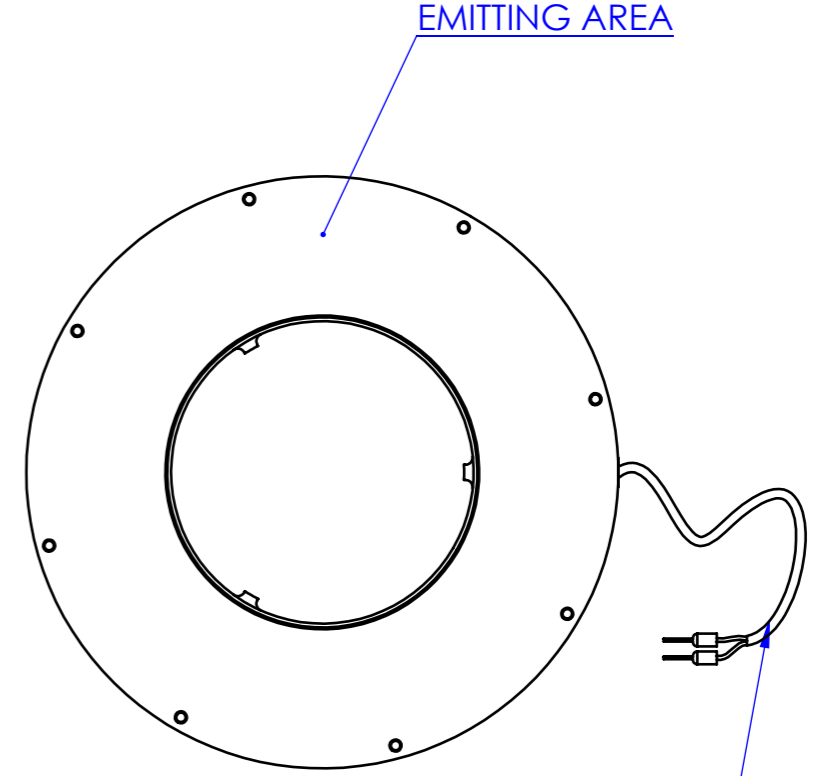
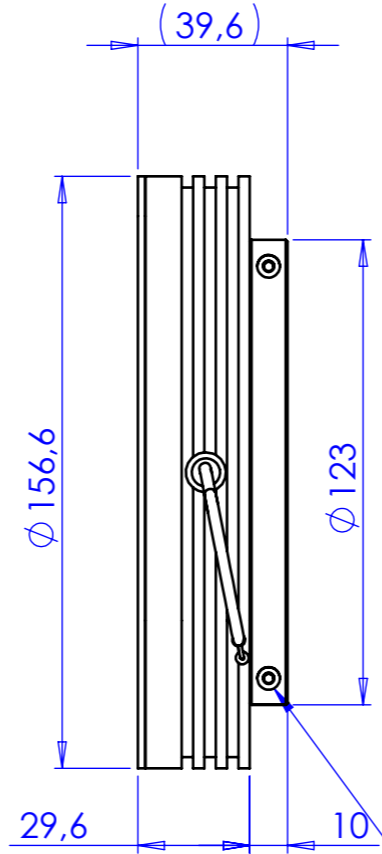
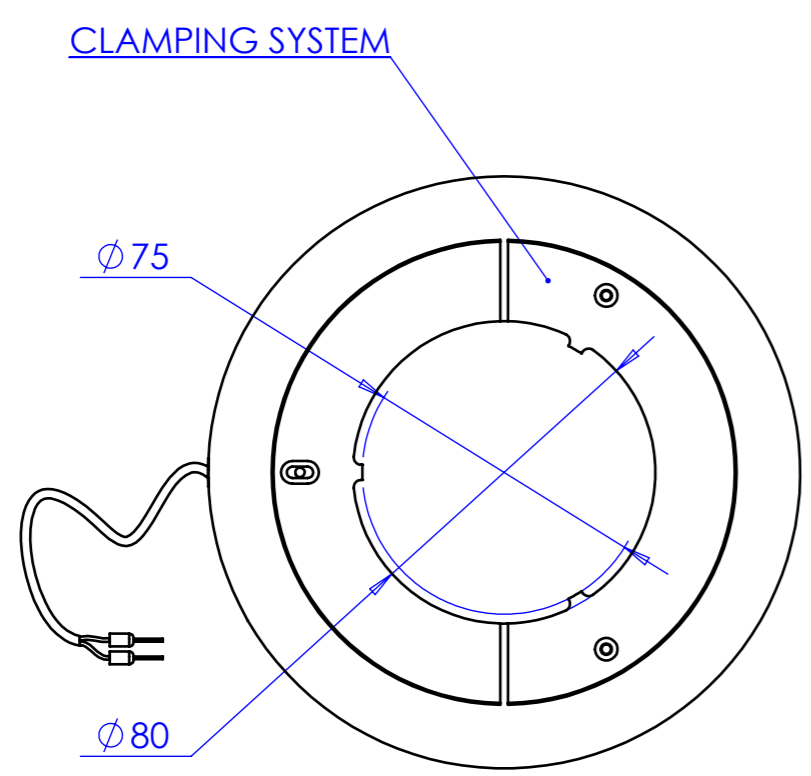


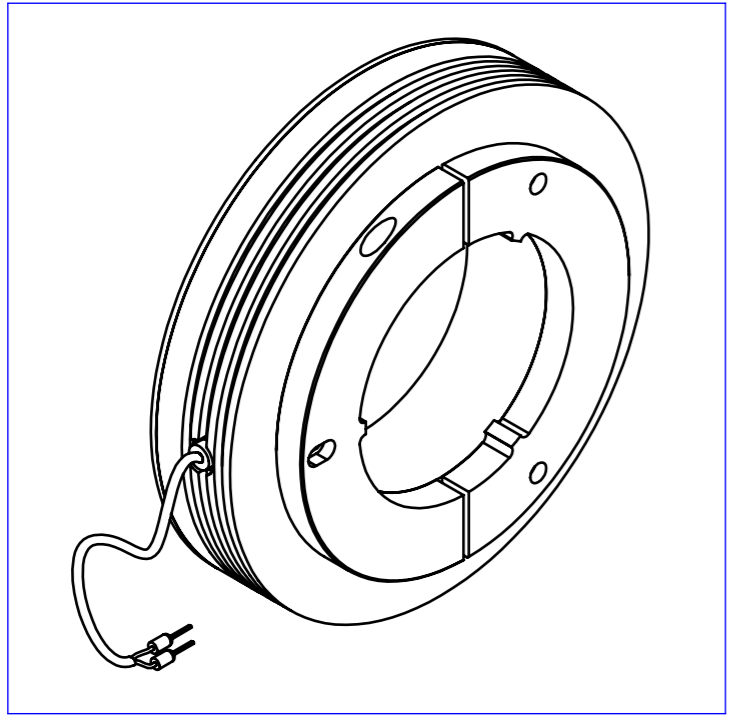
1 2 3 4 5 6 7 8

Rev No.	Description	Date	Name



CLAMPING SCREW

CABLE 1 METER



Material	N.A.			Mass	281 g	Scale	1:2	
Surface treatment	N.A.			Part No.	CO23449			
Geometrical tolerance (ISO 2768-2)			Class	K	Description			
Linear tolerance (ISO 2768-2)			Class	m	Undimensioned bevels	0.5x45°	LTRN048GR	
0.5	>3±	>6±	>30±	>120	>400±	>1000		Undimensioned radii
±3	6	30	120	±400	1000	±2000	R 0.5	
±0.1	±0.1	±0.2	±0.3	±0.5	±0.8	±1.2	±2	
			Date	Name	Drawing No.			
			Designed	16/12/2014	Rodella	DP 23449-A		
			Drawn	18/12/2014	Rodella	Sheet		
OPTO ENGINEERING S.r.l. - Mantova Italy - Tel. +39 0376 699111 - www.opto-engineering.com			Checked		1/1			
Secret and confidential - All rights reserved - No copy, dissemination or circulation is allowed unless specifically authorized in writing by OPTO ENGINEERING S.r.l. - Any violation shall be legally prosecuted.								

1 2 3 4 5 6 7 8

0 1 2 3 4 5 6 7 8 9 10