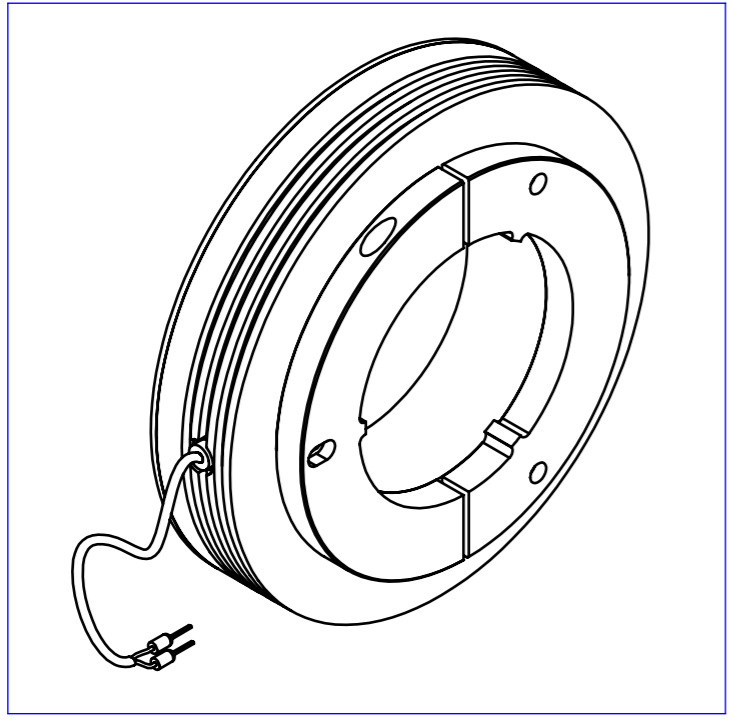
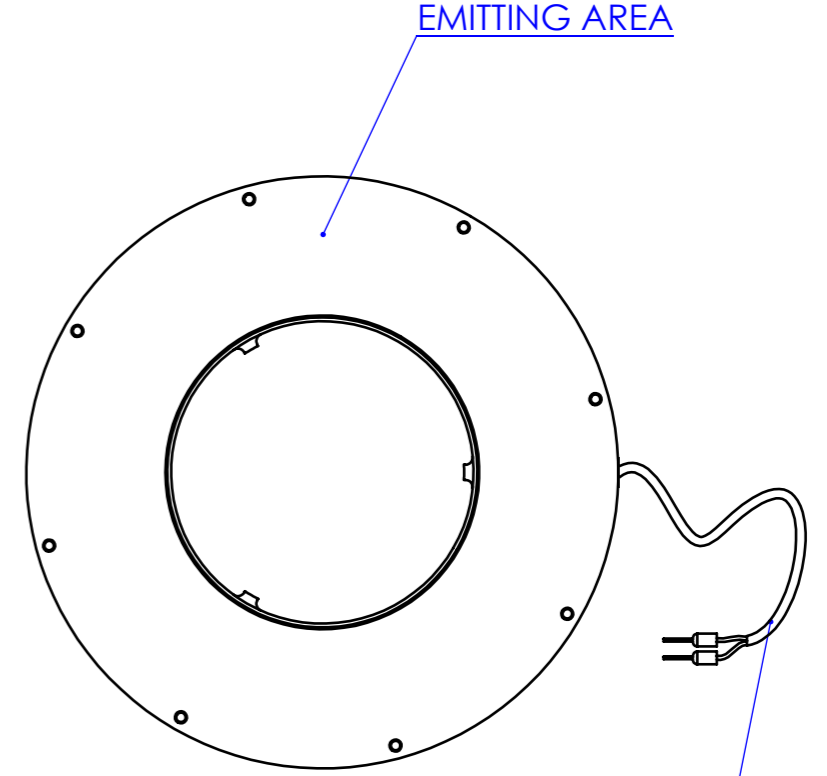
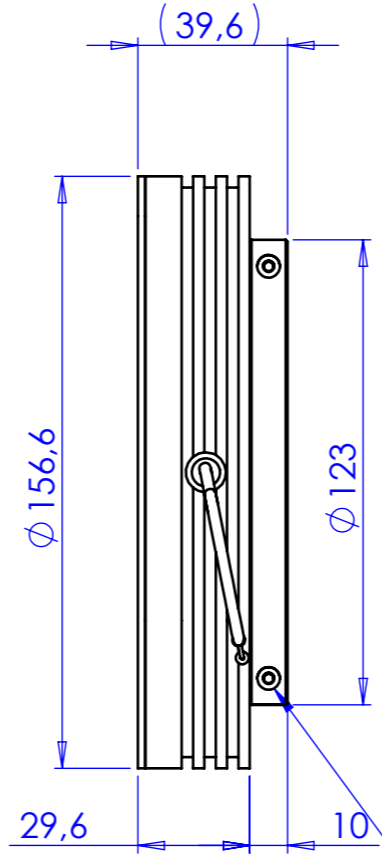
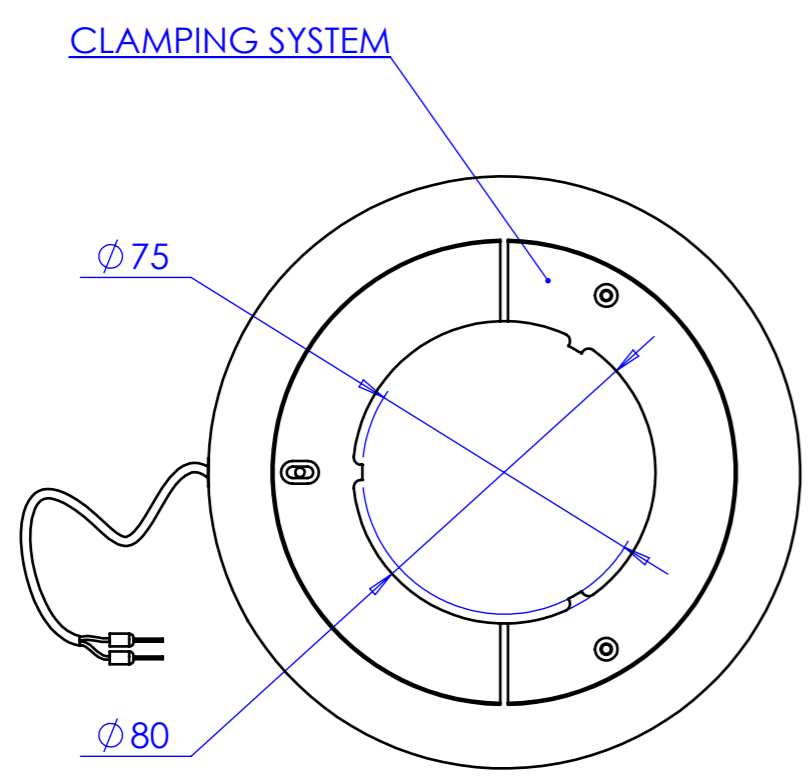


1 2 3 4 5 6 7 8

Rev No.	Description	Date	Name



Material	N.A.		Mass	281 g	Scale	1:2	
Surface treatment	N.A.		Part No.	CO23447			
Geometrical tolerance (ISO 2768-2)			Class	K	Undimensioned bevels	0,5x45°	
Linear tolerance (ISO 2768-2)			Class	m	Undimensioned radii	R 0.5	
0.5	>3±	>6±	>30±	>120	>400±	>1000	
±3	6	30	120	±400	1000	±2000	
±0.1	±0.1	±0.2	±0.3	±0.5	±0.8	±1.2	
±2	±2	±2	±2	±2	±2	±2	
 <b>OPTO ENGINEERING S.r.l. - Mantova Italy - Tel. +39 0376 699111 - www.opto-engineering.com</b>			Date	Name			
			Designed	16/12/2014	Rodella		
			Drawn	16/12/2014	Rodella		
Checked			Drawing No.			Sheet	
			DP 23447-A			1/1	
<i>Secret and confidential - All rights reserved - No copy, dissemination or circulation is allowed unless specifically authorized in writing by OPTO ENGINEERING S.r.l. - Any violation shall be legally prosecuted.</i>							

1 2 3 4 5 6 7 8

0 1 2 3 4 5 6 7 8 9 10