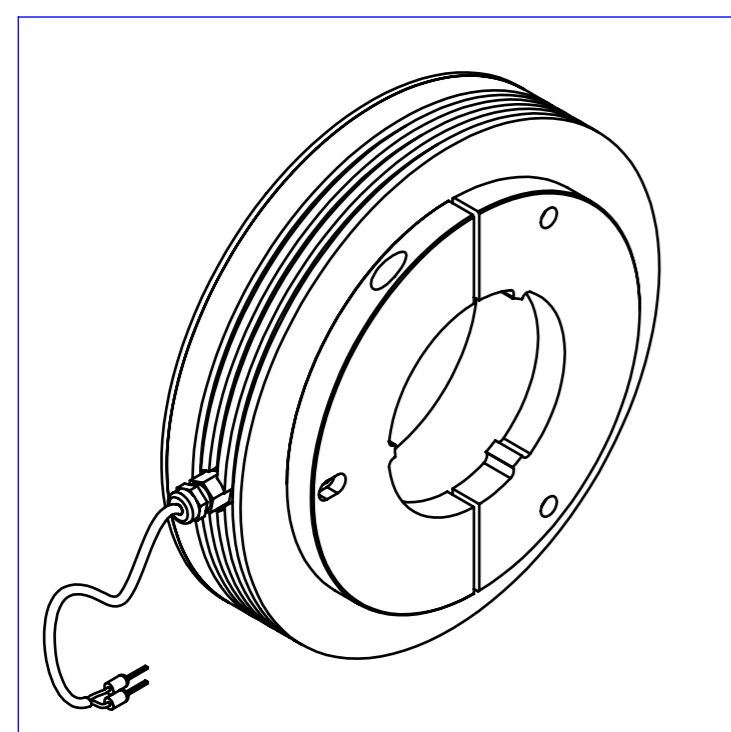
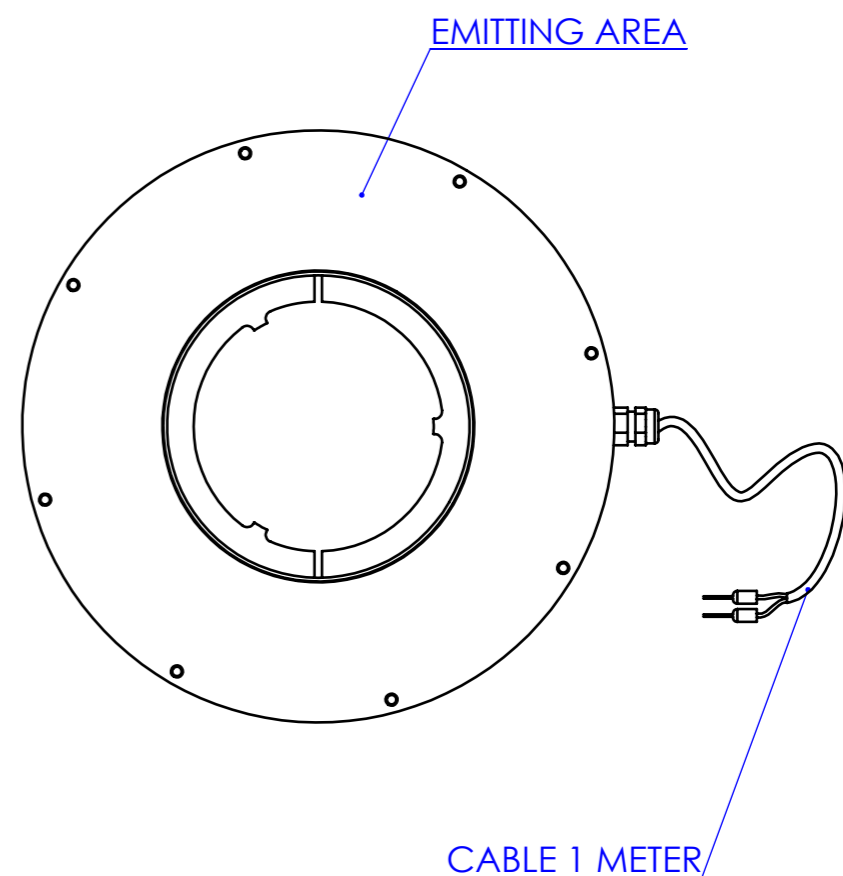
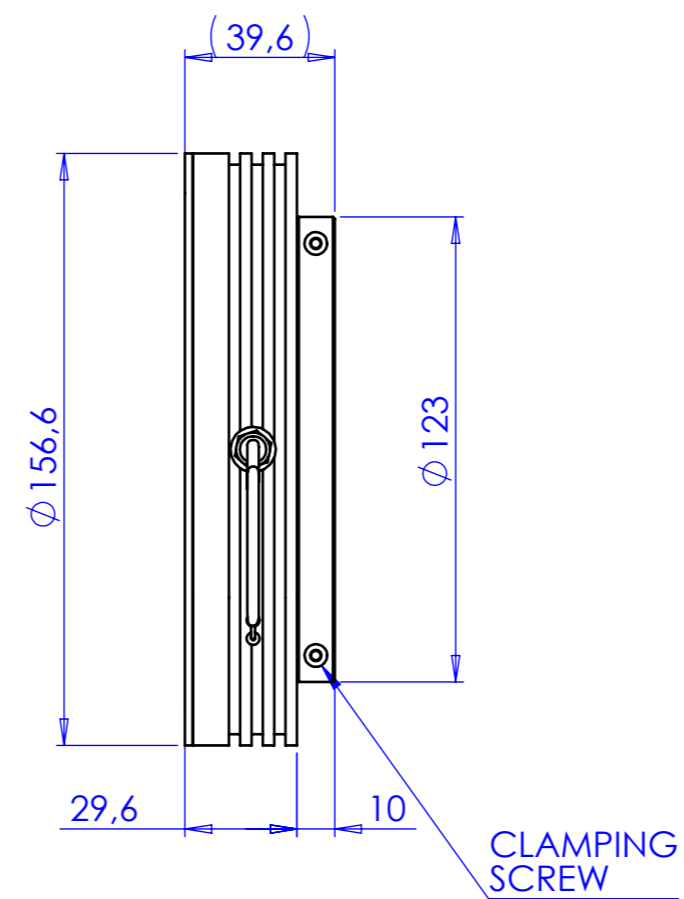
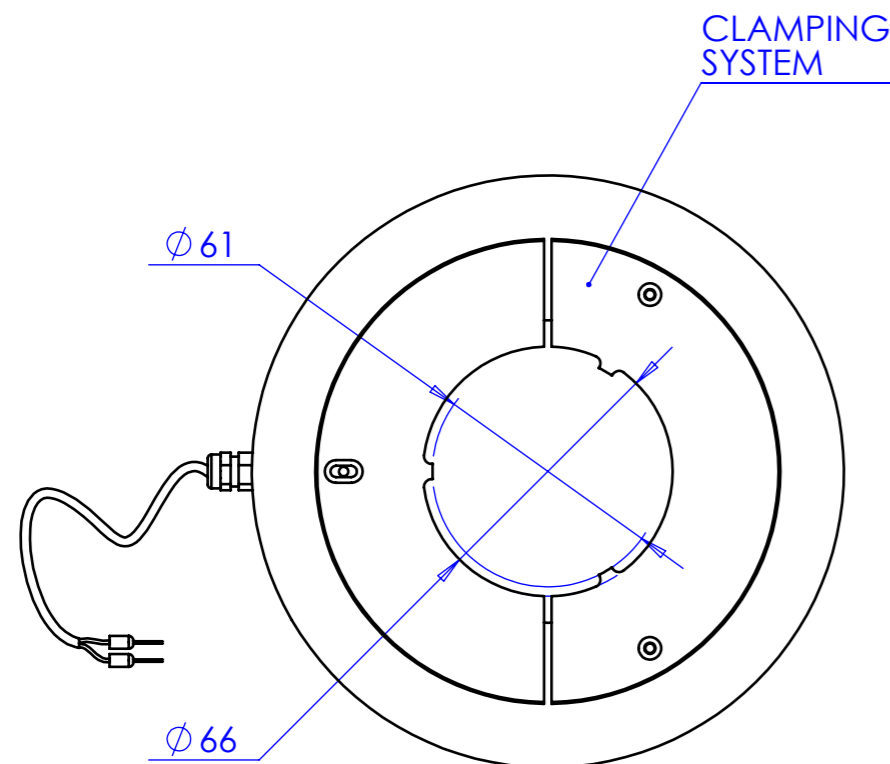


Rev No.	Description	Date	Name



Material	N.A.		Mass	297 g	Scale	1:2			
Surface treatment	N.A.		Part No.	CO23446					
Geometrical tolerance (ISO 2768-2)		Class	K	Undimensioned bevels	0,5x45°	Description			
Linear tolerance (ISO 2768-2)		Class	m	Undimensioned radii	R 0,5		LTRN036BL		
0,5 ±3	>3± 6	>6± 30	>30± 120	>120 ±400	>400± 1000	>1000 ±2000	>2000 ±4000	Date Name Drawing No. Sheet	
±0,1	±0,1	±0,2	±0,3	±0,5	±0,8	±1,2	±2		Date Name Drawing No. Sheet
		Designed	16/12/2014	Rodella	Drawing No. DP 23446-A		Sheet 1/1		
all dimensions are in mm OPTO ENGINEERING S.r.l. - Mantova Italy - Tel. +39 0376 699111 - www.opto-engineering.com						Secret and confidential - All rights reserved - No copy, dissemination or circulation is allowed unless specifically authorized in writing by OPTO ENGINEERING S.r.l. - Any violation shall be legally prosecuted.			