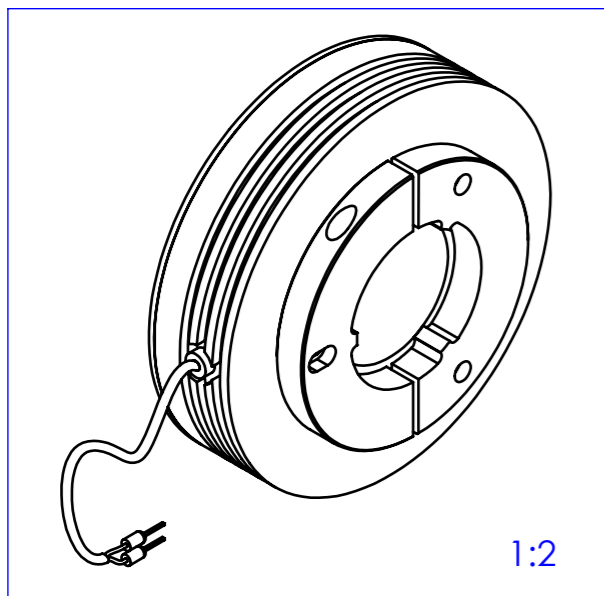
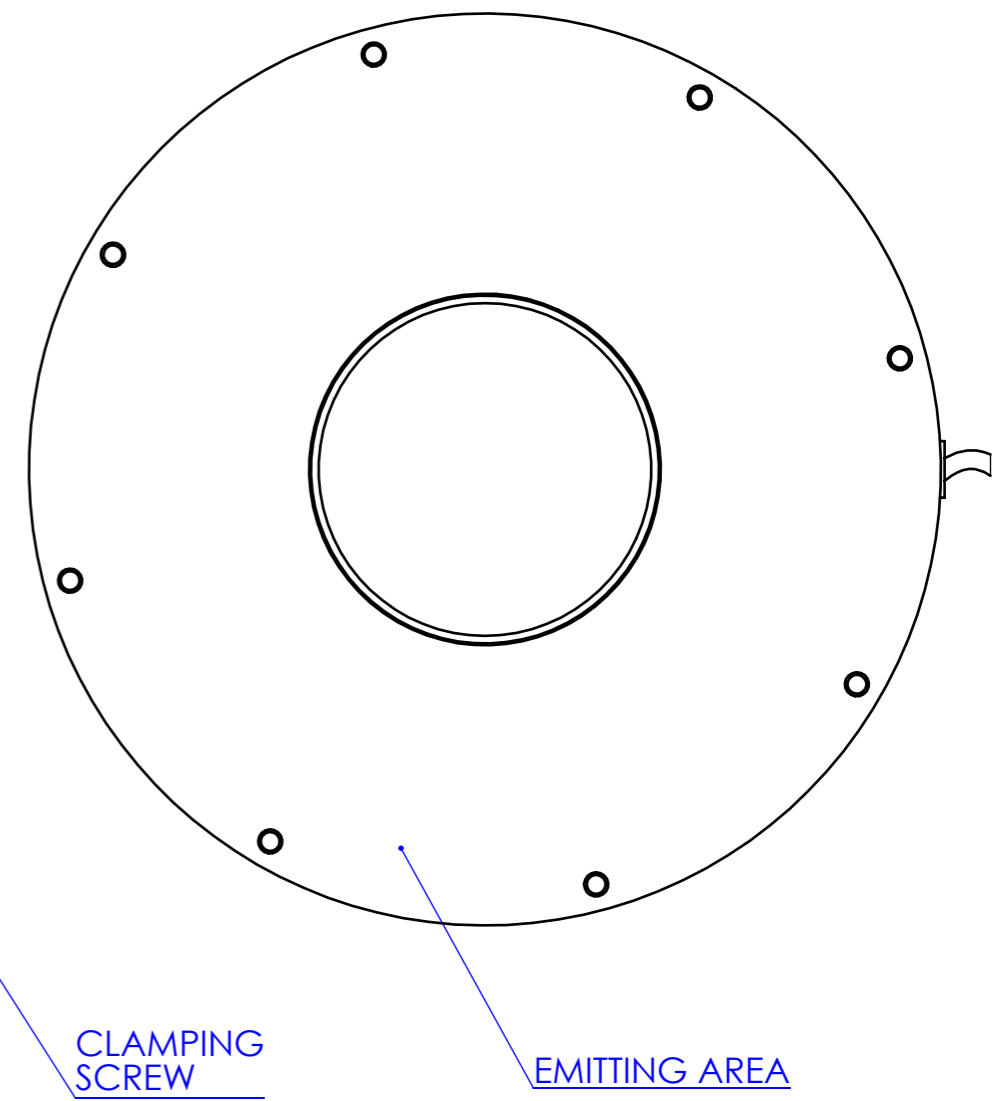
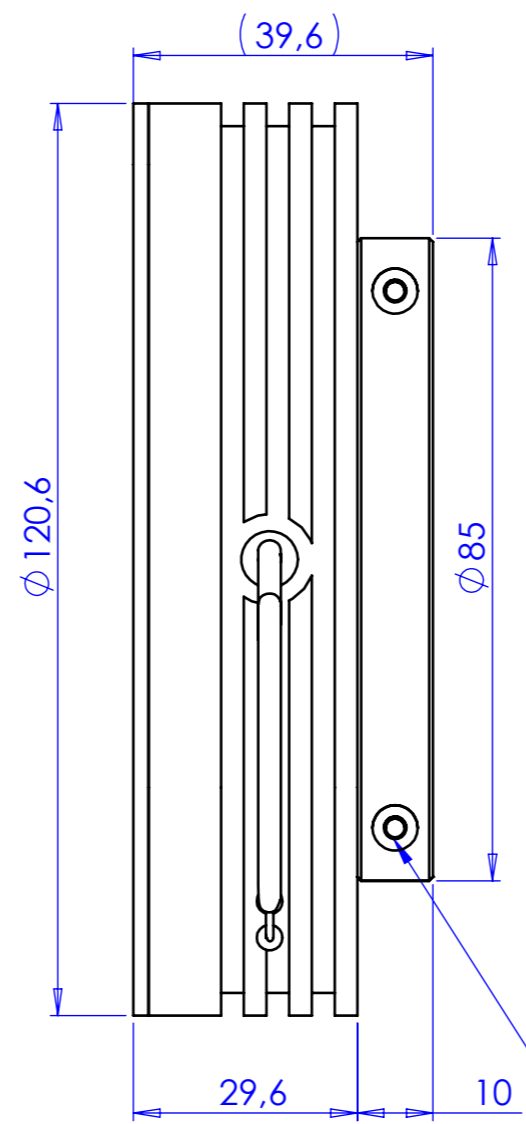
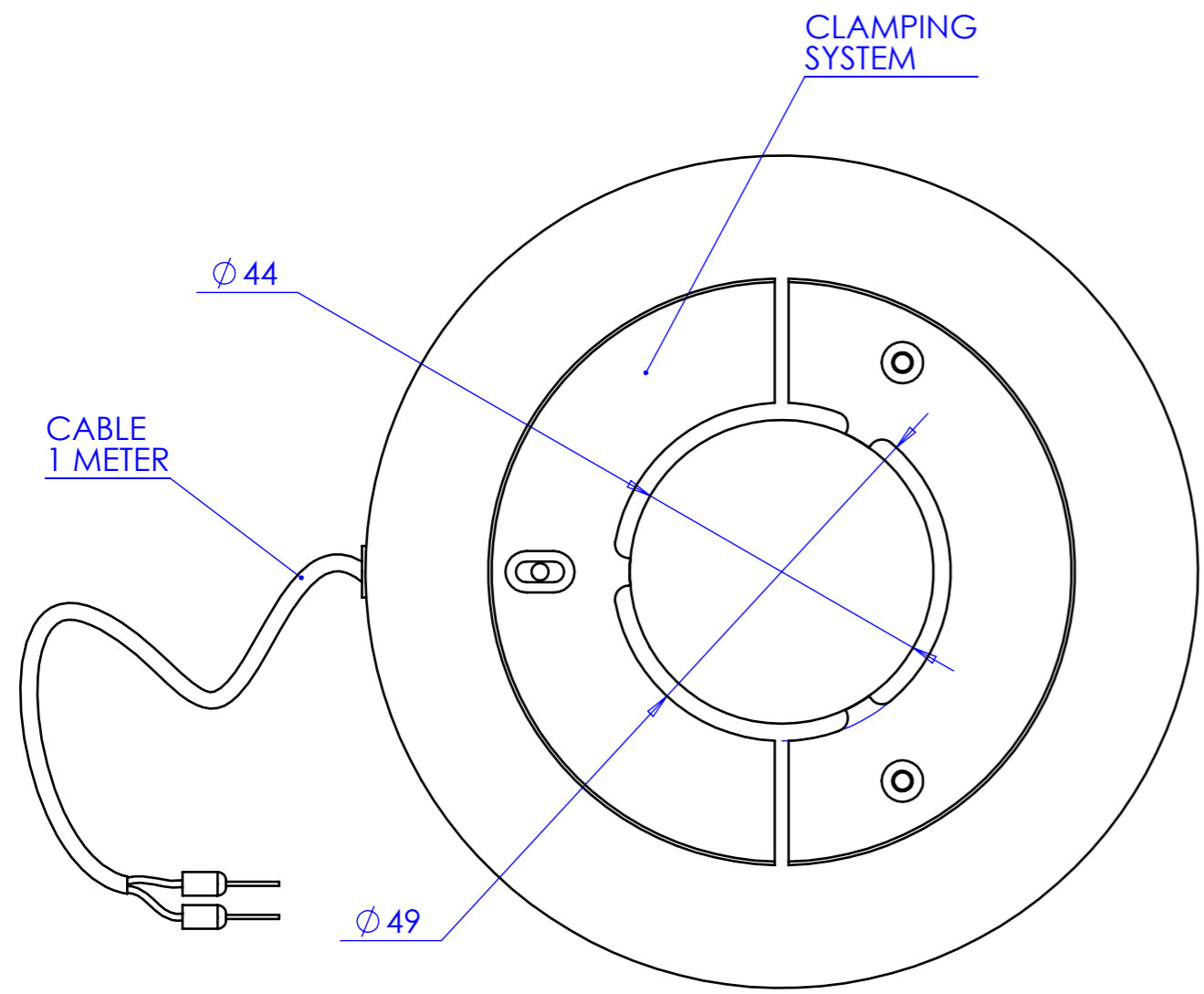


Rev No.	Description	Date	Name



Material		N.A.		Mass		187 g		Scale		1:1	
Surface treatment		N.A.		Part No.		CO23441					
Geometrical tolerance (ISO 2768-2)								Class		K	
Linear tolerance (ISO 2768-2)								Class		m	
0.5	>3±	>6±	>30±	>120	>400±	>1000	>2000	Undimensioned bevels	0,5x45°		
±3	6	30	120	±400	1000	±2000	±4000	Undimensioned radii	R 0.5		
±0.1	±0.1	±0.2	±0.3	±0.5	±0.8	±1.2	±2	Description		LTRN024GR	
 OPTO ENGINEERING S.r.l. - Mantova Italy - Tel. +39 0376 699111 - www.opto-engineering.com		Date		Name		Drawing No.		Sheet			
		Designed		16/12/2014		Rodella		DP 23441 -A		1/1	
		Drawn		16/12/2014		Rodella					
Checked								<i>Secret and confidential - All rights reserved - No copy, dissemination or circulation is allowed unless specifically authorized in writing by OPTO ENGINEERING S.r.l. - Any violation shall be legally prosecuted.</i>			