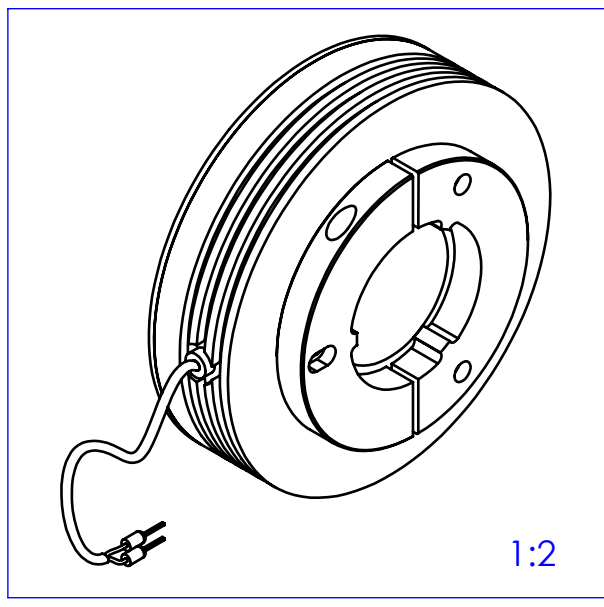
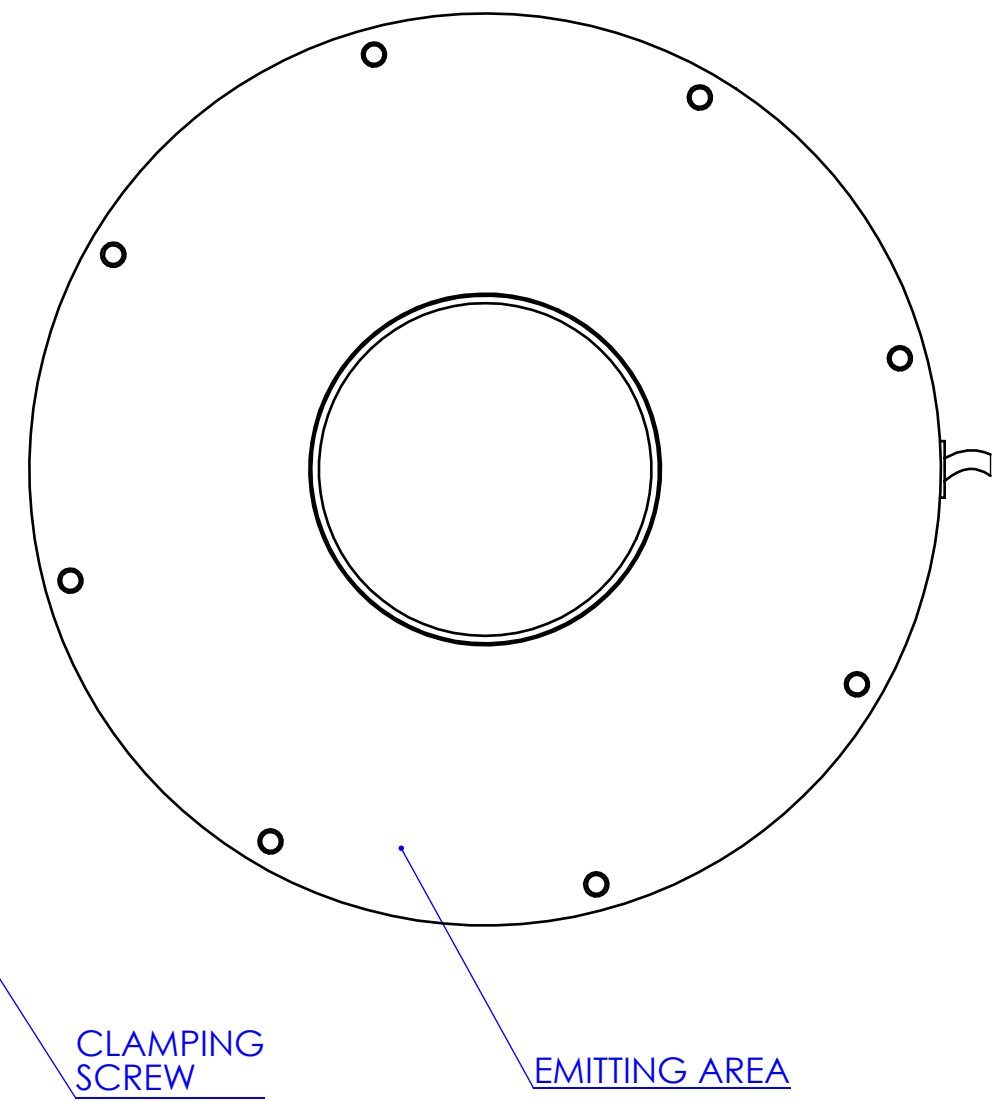
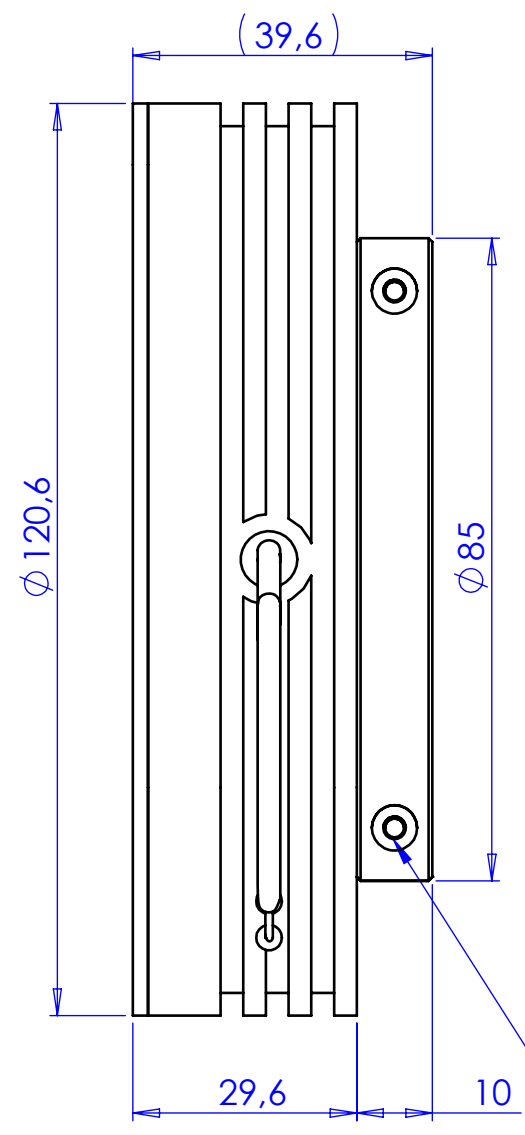
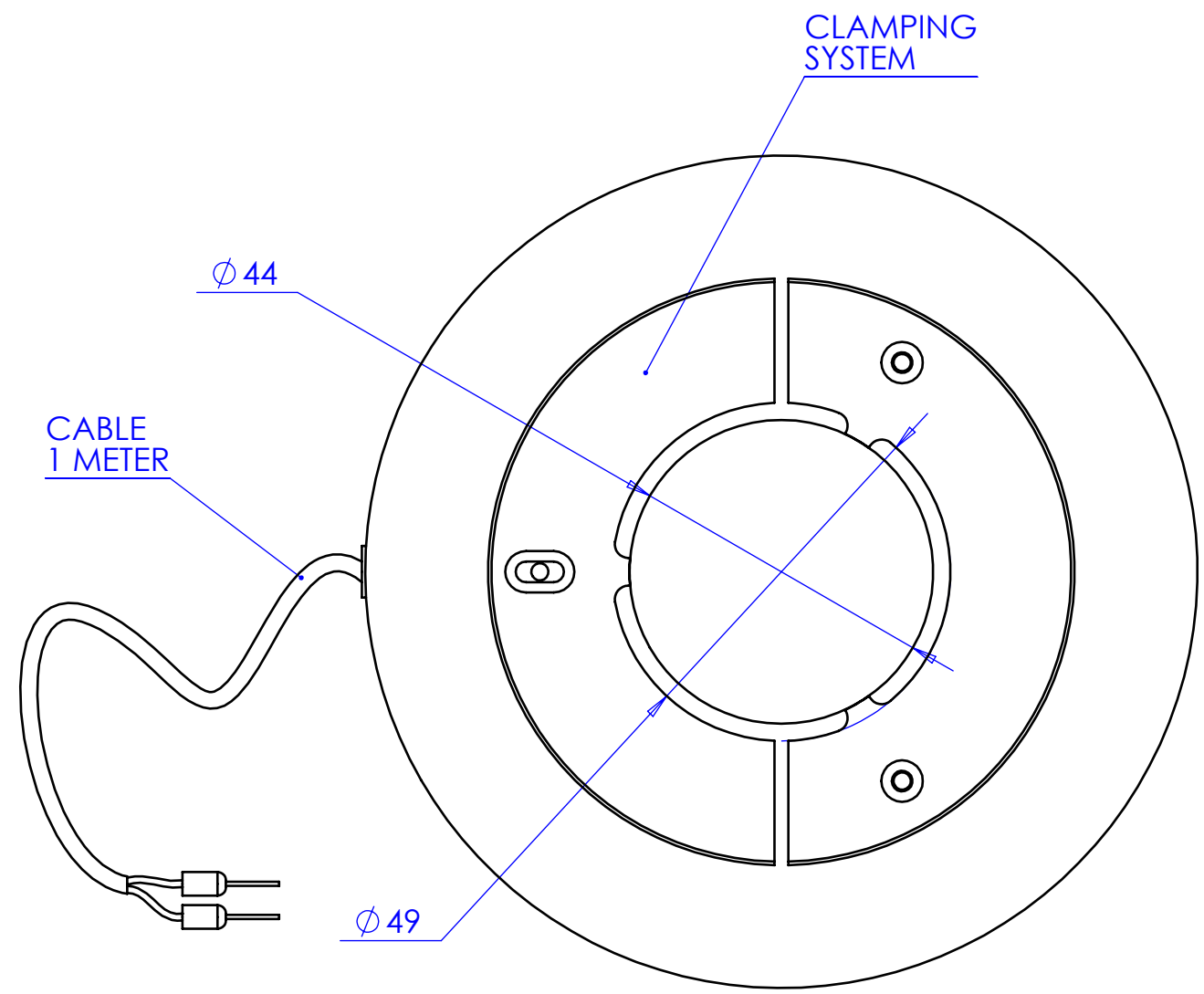


Rev No.	Description	Date	Name



Material	N.A.	Mass	187 g	Scale	1:1
Surface treatment	N.A.	Part No.	CO23439		
Geometrical tolerance (ISO 2768-2)	Class	K	Undimensioned bevels	0,5x45°	Description <b>LTRN024NW</b>
Linear tolerance (ISO 2768-2)	Class	m	Undimensioned radii	R 0.5	
0.5 ±3	>3± 6	>6± 30	>30± 120	>120 ±400	>400± 1000
±0.1	±0.1	±0.2	±0.3	±0.5	±0.8
					±1.2
					±2
	Date	Name	Drawing No.		
	Designed	16/12/2014	Rodella	DP 23439-A	
	Drawn	16/12/2014	Rodella	Sheet 1/1	
Checked			<i>Secret and confidential - All rights reserved - No copy, dissemination or circulation is allowed unless specifically authorized in writing by OPTO ENGINEERING S.r.l. - Any violation shall be legally prosecuted.</i>		
<b>OPTO ENGINEERING S.r.l. - Mantova Italy - Tel. +39 0376 699111 - www.opto-engineering.com</b>					

0 1 2 3 4 5 6 7 8 9 10