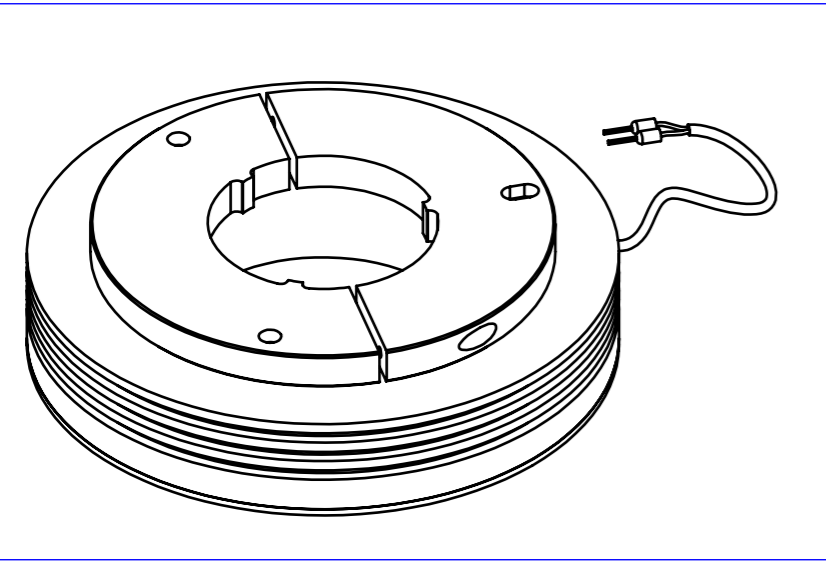
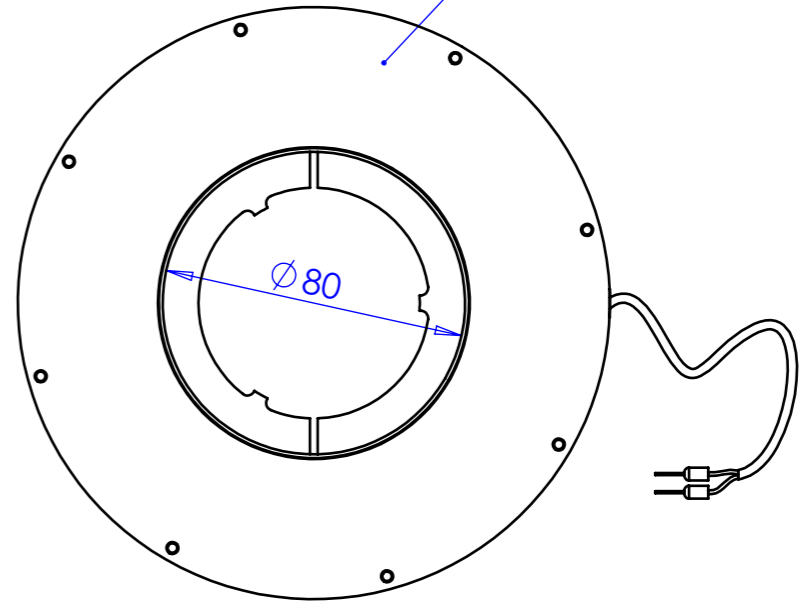
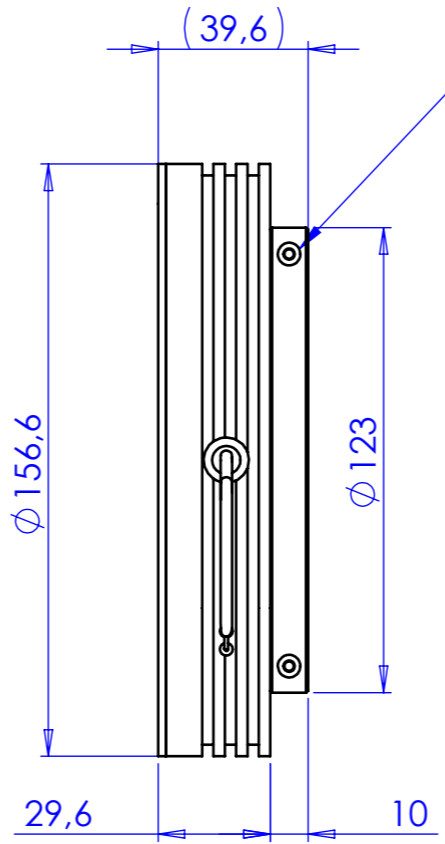
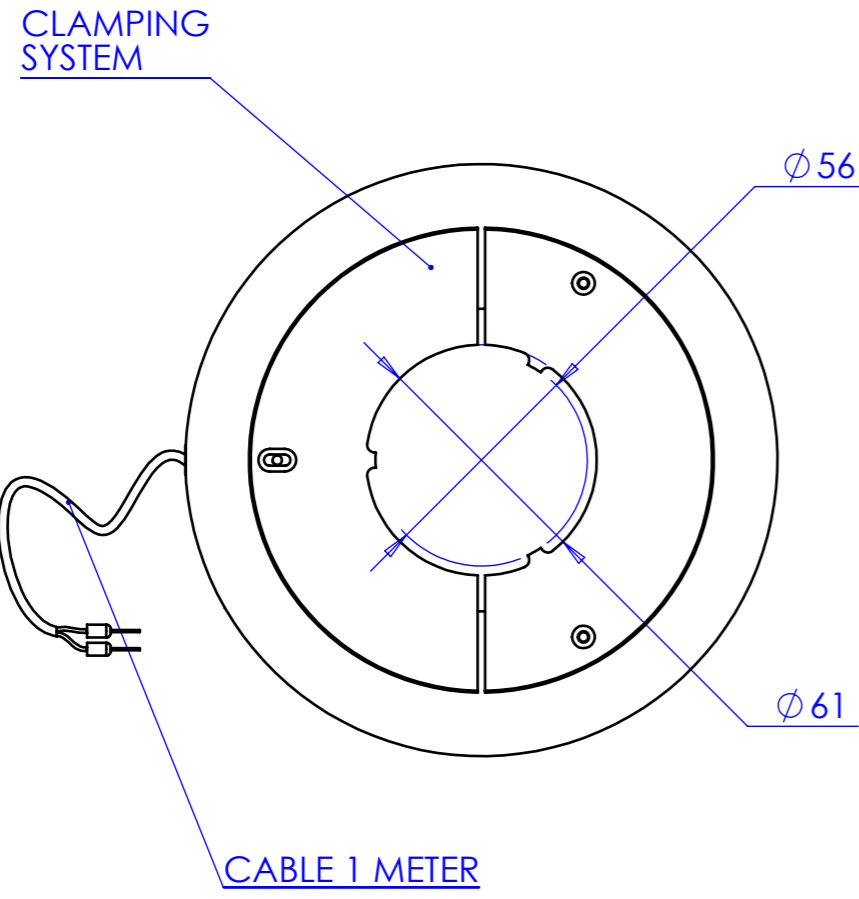


1 2 3 4 5 6 7 8

Rev No.	Description	Date	Name



Material	N.A.	Mass	301 g	Scale	1:2						
Surface treatment	N.A.	Part No.	CO23432								
Geometrical tolerance (ISO 2768-2)	Class	K	Undimensioned bevels	0,5x45°	Description <b>LTRN032RD</b>						
Linear tolerance (ISO 2768-2)	Class	m	Undimensioned radii	R 0.5							
0.5 ±3	>3± 6	>6± 30	>30± 120	>120 ±400	>400± 1000	>1000 ±2000	>2000 ±4000	Date	Name	Drawing No.	Sheet
±0.1	±0.1	±0.2	±0.3	±0.5	±0.8	±1.2	±2	16/12/2014	Rodella	DP 23432-A	1/1
								16/12/2014	Rodella		
<b>OPTO ENGINEERING S.r.l. - Mantova Italy - Tel. +39 0376 699111 - www.opto-engineering.com</b>								Checked		<i>Secret and confidential - All rights reserved - No copy, dissemination or circulation is allowed unless specifically authorized in writing by OPTO ENGINEERING S.r.l. - Any violation shall be legally prosecuted.</i>	

1 2 3 0 1 2 3 4 5 6 7 8 9 10 6 7 8