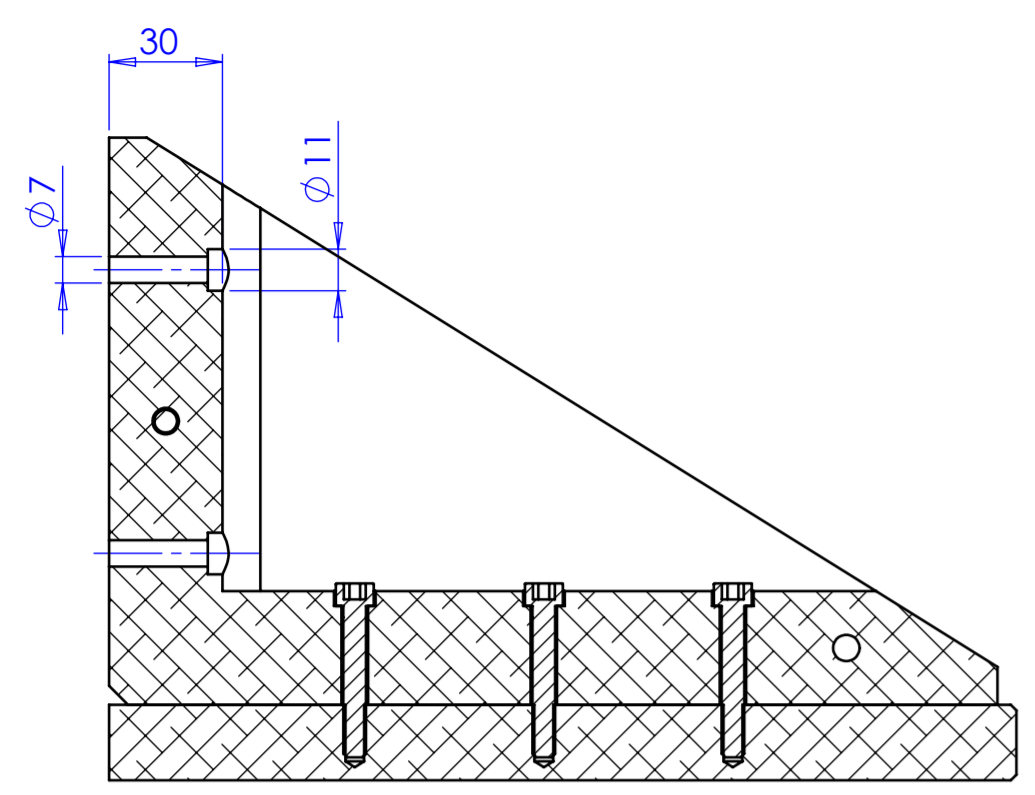
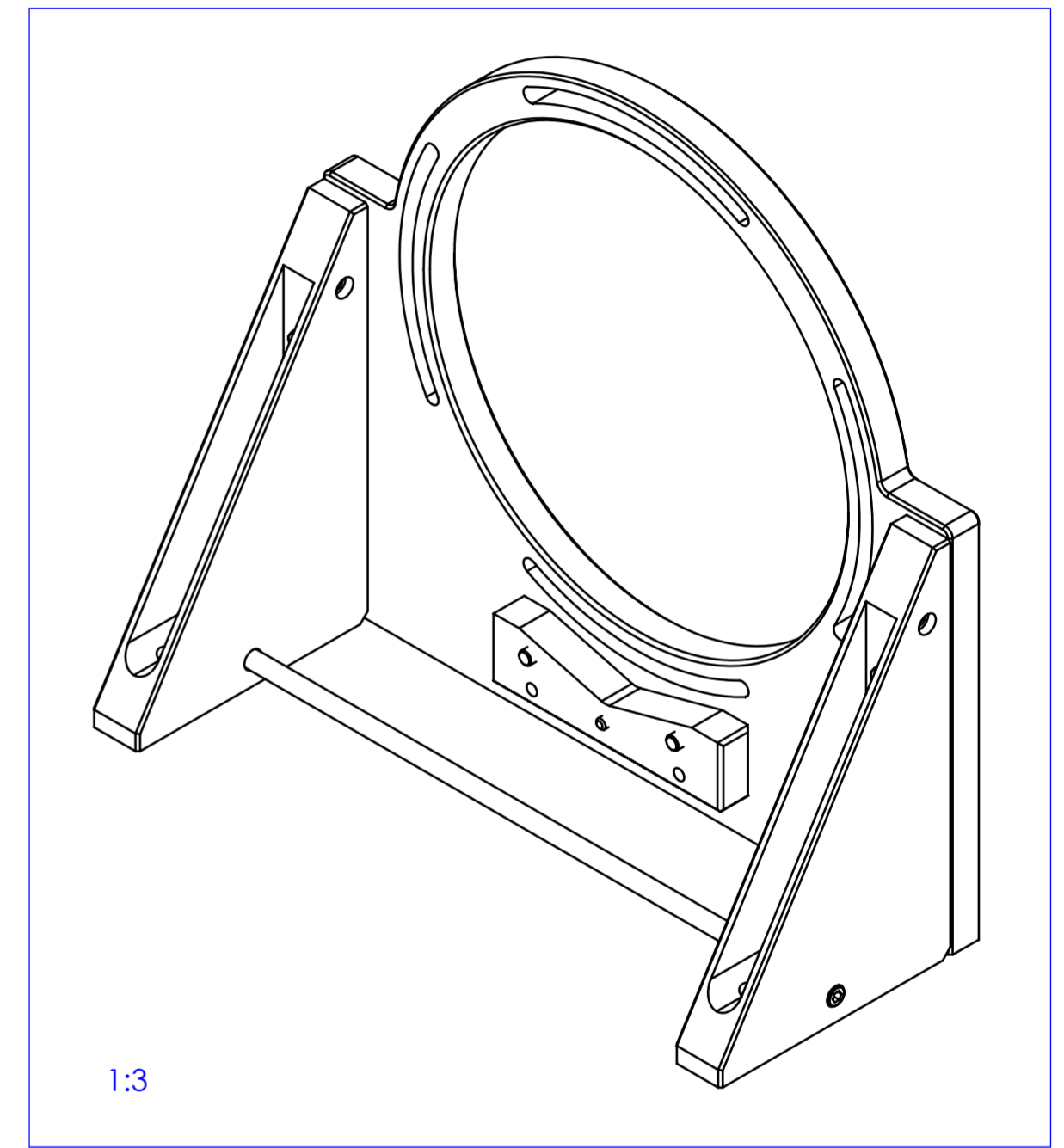
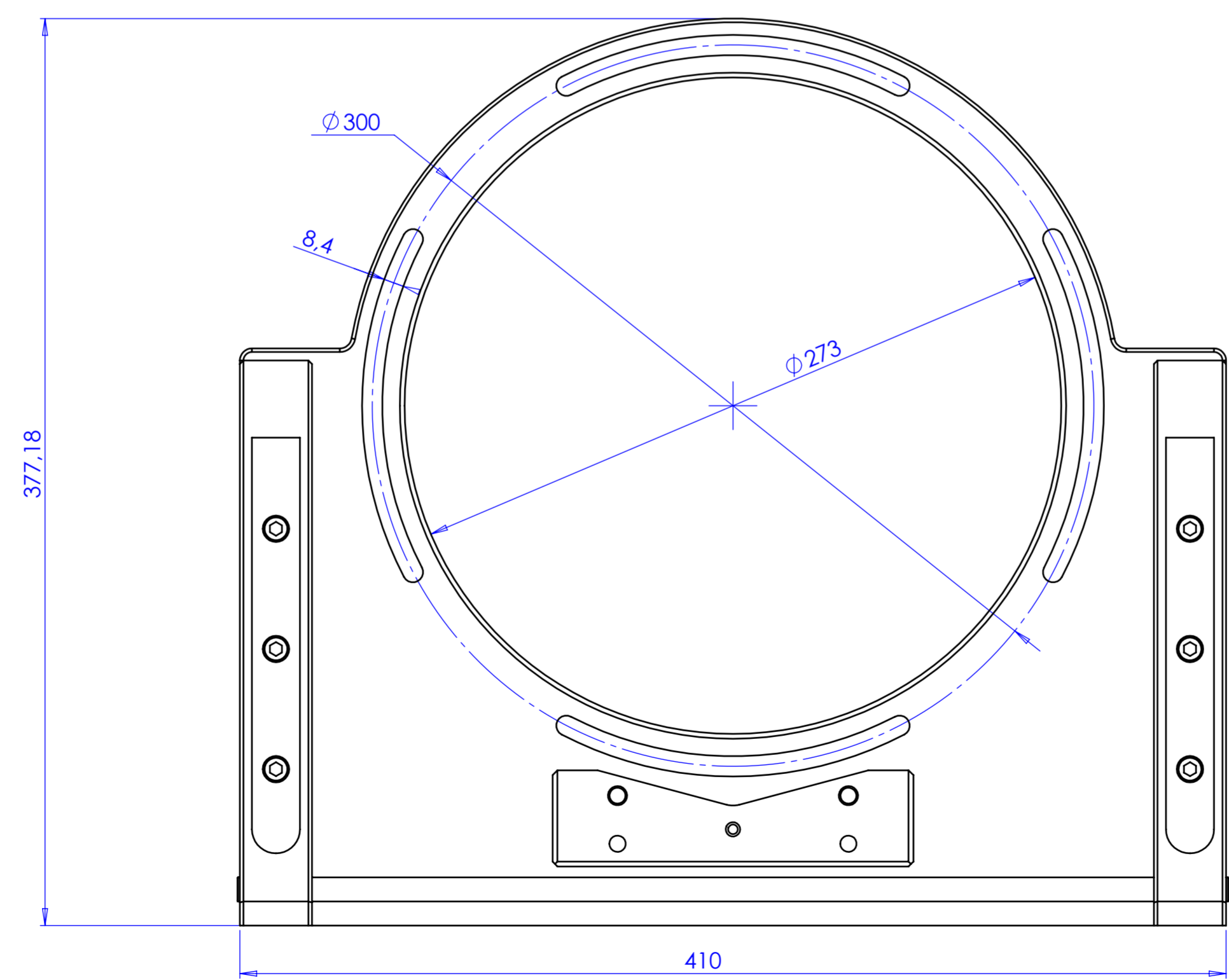
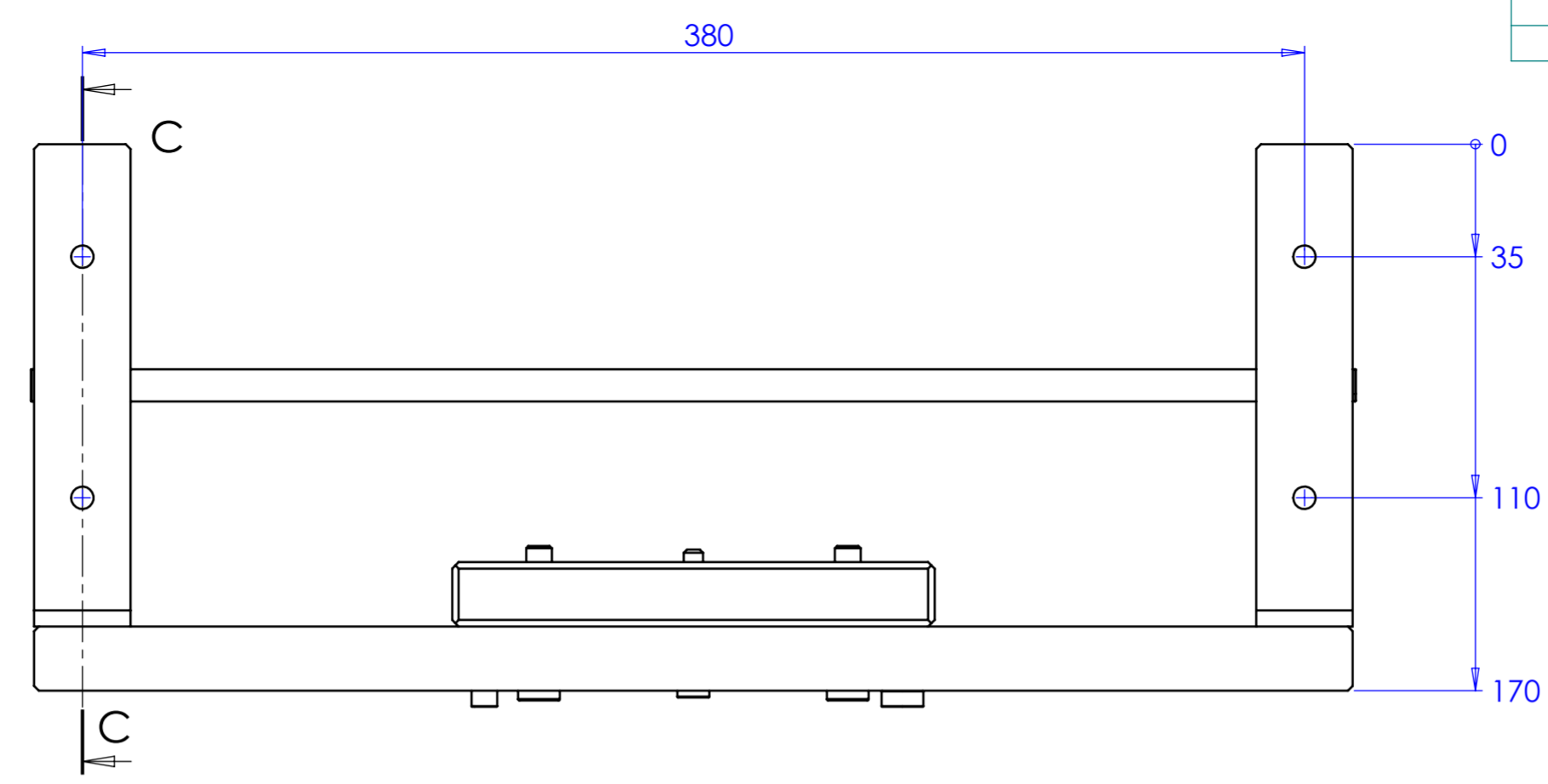


Rev No.	Description	Date	Name



SECTION C-C



Material	N.A.	Mass	6200 g	Scale	1:2								
Surface treatment	N.A.	Part No.	CO23191										
Geometrical tolerance (ISO 2768-2)	Class	K	Undimensioned bevels	0.5x45°	Description								
Linear tolerance (ISO 2768-2)	Class	m	Undimensioned radii	R 0.5	BIG TC CLAMP 240								
0.5 +3	>3+	>6+	>30+	>120	>400+	>1000	>2000	>4000	Date	Name	Drawing No.	Sheet	
±0.1	±0.1	±0.2	±0.3	±0.5	±0.8	±1.2	±2	±2	Designed	28/08/2014	Santini	DP 23191 -A	1/1
								Drawn	13/03/2015	Rodella			
OPTO ENGINEERING S.r.l. - Mantova Italy - Tel. +39 0376 699111 - www.opto-engineering.com								Checked					

Secret and confidential - All rights reserved -
 No copy, dissemination or circulation is allowed unless
 specifically authorized in writing by OPTO ENGINEERING
 S.r.l. - Any violation shall be legally prosecuted.