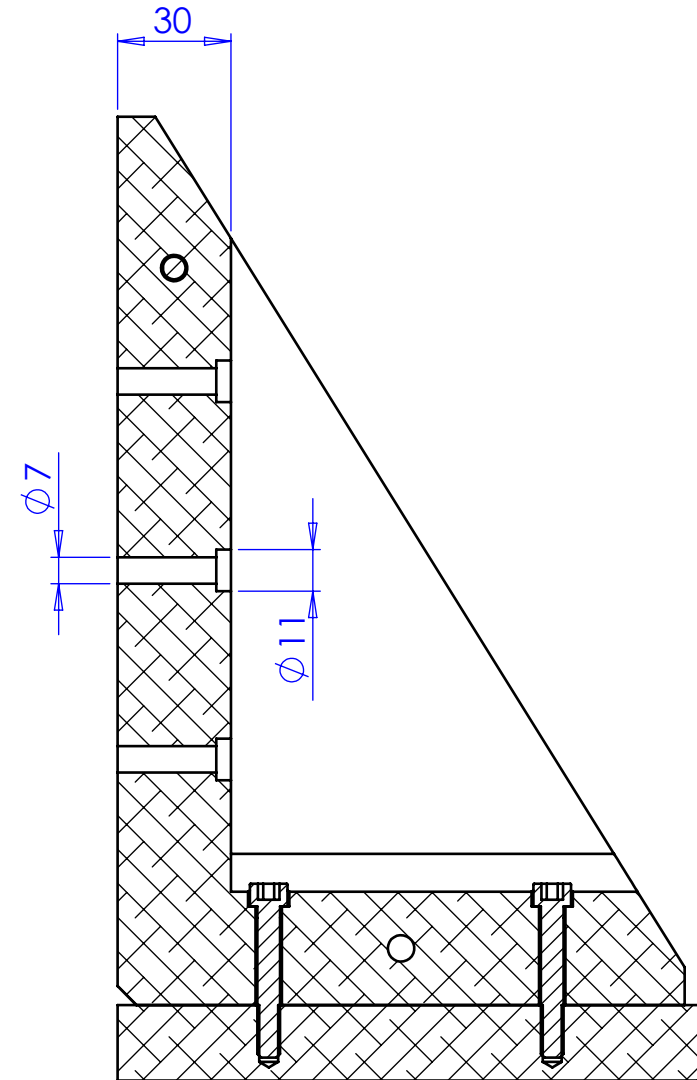
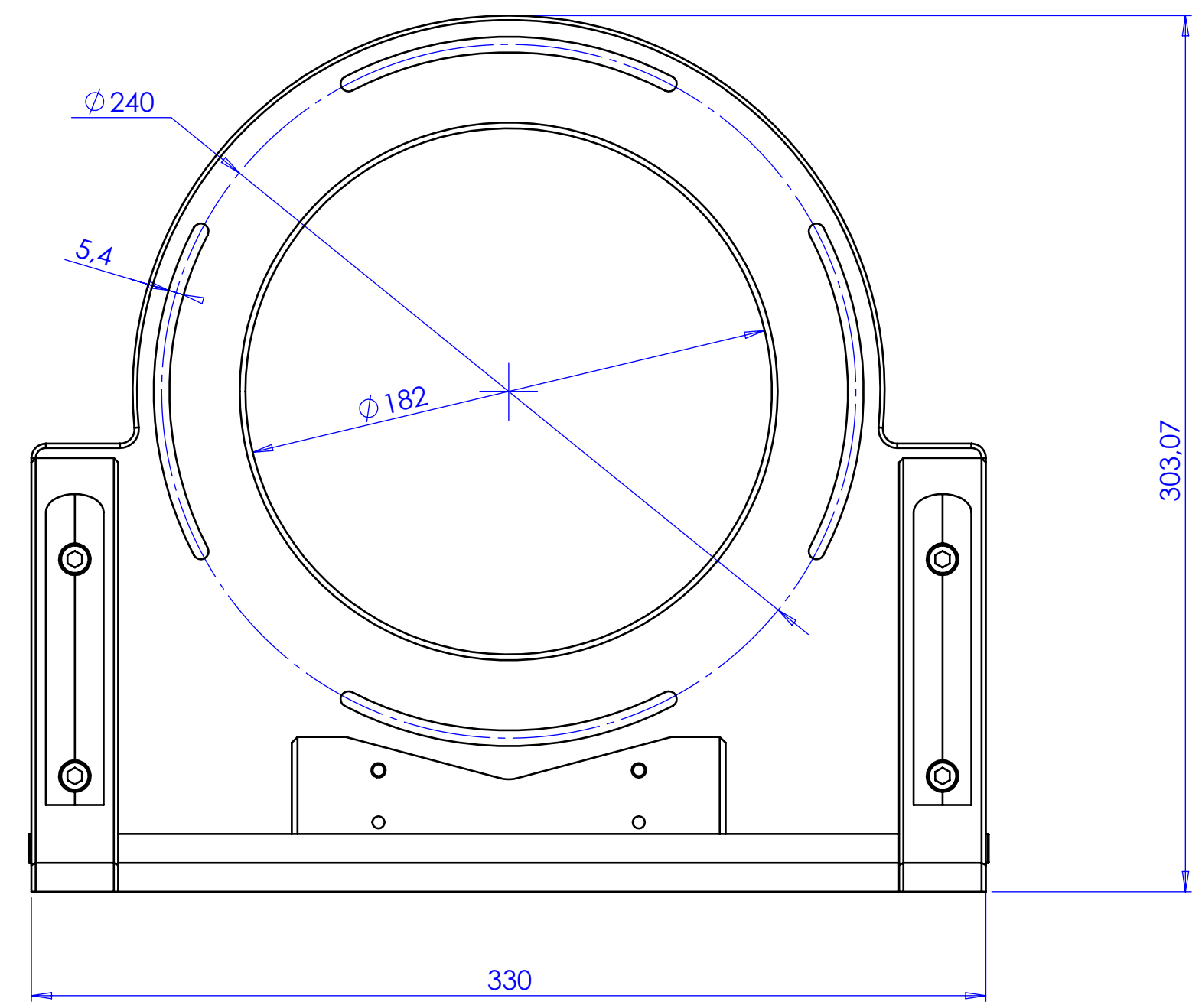
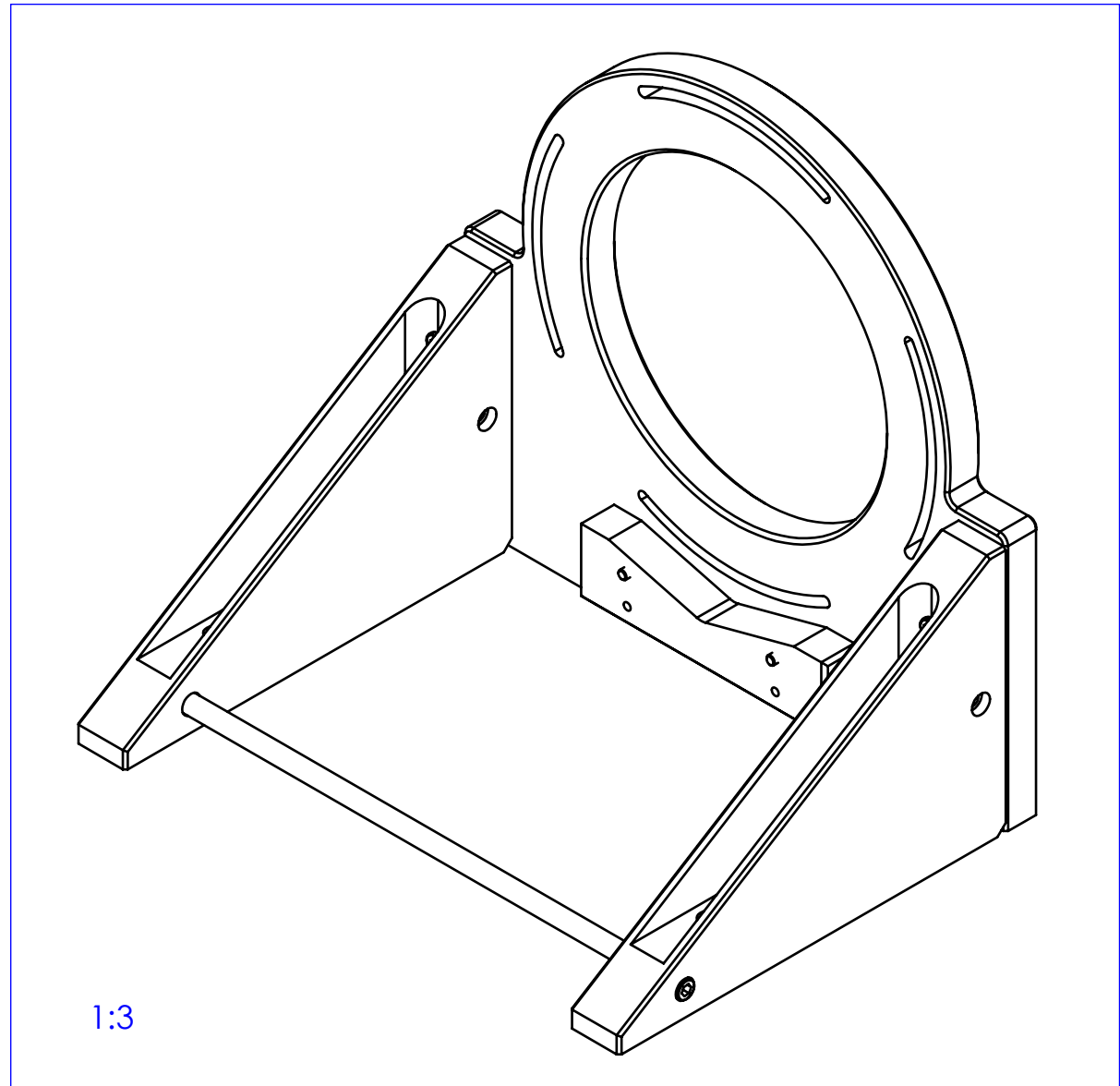
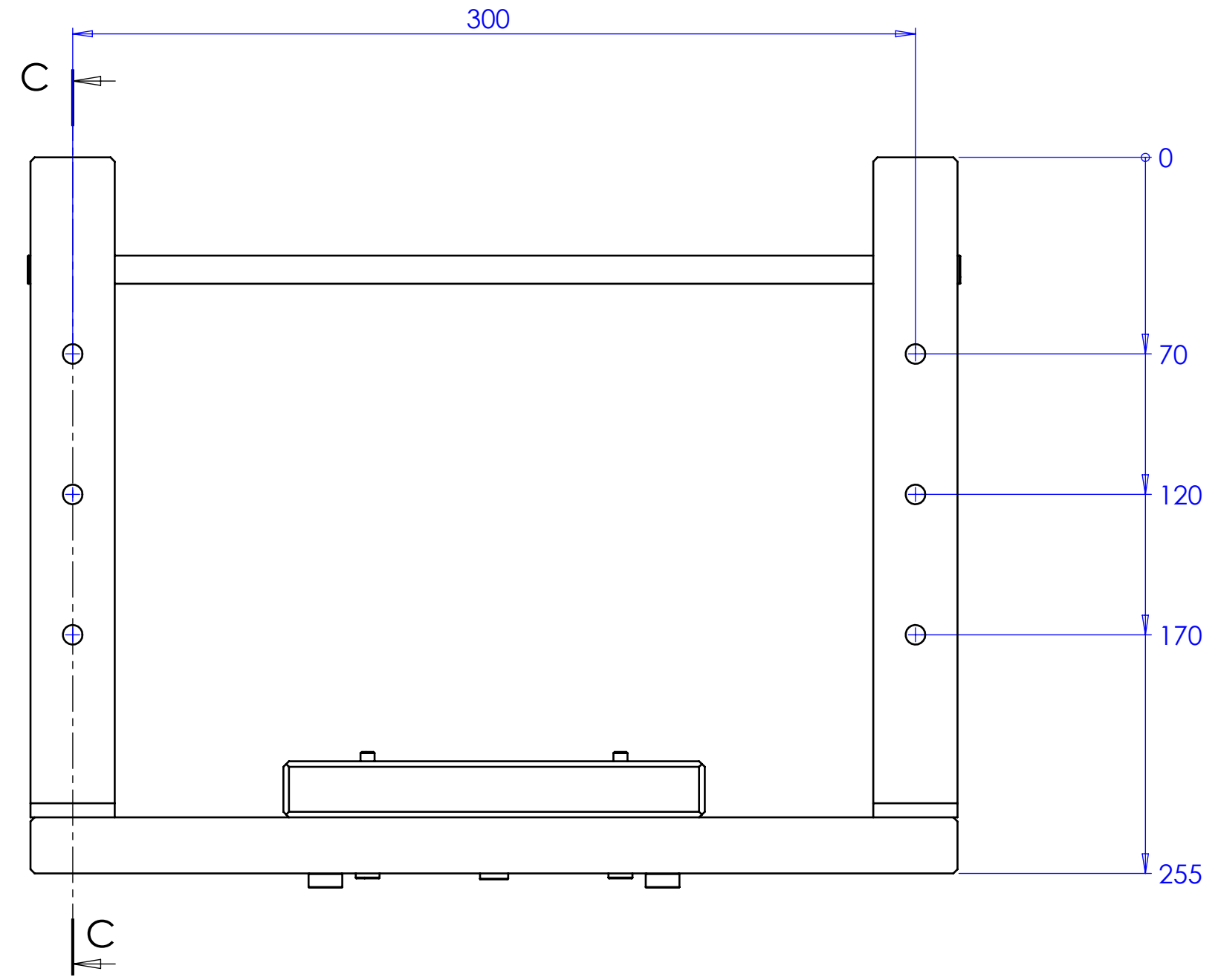


Rev No.	Description	Date	Name



SECTION C-C



Material	N.A.	Mass	5417 g	Scale	1:2							
Surface treatment	N.A.	Part No.	CO23190									
Geometrical tolerance (ISO 2768-2)	Class	K	Undimensioned bevels	0.5x45°	Description							
Linear tolerance (ISO 2768-2)	Class	m	Undimensioned radii	R 0.5	BIG TC CLAMP 192							
0.5 +3	>3+	>6+	>30+	>120	>400+	>1000	>2000	>4000	Date	Name	Drawing No.	Sheet
±0.1	±0.1	±0.2	±0.3	±0.5	±0.8	±1.2	±2	28/08/2014	Rodella	DP 23190-A	1/1	
										Drawn: 13/03/2015 Rodella Checked:		
OPTO ENGINEERING S.r.l. - Mantova Italy - Tel. +39 0376 699111 - www.opto-engineering.com										Secret and confidential - All rights reserved - No copy, dissemination or circulation is allowed unless specifically authorized in writing by OPTO ENGINEERING S.r.l. - Any violation shall be legally prosecuted.		

Technical drawing grid with alphanumeric labels (A-H, 1-8) and a coordinate system at the bottom (0-10).