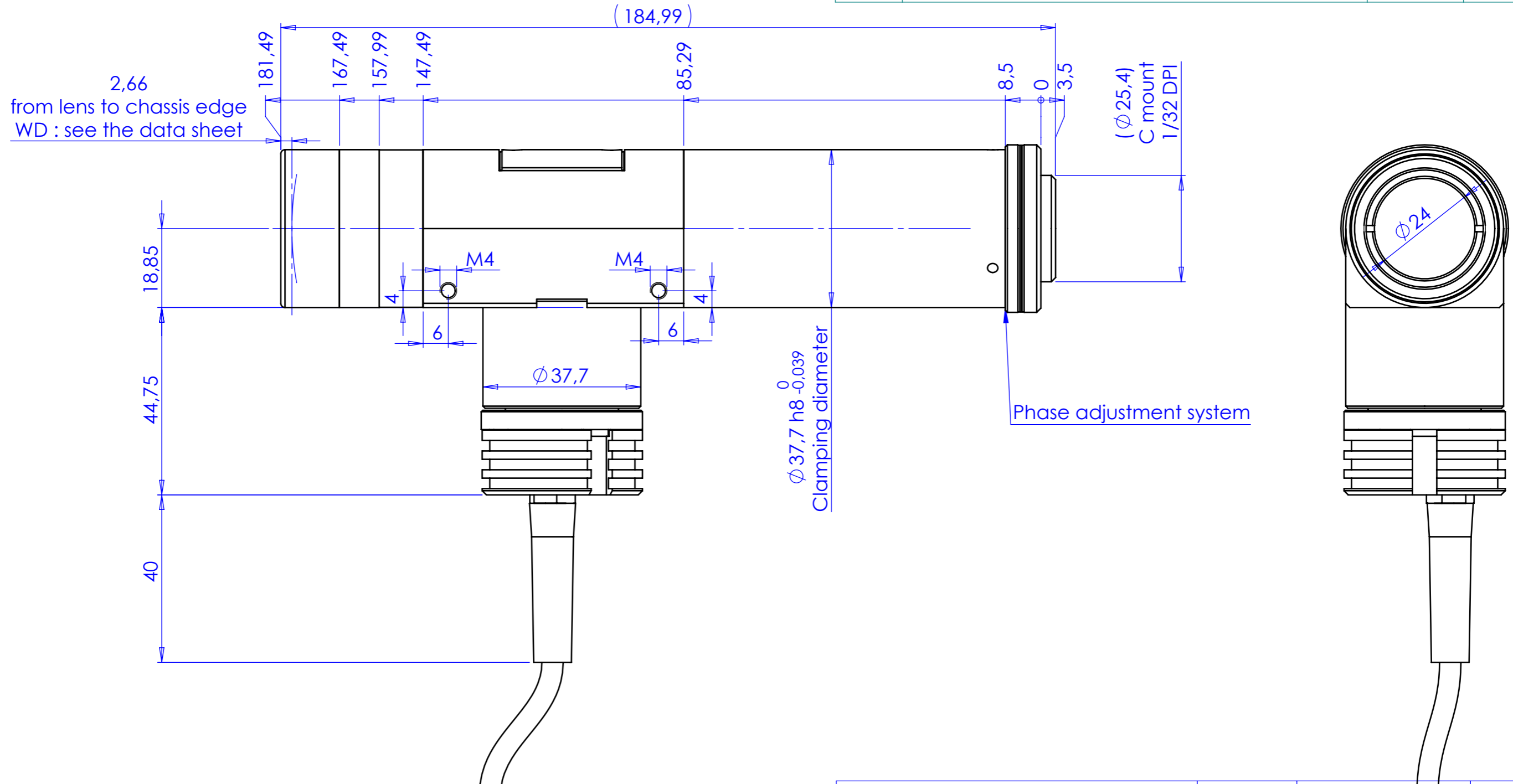


| Rev No. | Description | Date | Name |
|---------|-------------|------|------|
|         |             |      |      |
|         |             |      |      |



|   |          |           |                      |              |               |                |
|---|----------|-----------|----------------------|--------------|---------------|----------------|
| Material  | N.A.     |           | Mass                 | 584 g        | Scale         | 1:1            |
| Surface treatment   | N.A.     |           | Part No.             | CO23095      |               |                |
| Geometrical tolerance (ISO 2768-2)  | Class    | K         | Undimensioned bevels | 0.5x45°      |               |                |
| Linear tolerance (ISO 2768-2)   | Class    | m         | Undimensioned radii  | R 0.5        |               |                |
| 0.5<br>±3   | >3±<br>6 | >6±<br>30 | >30±<br>120          | >120<br>±400 | >400±<br>1000 | >1000<br>±2000 |
| ±0.1  | ±0.1     | ±0.2      | ±0.3                 | ±0.5         | ±0.8          | ±1.2           |
|   |          |           | Date                 | Name         | Drawing No.   | Sheet          |
|   |          |           | Designed             | 04/04/2014   | Santini       | DP 23095-A     |
|   |          |           | Drawn                | 30/07/2014   | Rodella       |                |
|   |          |           | Checked              |              |               |                |
| <b>OPTO ENGINEERING S.r.l. - Mantova Italy - Tel. +39 0376 699111 - www.opto-engineering.com</b>  |          |           |                      |              |               |                |
| <i>Secret and confidential - All rights reserved - No copy, dissemination or circulation is allowed unless specifically authorized in writing by OPTO ENGINEERING S.r.l. - Any violation shall be legally prosecuted.</i> |          |           |                      |              |               |                |

all dimensions are in mm