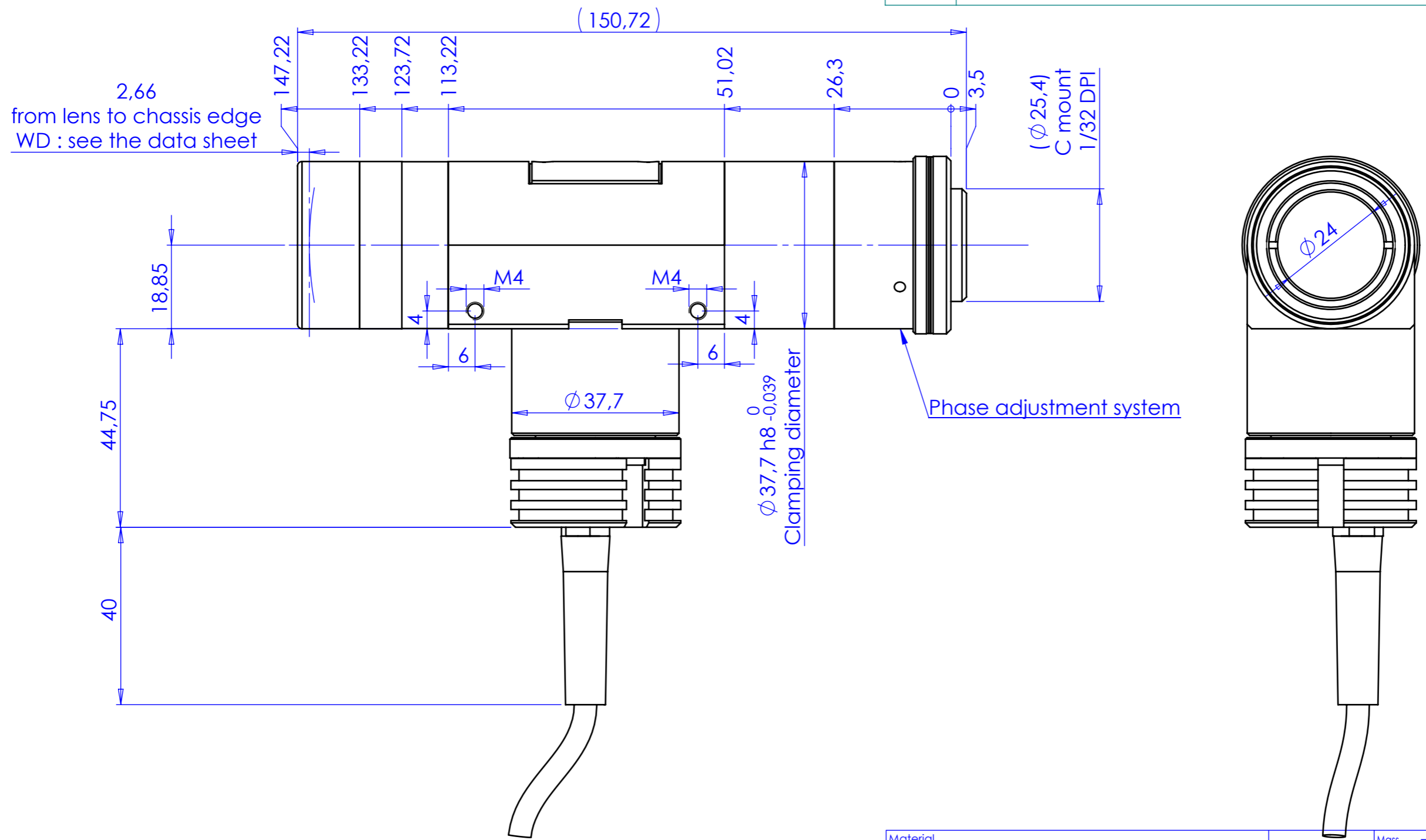


Rev No.	Description	Date	Name



Material		N.A.		Mass		527 g		Scale		1:1			
Surface treatment		N.A.		Part No.		CO23093							
Geometrical tolerance (ISO 2768-2)								Class		K		Description	
Linear tolerance (ISO 2768-2)								Class		m		Undimensioned bevels	
0.5 ±3								>3± 6		>6± 30		0.5x45°	
>30± 120								>120 ±400		>400± 1000		Undimensioned radii	
>1000 ±2000								>2000 ±4000		R 0.5		TCCX 150-W	
±0.1								±0.1		±0.2		Drawing No.	
±0.3								±0.5		±0.8		DP 23093-A	
±1.2								±2		Date		Sheet	
								Designed		04/04/2014		Santini	
								Drawn		30/07/2014		Rodella	
								Checked					
 OPTO ENGINEERING <small>THE TELECENTRIC COMPANY</small>								OPTO ENGINEERING S.r.l. - Mantova Italy - Tel. +39 0376 699111 - www.opto-engineering.com				<i>Secret and confidential - All rights reserved - No copy, dissemination or circulation is allowed unless specifically authorized in writing by OPTO ENGINEERING S.r.l. - Any violation shall be legally prosecuted.</i>	

A
B
C
D

A
B
C
D

1 2 3 4 5 6 7 8 9 10 6 7 8