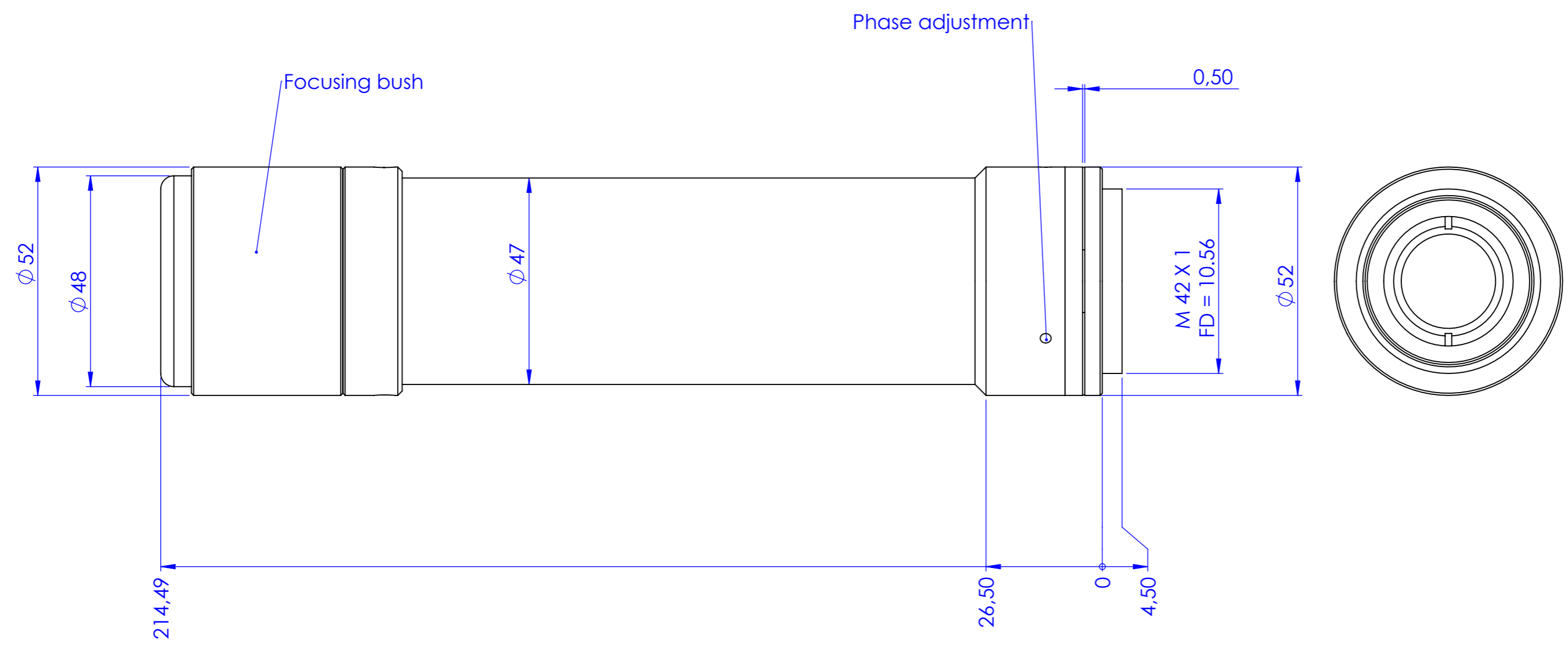


Rev No.	Description	Date	Name



Material	N.A.		Mass	629.22 g	Scale	1:1	
Surface treatment	N.A.		Part No.	CO23012			
Geometrical tolerance (ISO 2768-2)			Class	K	Undimensioned bevels	0.5x45°	
Linear tolerance (ISO 2768-2)			Class	m	Undimensioned radii	R 0.5	
0.5 ±3	>3÷ 6	>6÷ 30	>30÷ 120	>120 ±400	>400÷ 1000	>1000 ±2000	>2000 ±4000
±0.1	±0.1	±0.2	±0.3	±0.5	±0.8	±1.2	±2
 OPTO ENGINEERING THE TELECENTRIC COMPANY			Date	Name	Drawing No.	Sheet	
			Designed	04/06/2014	Bna	DP 23012-A	1/1
			Drawn	19/06/2014	Bna		
all dimensions are in mm			Checked		Secret and confidential - All rights reserved - No copy, dissemination or circulation is allowed unless specifically authorized in writing by OPTO ENGINEERING S.r.l. - Any violation shall be legally prosecuted.		
OPTO ENGINEERING S.r.l. - Mantova Italy - Tel. +39 0376 699111 - www.opto-engineering.com							