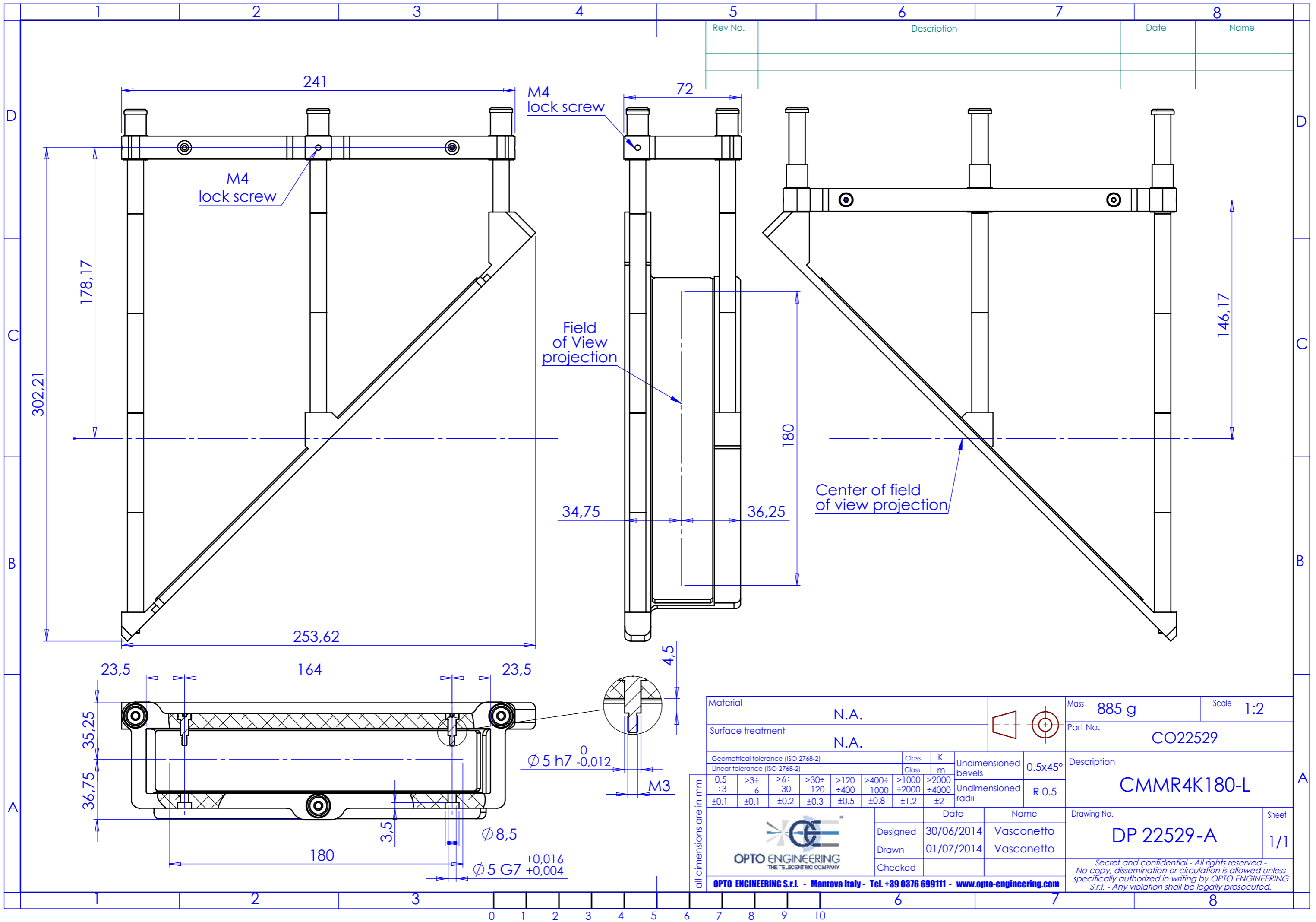


Rev No.	Description	Date	Name



Material	N.A.			Mass	885 g	Scale	1:2
Surface treatment	N.A.			Part No.	CO22529		
Geometrical tolerance (ISO 2768-2)				Class	K	Undimensioned bevels	0,5x45°
Linear tolerance (ISO 2768-2)				Class	m	Undimensioned radii	R 0,5
0,5	>3	>6	>30	>120	>400	>1000	>2000
±3	±6	±30	±120	±400	±1000	±2000	±4000
±0,1	±0,1	±0,2	±0,3	±0,5	±0,8	±1,2	±2
all dimensions are in mm				Date	Name		Drawing No.
				Designed	30/06/2014	Vasconetto	Sheet
				Drawn	01/07/2014	Vasconetto	1/1
				Checked			
<b>OPTO ENGINEERING S.r.l. - Mantova Italy - Tel. +39 0376 699111 - www.opto-engineering.com</b>				Description <b>CMMR4K180-L</b>			
				Drawing No. <b>DP 22529-A</b>			
Secret and confidential - All rights reserved - No copy, dissemination or circulation is allowed unless specifically authorized in writing by OPTO ENGINEERING S.r.l. - Any violation shall be legally prosecuted.							