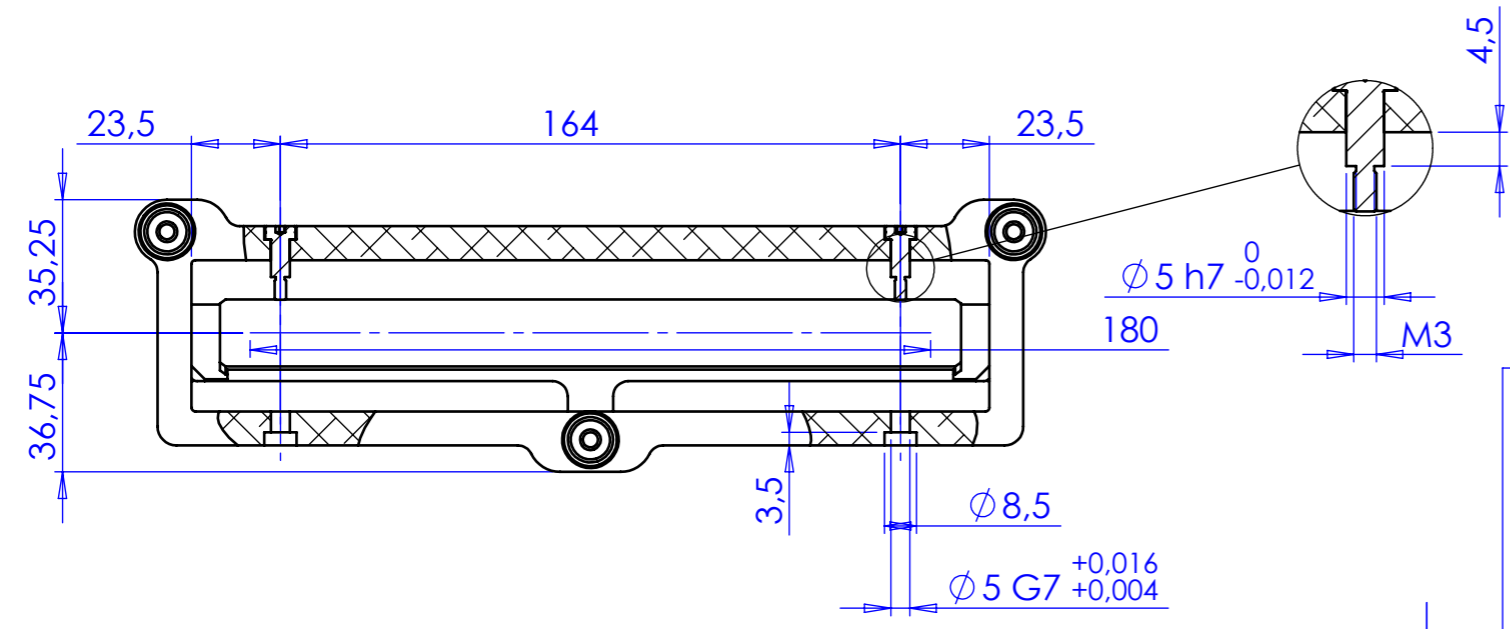
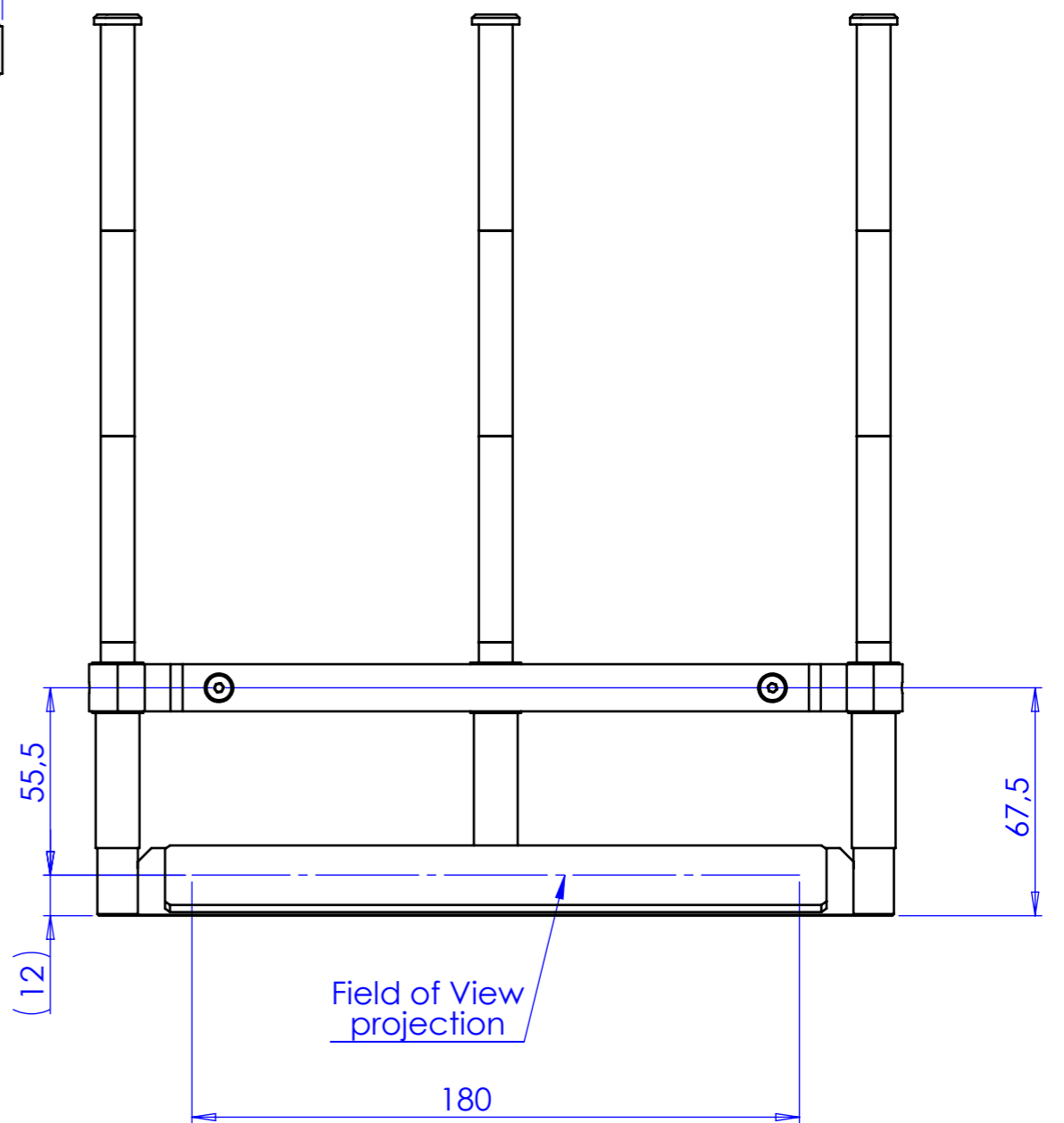
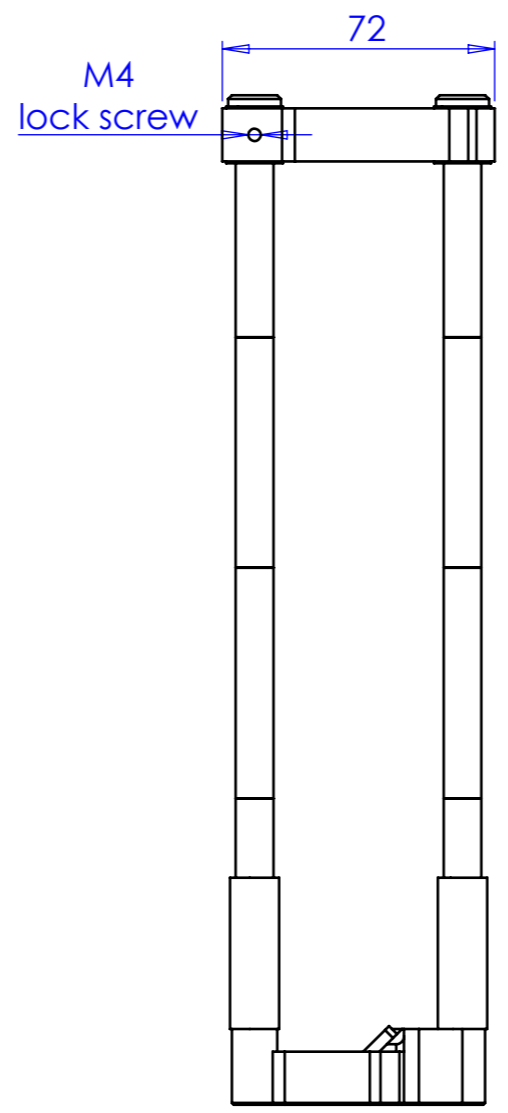
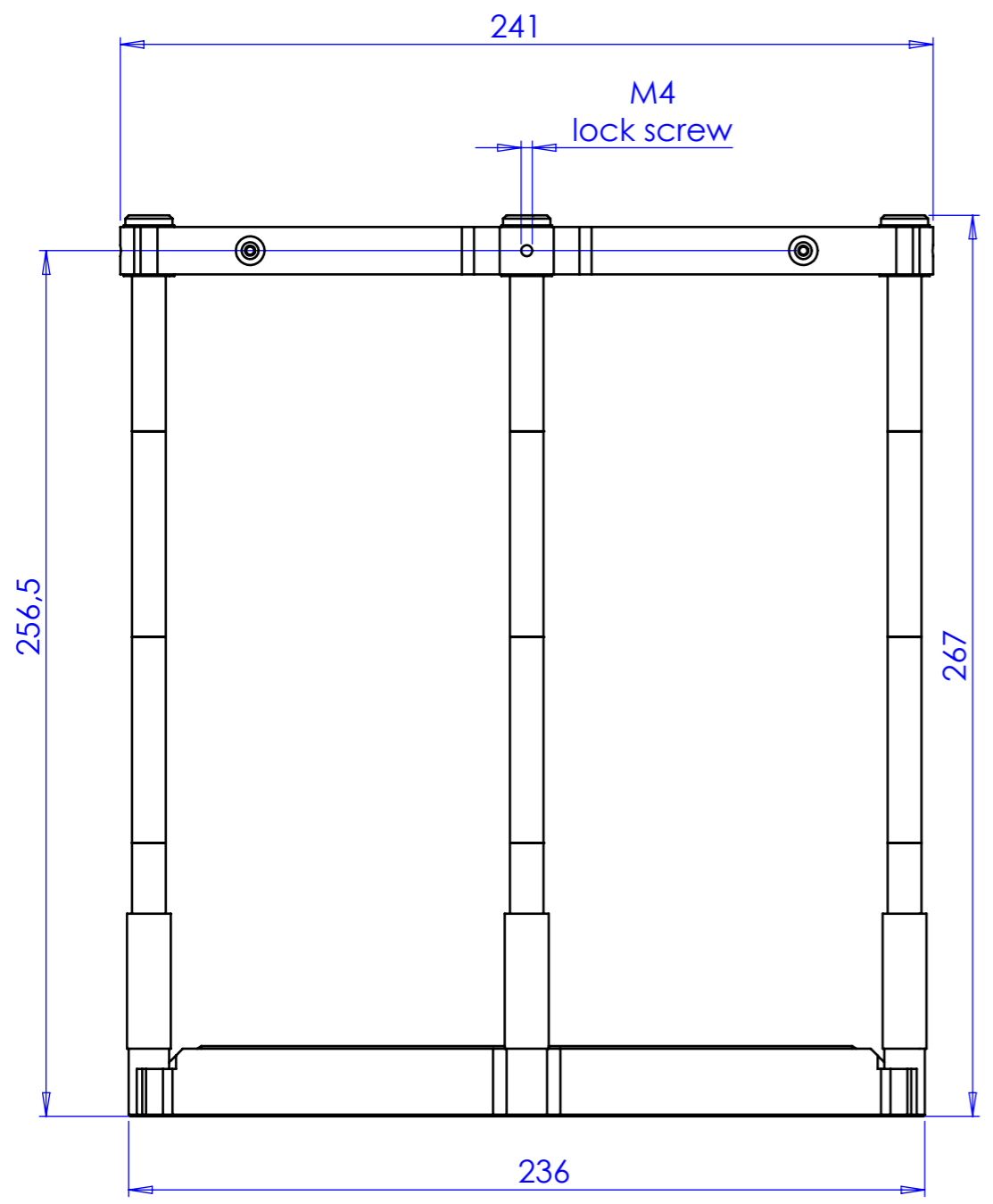


Rev No.	Description	Date	Name

D
C
B
A

D
C
B
A



Material		N.A.		Mass		866 g		Scale		1:2	
Surface treatment		N.A.		Part No.		CO22528					
Geometrical tolerance (ISO 2768-2)				Class		K		Undimensioned bevels		0.5x45°	
Linear tolerance (ISO 2768-2)				Class		m		Undimensioned radii		R 0.5	
0.5 ±3		>3÷6 ±0.1		>6÷30 ±0.2		>30÷120 ±0.3		>120 ±0.5		>400±1000 ±0.8	
>1000 ±2.000		>2000 ±4.000		±1.2		±2		Date		Name	
Designed		30/06/2014		Vasconetto		Drawing No.		Sheet		1/1	
Drawn		30/06/2014		Vasconetto		DP 22528-A		Secret and confidential - All rights reserved - No copy, dissemination or circulation is allowed unless specifically authorized in writing by OPTO ENGINEERING S.r.l. - Any violation shall be legally prosecuted.			
Checked						OPTO ENGINEERING S.r.l. - Mantova Italy - Tel. +39 0376 699111 - www.opto-engineering.com					

all dimensions are in mm