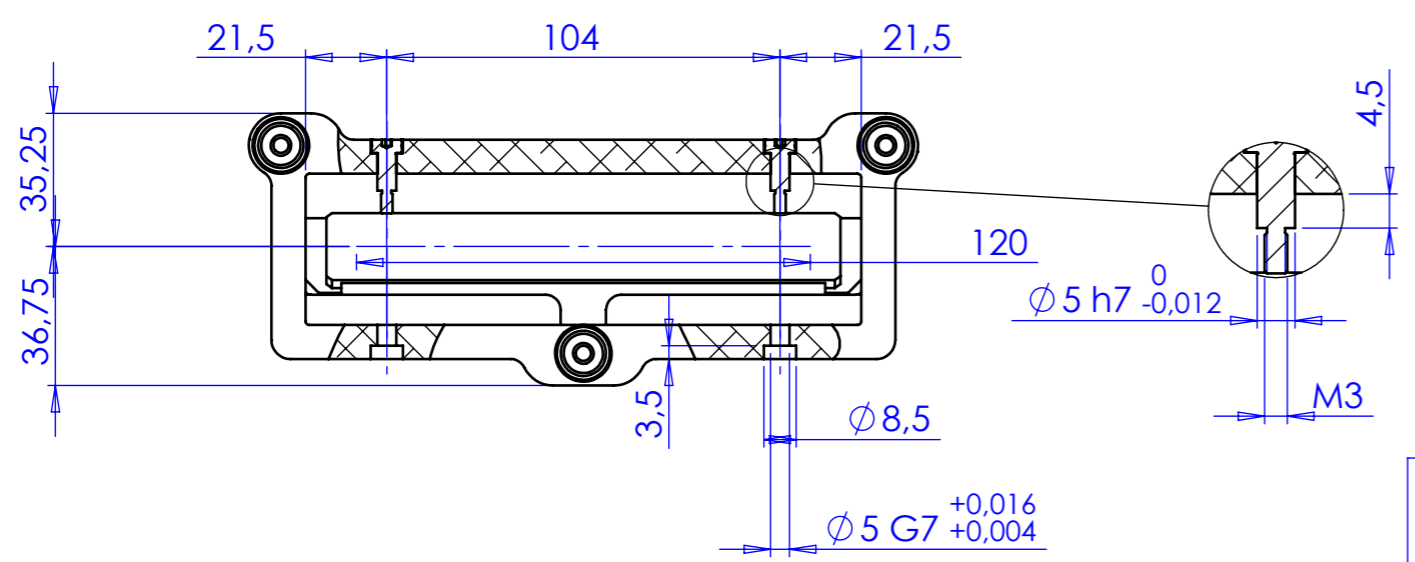
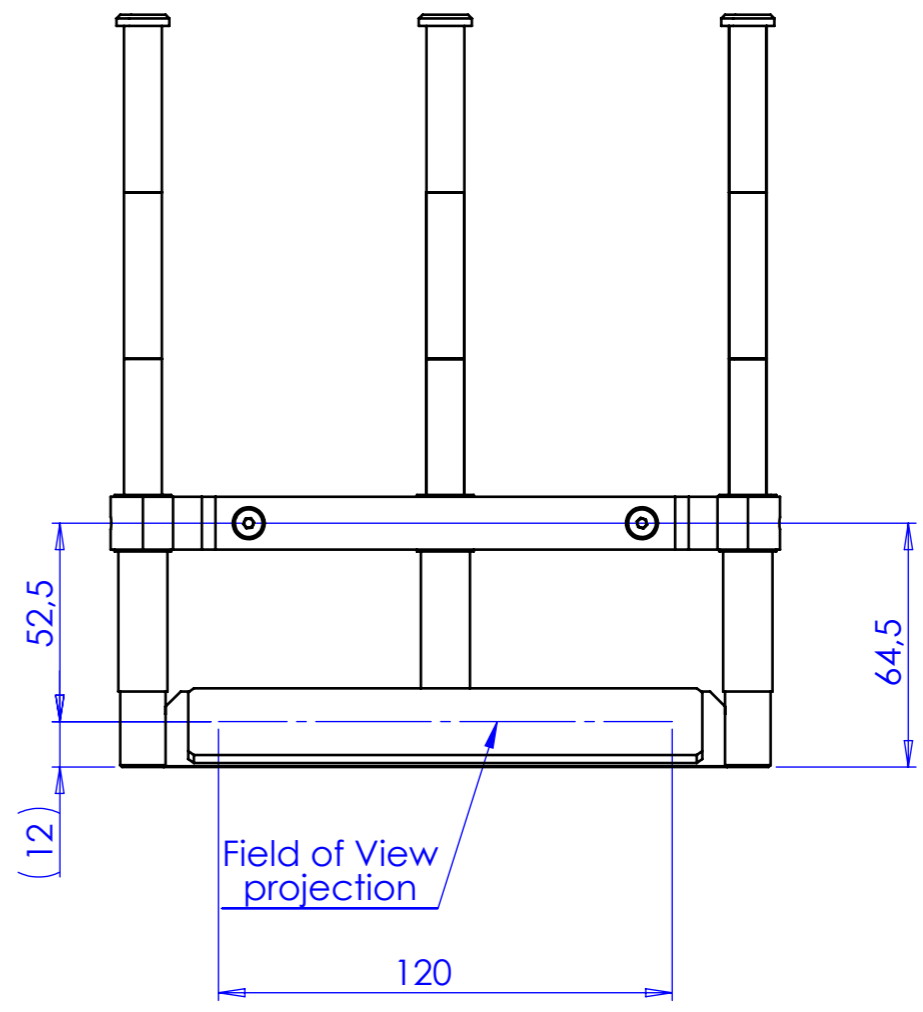
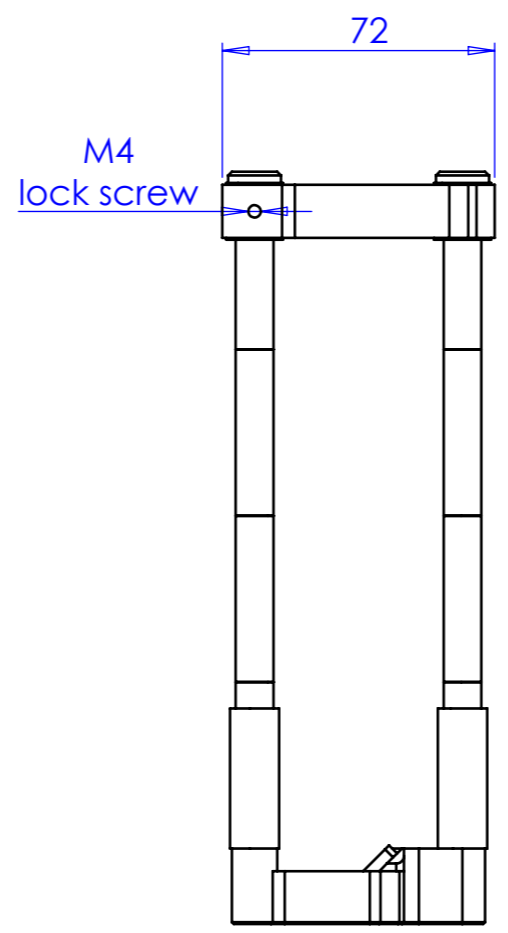
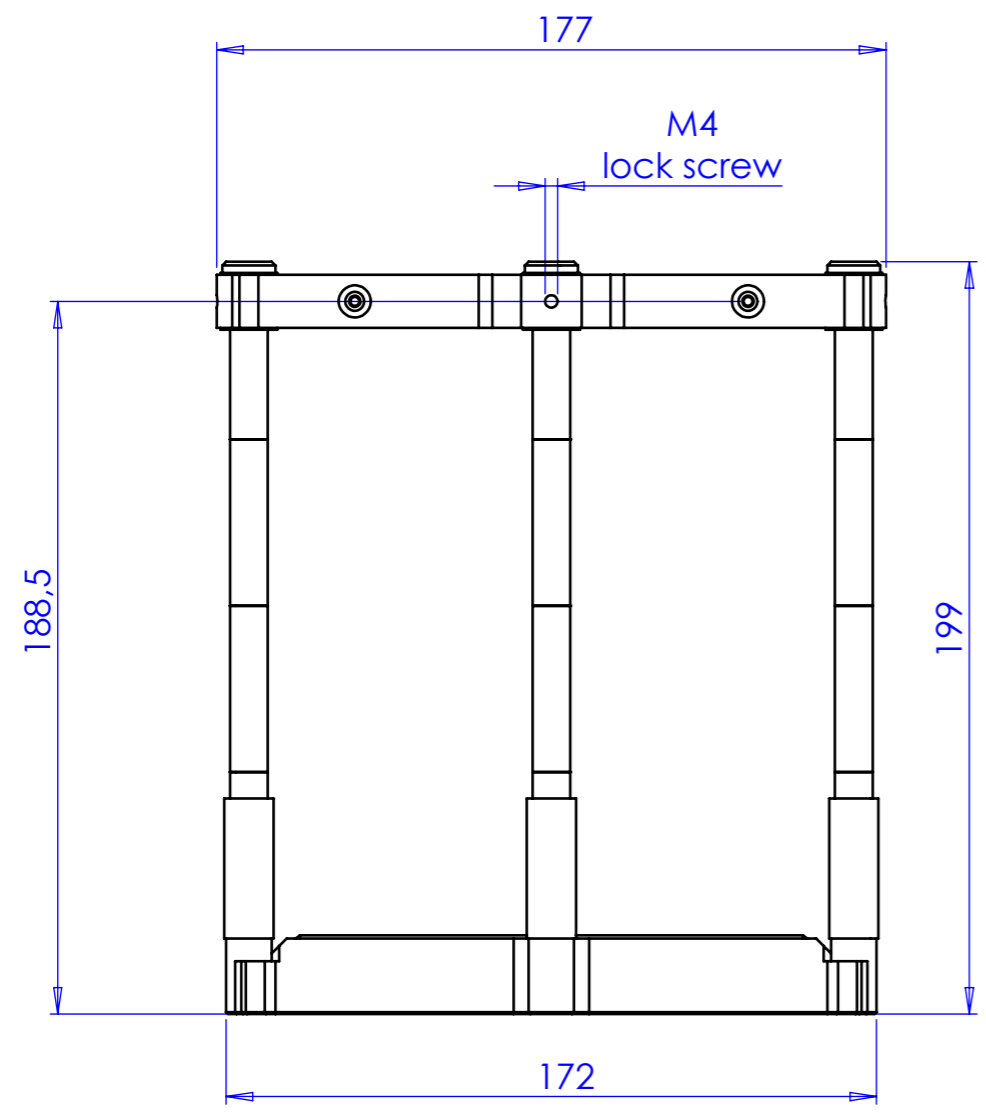


| Rev No. | Description | Date | Name |
|---------|-------------|------|------|
|         |             |      |      |
|         |             |      |      |



|  |      |       |            |            |                      |             |
|--|------|-------|------------|------------|----------------------|-------------|
| Material   | N.A. |       | Mass       | 783 g      | Scale                | 1:2         |
| Surface treatment  | N.A. |       | Part No.   | CO22526    |                      |             |
| Geometrical tolerance (ISO 2768-2)   |      |       | Class      | K          | Undimensioned bevels | 0.5x45°     |
| Linear tolerance (ISO 2768-2)  |      |       | Class      | m          | Undimensioned radii  | R 0.5       |
| 0.5 ±3   | >3±6 | >6±30 | >30±120    | >120 ±400  | >400±1000            | >1000 ±2000 |
| ±0.1   | ±0.1 | ±0.2  | ±0.3       | ±0.5       | ±0.8                 | ±1.2        |
|  |      |       | Date       | Name       | Drawing No.          | Sheet       |
| Designed 30/06/2014 Vasconetto<br>Drawn 30/06/2014 Vasconetto<br>Checked   |      |       | 30/06/2014 | Vasconetto | DP 22526-A           | 1/1         |
| OPTO ENGINEERING S.r.l. - Mantova Italy - Tel. +39 0376 699111 - www.opto-engineering.com  |      |       |            |            |                      |             |
| Secret and confidential - All rights reserved - No copy, dissemination or circulation is allowed unless specifically authorized in writing by OPTO ENGINEERING S.r.l. - Any violation shall be legally prosecuted. |      |       |            |            |                      |             |