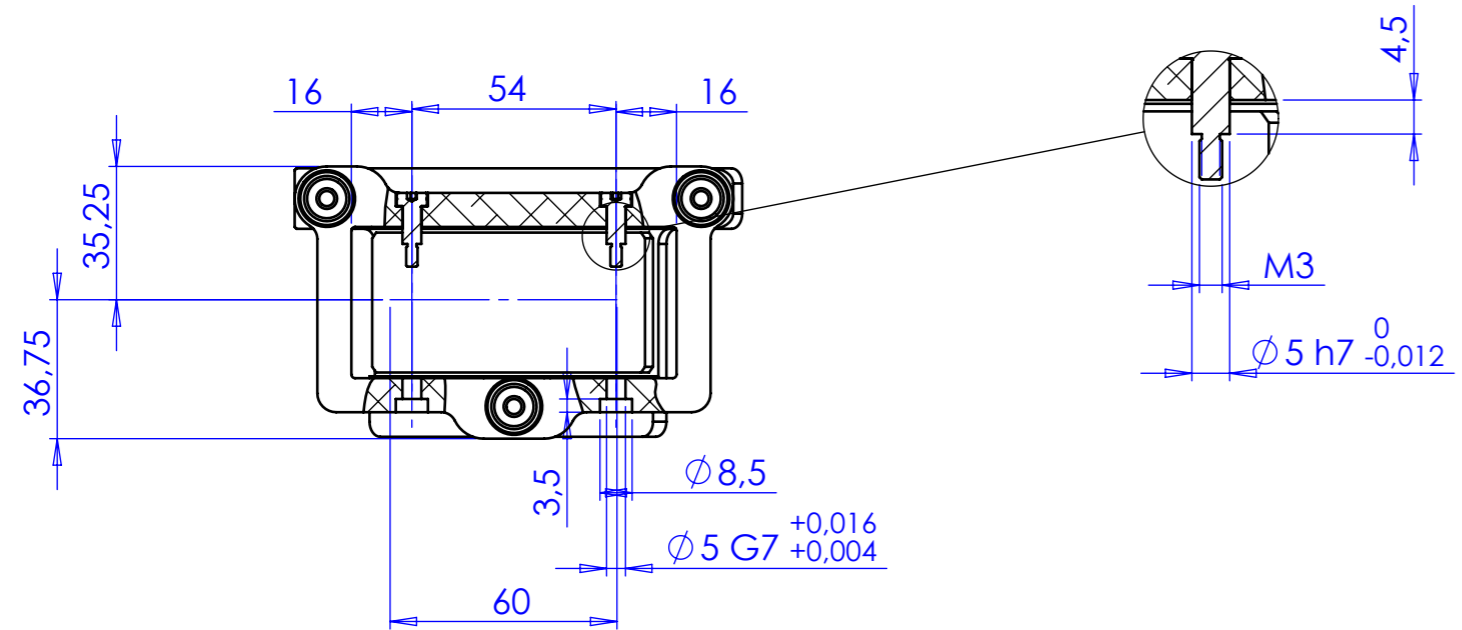
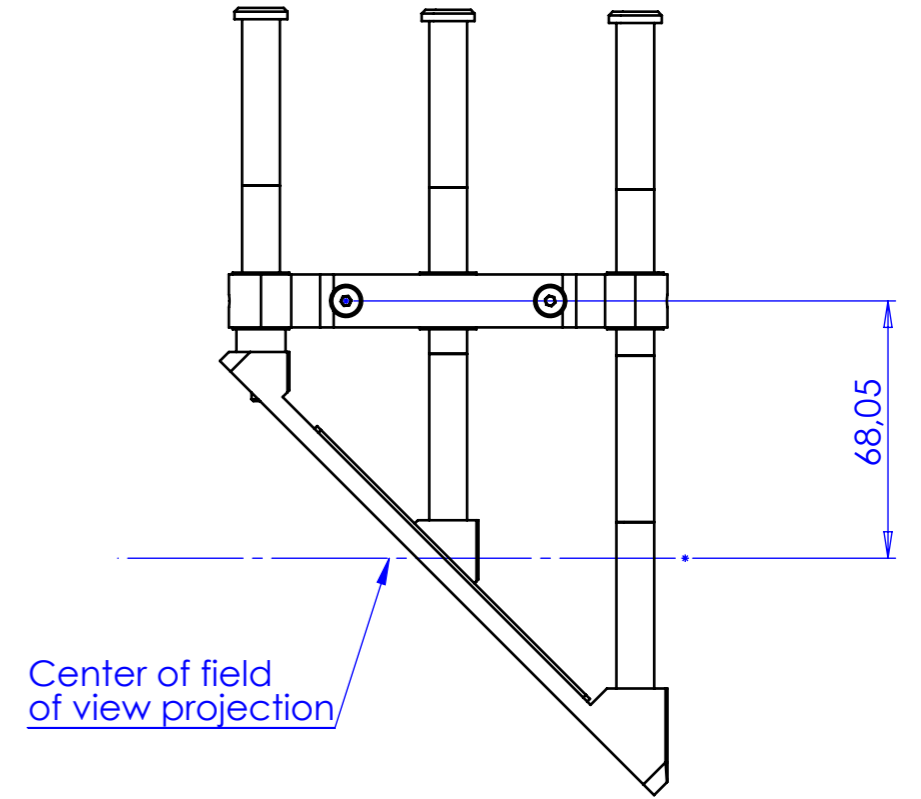
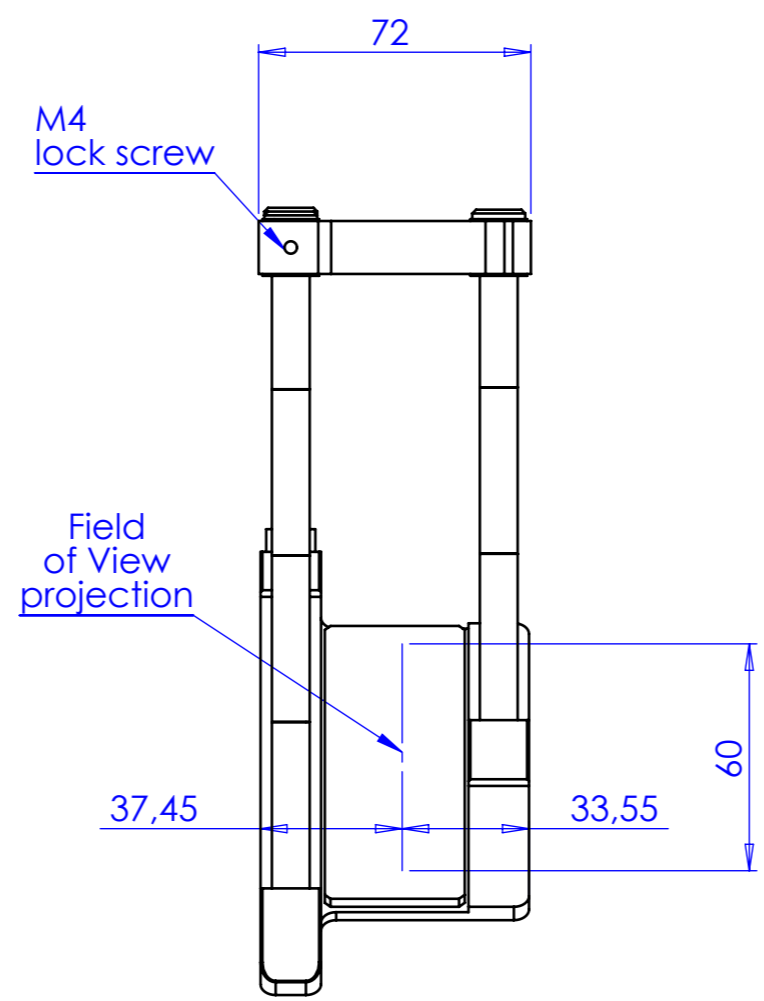
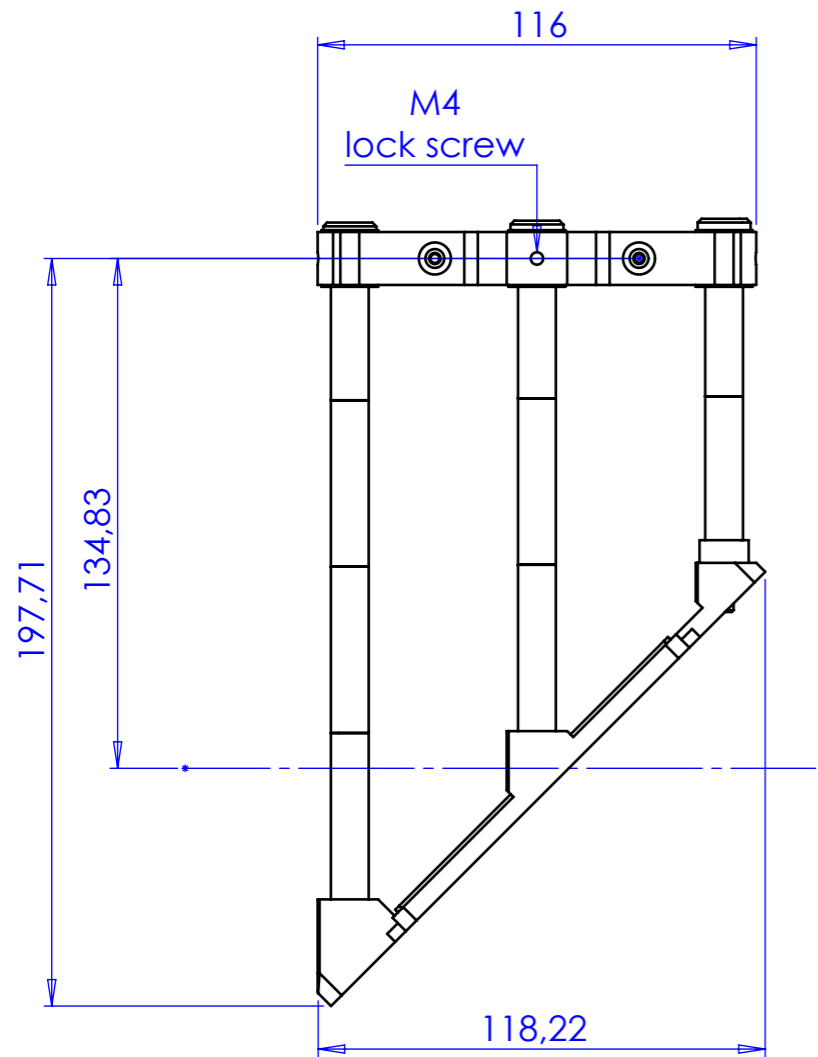


Rev No.	Description	Date	Name



Material	N.A.		Mass	504 g	Scale	1:2
Surface treatment	N.A.		Part No.	CO22523		
Geometrical tolerance (ISO 2768-2)			Class	K	Undimensioned bevels	
Linear tolerance (ISO 2768-2)			Class	m	0,5x45°	
0,5	>3	>6	>30	>120	>400	>1000
±3	±6	±30	±120	±400	±1000	±2000
±0,1	±0,1	±0,2	±0,3	±0,5	±0,8	±1,2
					Undimensioned radii	
					R 0,5	
Description			Date	Name	Drawing No.	
CMMR4K060-L			30/06/2014	Vasconetto	DP 22523-A	
Drawing No.			Sheet		1/1	
Designed			Checked		Secret and confidential - All rights reserved - No copy, dissemination or circulation is allowed unless specifically authorized in writing by OPTO ENGINEERING S.r.l. - Any violation shall be legally prosecuted.	
Drawn			Checked			
Checked			Checked			

all dimensions are in mm



OPTO ENGINEERING S.r.l. - Mantova Italy - Tel. +39 0376 699111 - www.opto-engineering.com