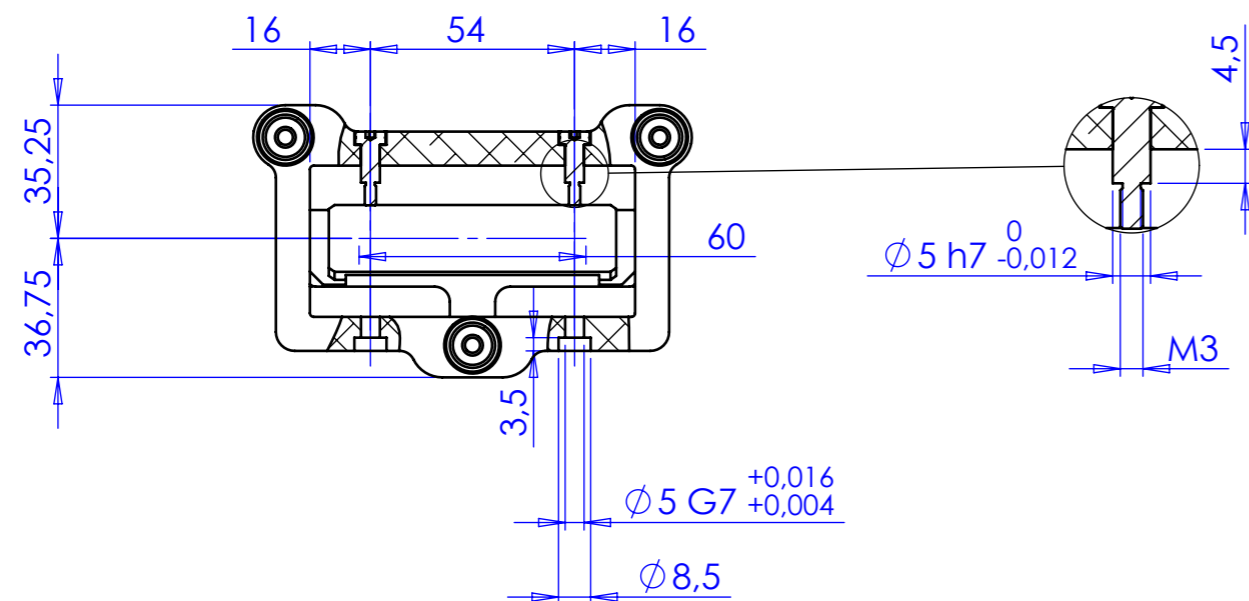
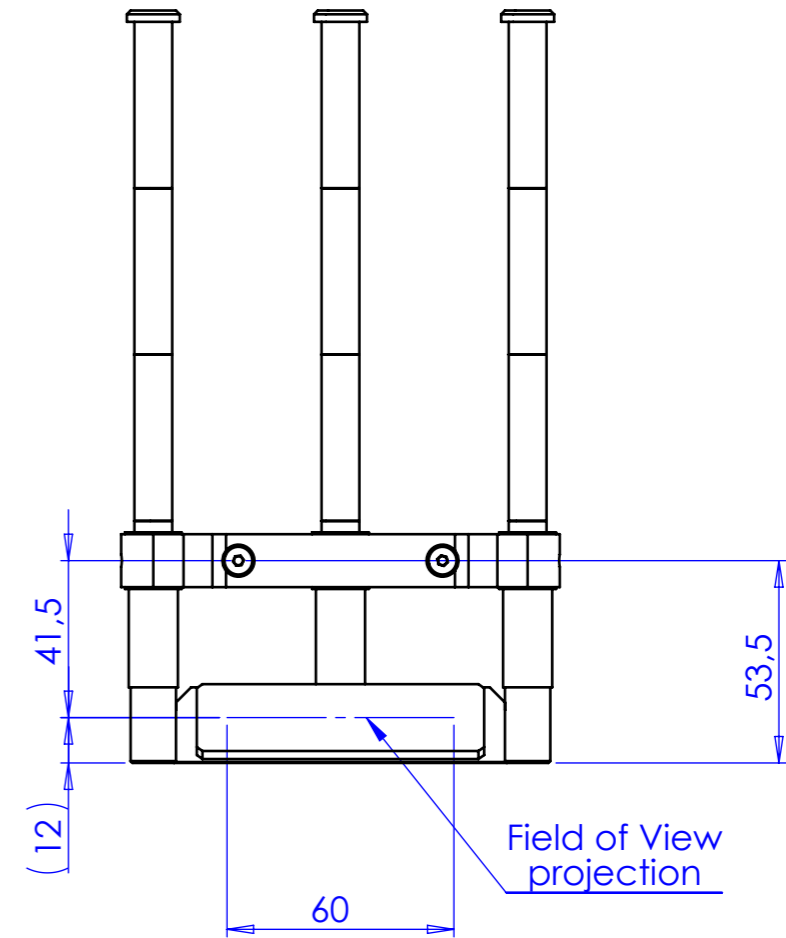
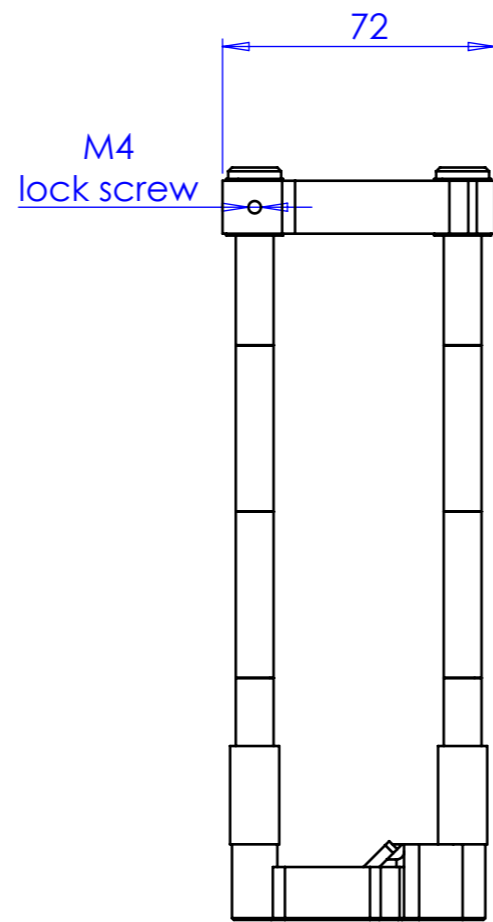
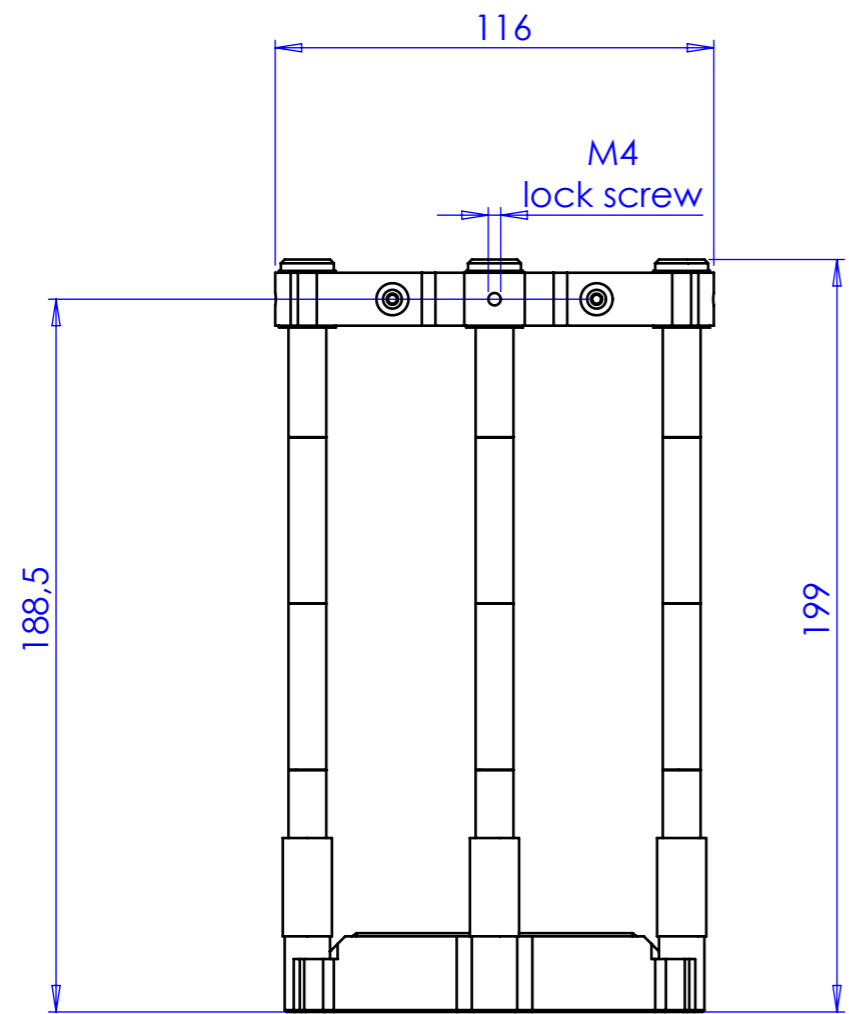


1 2 3 4 5 6 7 8

Rev No.	Description	Date	Name



Material	N.A.		Mass	556 g	Scale	1:2	
Surface treatment	N.A.		Part No.	CO22522			
Geometrical tolerance (ISO 2768-2)			Class	K	Undimensioned bevels	0.5x45°	
Linear tolerance (ISO 2768-2)			Class	m	Undimensioned radii	R 0.5	
0.5 ±3	>3÷ 6	>6÷ 30	>30÷ 120	>120 ±400	>400÷ 1000	>1000 ±2000	>2000 ±4000
±0.1	±0.1	±0.2	±0.3	±0.5	±0.8	±1.2	±2
			Date	Name			
Designed 30/06/2014 Vasconetto			Date	Name			
Drawn 30/06/2014 Vasconetto			Drawing No.				
Checked			DP 22522-A			Sheet	
OPTO ENGINEERING S.r.l. - Mantova Italy - Tel. +39 0376 699111 - www.opto-engineering.com			Secret and confidential - All rights reserved - No copy, dissemination or circulation is allowed unless specifically authorized in writing by OPTO ENGINEERING S.r.l. - Any violation shall be legally prosecuted.				

1 2 3 4 5 6 7 8

0 1 2 3 4 5 6 7 8 9 10