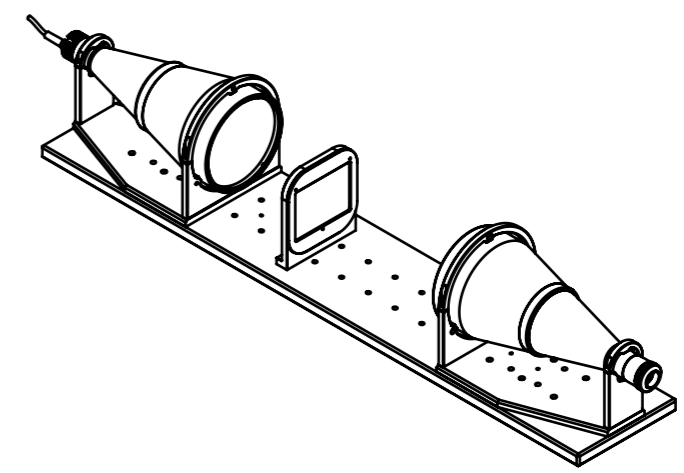
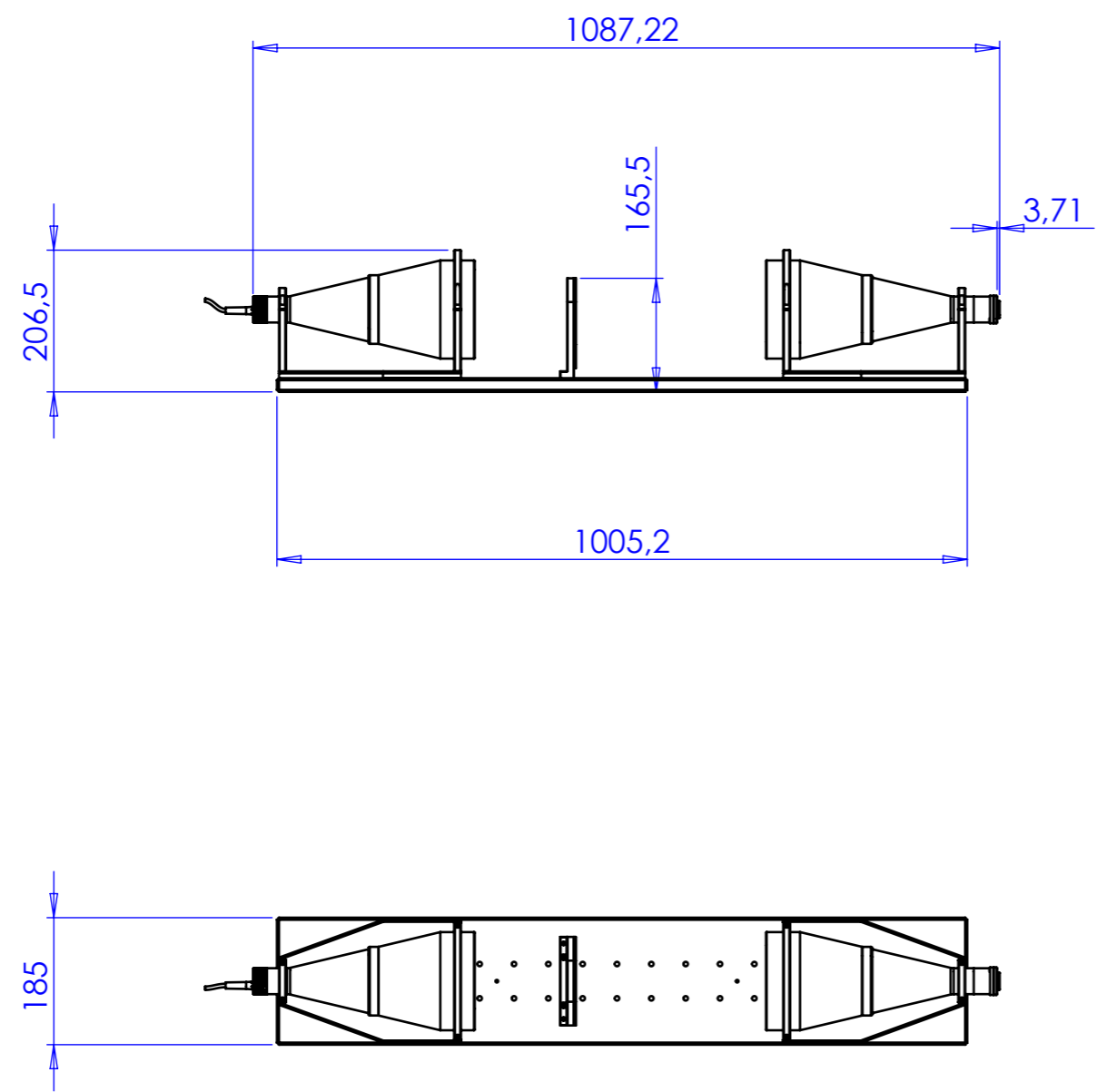


1 2 3 4 5 6 7 8

Rev No.	Description	Date	Name



D
C
B
A

D
C
B
A

Material	N.A.		Mass	15350 g	Scale	1:10	
Surface treatment	N.A.		Part No.	CO22478			
Geometrical tolerance (ISO 2768-2)			Class	K	Undimensioned bevels	0,5x45°	
Linear tolerance (ISO 2768-2)			Class	m	Undimensioned radii	R 0,5	
0,5 ±3	>3± 6	>6± 30	>30± 120	>120 ±400	>400± 1000	>1000 ±2000	
>2000 ±4000							
±0,1	±0,1	±0,2	±0,3	±0,5	±0,8	±1,2	
			Date	Name			
			Designed	30/05/2014	Vasconetto		
			Drawn	30/05/2014	Vasconetto		
Checked							
			Drawing No. DP 22478-A			Sheet 1/1	
Secret and confidential - All rights reserved - No copy, dissemination or circulation is allowed unless specifically authorized in writing by OPTO ENGINEERING S.r.l. - Any violation shall be legally prosecuted.							

all dimensions are in mm

1 2 3 4 5 6 7 8

0 1 2 3 4 5 6 7 8 9 10

OPTO ENGINEERING S.r.l. - Mantova Italy - Tel. +39 0376 699111 - www.opto-engineering.com