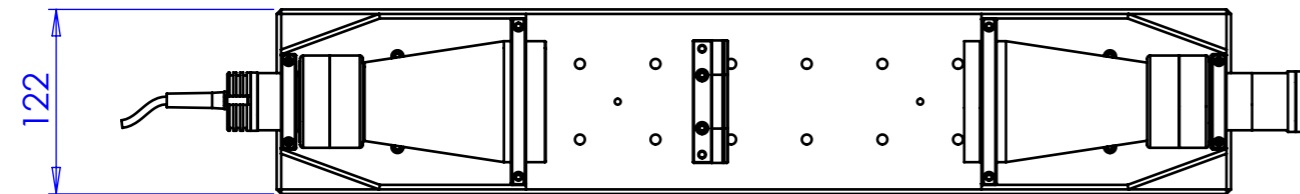
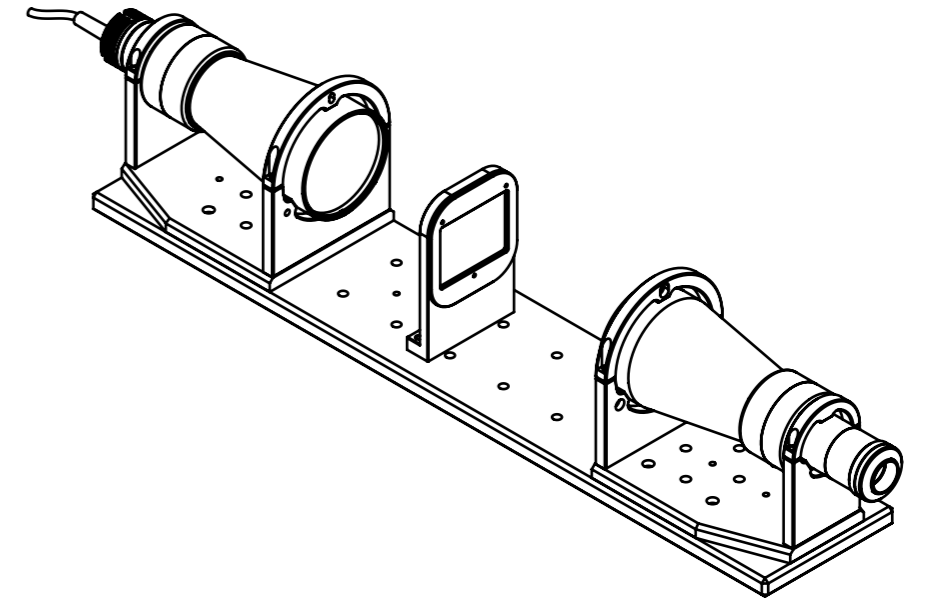
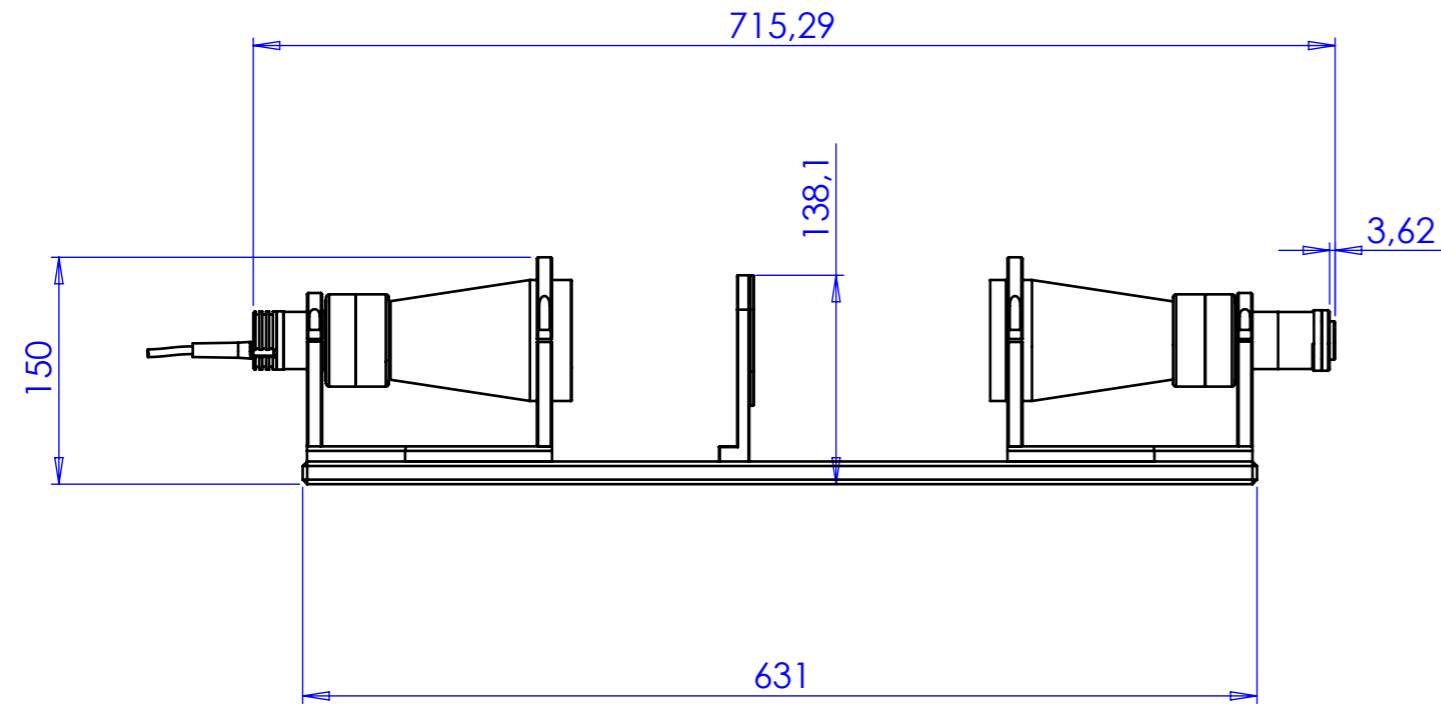



1 2 3 4 5 6 7 8

Rev No.	Description	Date	Name



Material		N.A.		Mass		7320 g		Scale		1:5					
Surface treatment		N.A.		Part No.		CO22475									
Geometrical tolerance (ISO 2768-2)								Class		K		Description			
Linear tolerance (ISO 2768-2)								Class		m		Undimensioned bevels			
0.5 ±3								>3± 6		>6± 30		0.5x45°			
>30± 120								>120 ±400		>400± 1000		Undimensioned radii			
>1000 ±2000								>2000 ±4000		R 0.5		TCBENCH056			
±0.1								±0.1		±0.2		Drawing No.			
±0.3								±0.5		±0.8		DP 22475-A			
±1.2								±2		Date		Sheet			
								30/05/2014		Vasconetto		1/1			
								30/05/2014		Vasconetto					
 <b>OPTO ENGINEERING</b> <small>THE TELECENTRIC COMPANY</small>								Date: 30/05/2014 Name: Vasconetto				Drawing No.: DP 22475-A			
OPTO ENGINEERING S.r.l. - Mantova Italy - Tel. +39 0376 699111 - www.opto-engineering.com								Secret and confidential - All rights reserved - No copy, dissemination or circulation is allowed unless specifically authorized in writing by OPTO ENGINEERING S.r.l. - Any violation shall be legally prosecuted.							

all dimensions are in mm

1 2 3 0 1 2 3 4 5 6 7 8 9 10 6 7 8