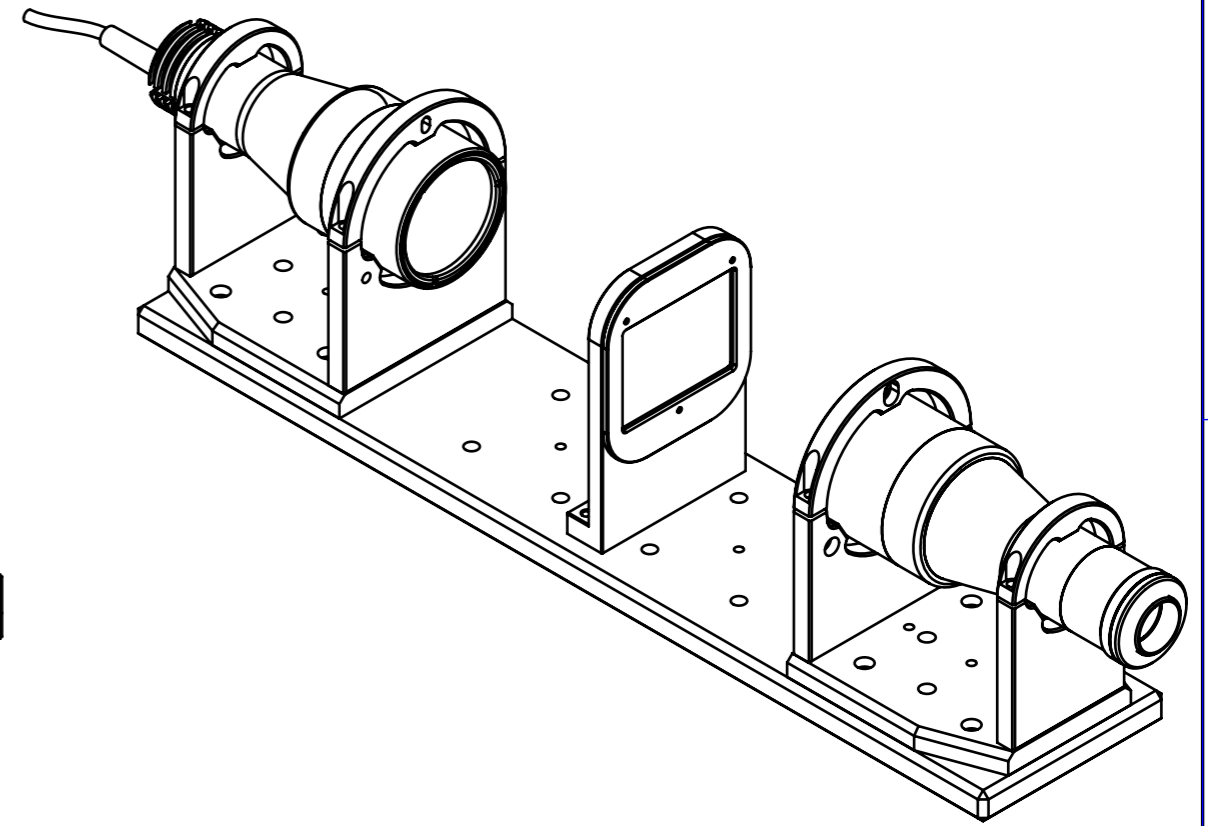
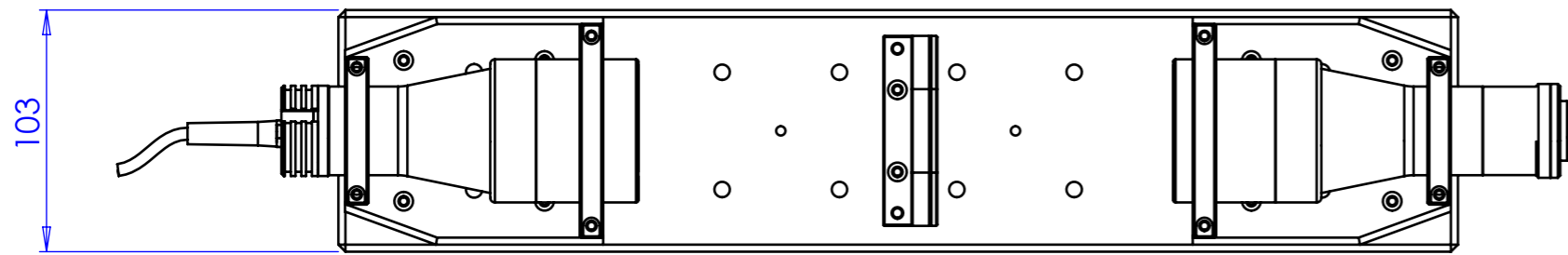
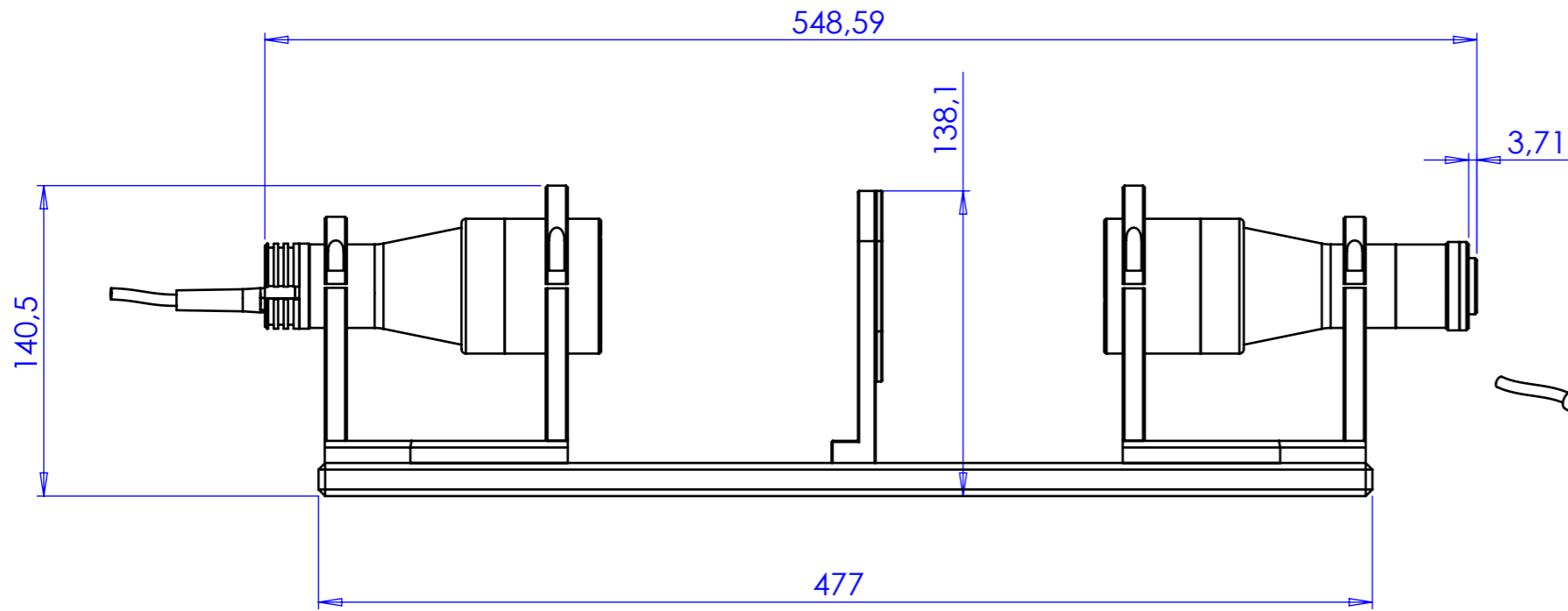



Rev No.	Description	Date	Name



Material		N.A.		Mass		4150 g		Scale		1:3					
Surface treatment		N.A.		Part No.		CO22473									
Geometrical tolerance (ISO 2768-2)								Class		K		Description			
Linear tolerance (ISO 2768-2)								Class		m		Undimensioned bevels			
0.5 ±3								>3± 6		>6± 30		0,5x45°			
>30± 120								>120 ±400		>400± 1000		Undimensioned radii			
>1000 ±2000								>2000 ±4000		R 0.5		TCBENCH036			
±0.1								±0.1		±0.2		Drawing No.			
±0.3								±0.5		±0.8		DP 22473-A			
±0.5								±1.2		±2		Sheet			
								Date		Name		1/1			
								30/05/2014		Vasconetto					
								30/05/2014		Vasconetto					
 OPTO ENGINEERING <small>THE TELECENTRIC COMPANY</small>								OPTO ENGINEERING S.r.l. - Mantova Italy - Tel. +39 0376 699111 - www.opto-engineering.com				<small>Secret and confidential - All rights reserved - No copy, dissemination or circulation is allowed unless specifically authorized in writing by OPTO ENGINEERING S.r.l. - Any violation shall be legally prosecuted.</small>			

all dimensions are in mm

