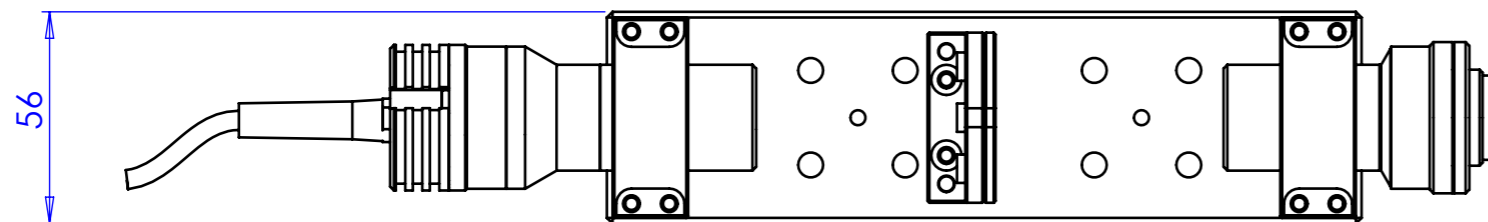
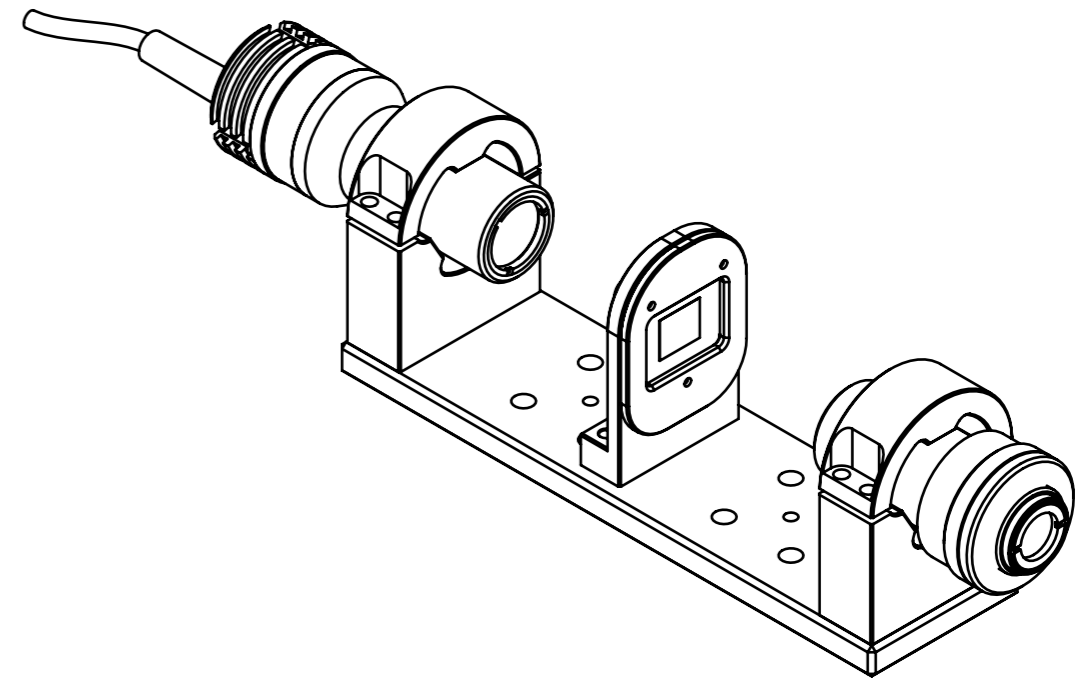
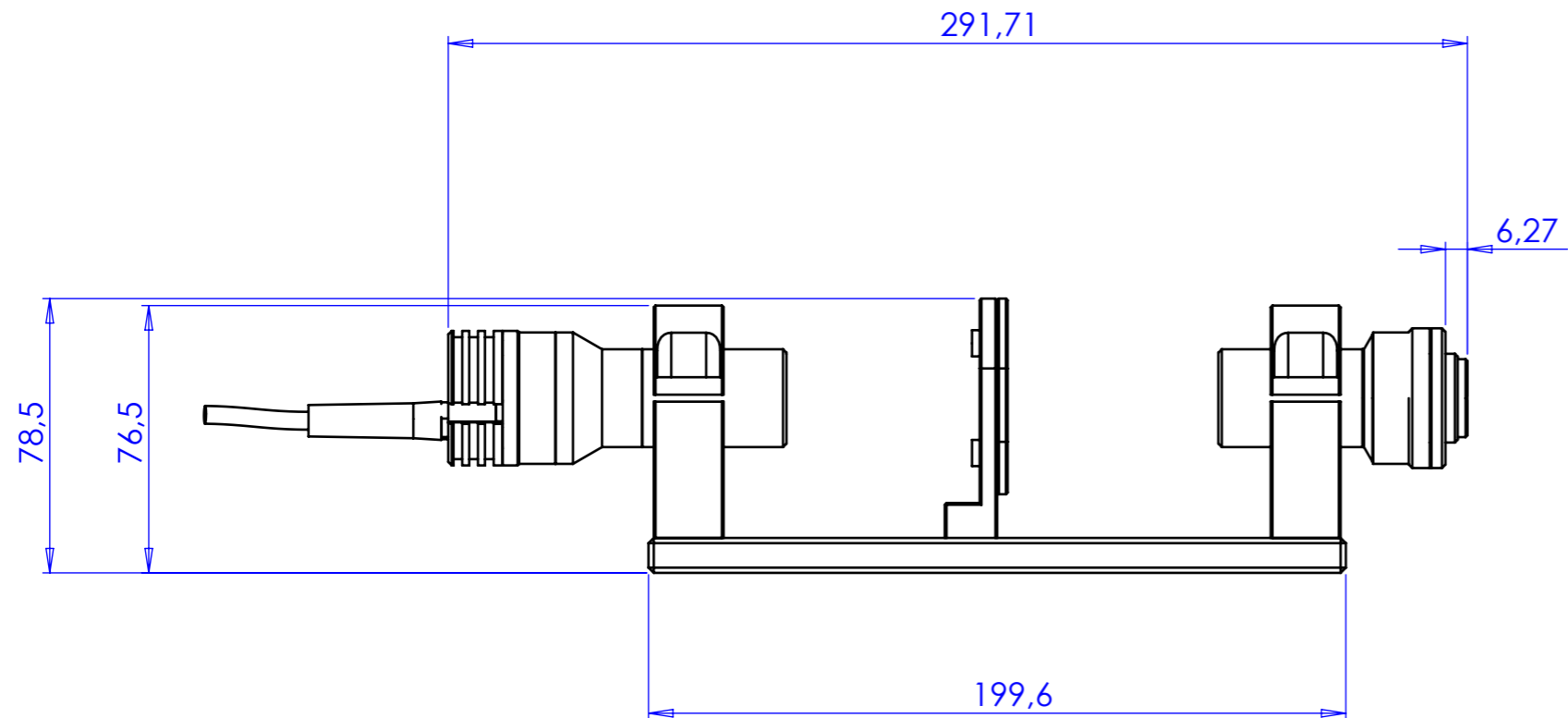


Rev No.	Description	Date	Name



Material		N.A.		Surface treatment		N.A.		Mass		950 g		Scale		1:2	
Geometrical tolerance (ISO 2768-2)								Class		K		Undimensioned bevels		0,5x45°	
Linear tolerance (ISO 2768-2)								Class		m		Undimensioned radii		R 0.5	
0.5 ±3	>3± 6	>6± 30	>30± 120	>120 ±400	>400± 1000	>1000 ±2000	>2000 ±4000	±0.1	±0.1	±0.2	±0.3	±0.5	±0.8	±1.2	±2
								Date		Name		Drawing No.		Sheet	
								Designed		30/05/2014 Vasconetto		DP 22470-A		1/1	
								Drawn		30/05/2014 Vasconetto		Secret and confidential - All rights reserved - No copy, dissemination or circulation is allowed unless specifically authorized in writing by OPTO ENGINEERING S.r.l. - Any violation shall be legally prosecuted.			
								Checked							
OPTO ENGINEERING S.r.l. - Mantova Italy - Tel. +39 0376 699111 - www.opto-engineering.com															

all dimensions are in mm