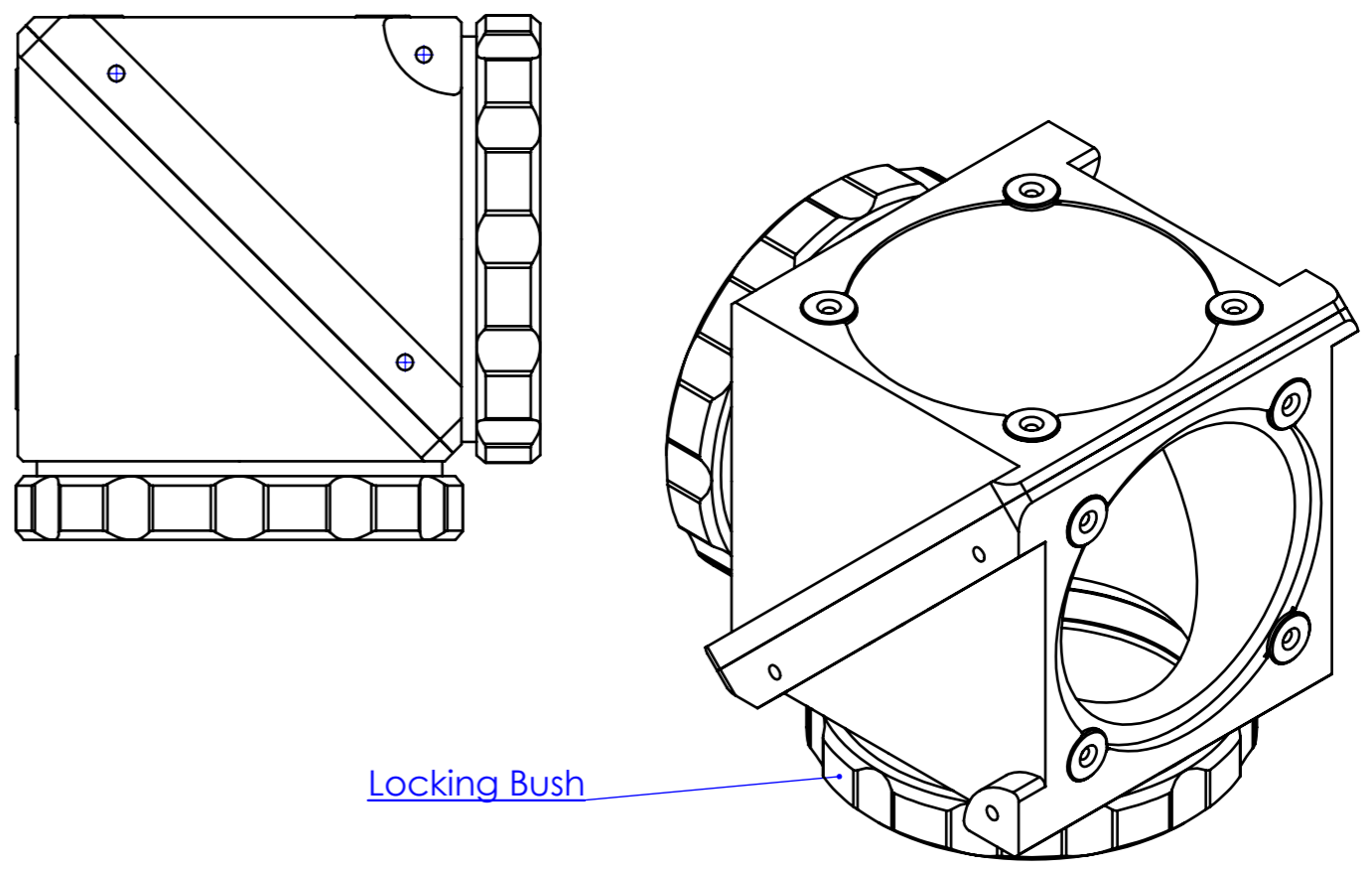
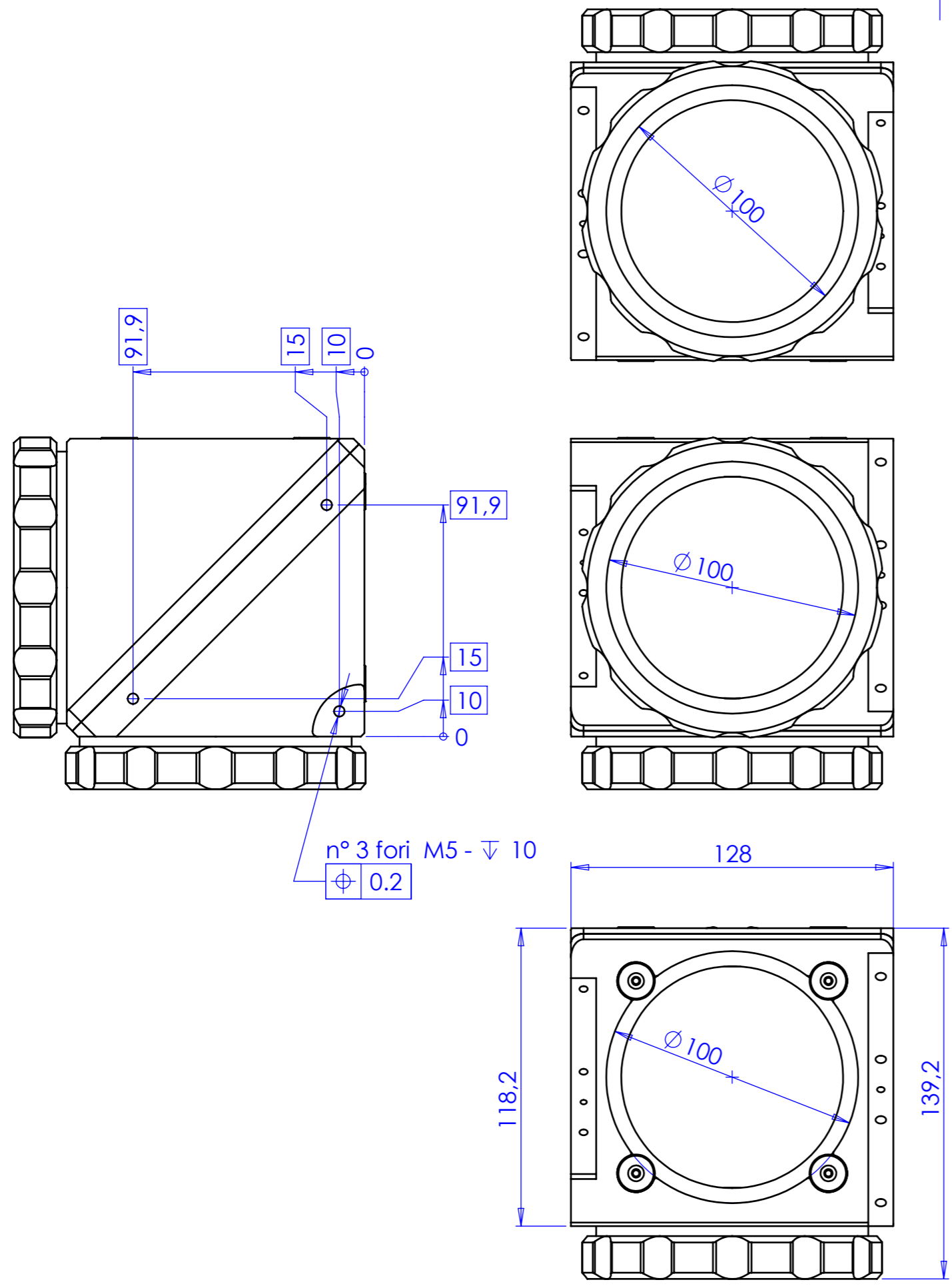


5	6	7	8
Rev No.	Description	Date	Name



Material	N.A.	Mass	911 g	Scale	1:2
Surface treatment	N.A.	Part No.	CO22435		
Geometrical tolerance (ISO 2768-2)		Class	K	Undimensioned bevels	0.5x45°
Linear tolerance (ISO 2768-2)		Class	m	Undimensioned radii	R 0.5
0.5 ±3	>3÷ 6	>6÷ 30	>30÷ 120	>120 ±400	>400± 1000
>1000 ±2000	>2000 ±4000	>4000	>8000	>16000	>32000
±0.1	±0.1	±0.2	±0.3	±0.5	±0.8
±1.2	±2	±3	±5	±10	±20
Date		Name		Drawing No.	
Designed 27/03/2014		Santini		DA22435-A	
Drawn 10/04/2014		LSantini		Sheet 1/1	
Checked				Secret and confidential - All rights reserved - No copy, dissemination or circulation is allowed unless specifically authorized in writing by OPTO ENGINEERING S.r.l. - Any violation shall be legally prosecuted.	

all dimensions are in mm



OPTO ENGINEERING S.r.l. - Mantova Italy - Tel. +39 0376 699111 - www.opto-engineering.com