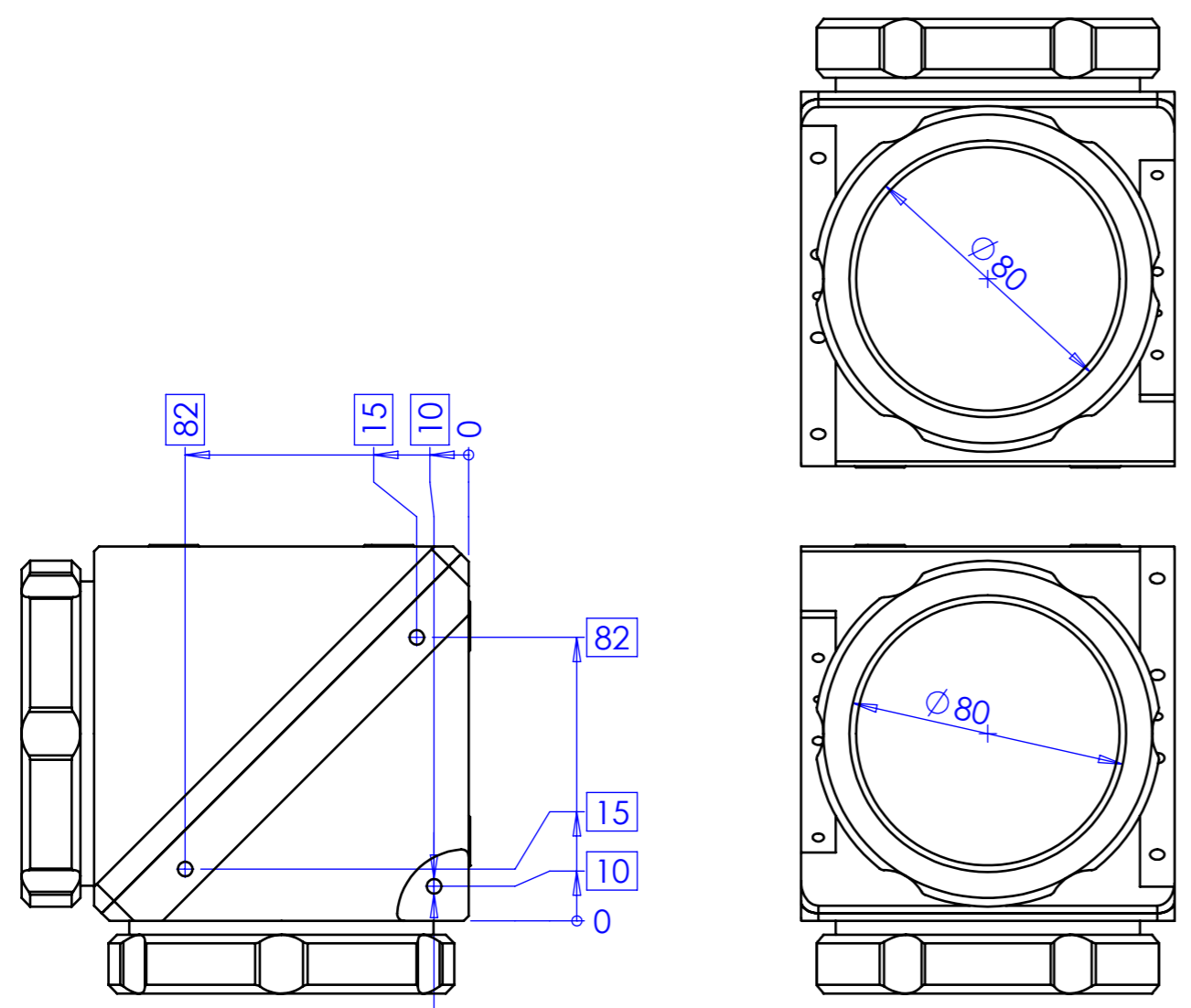
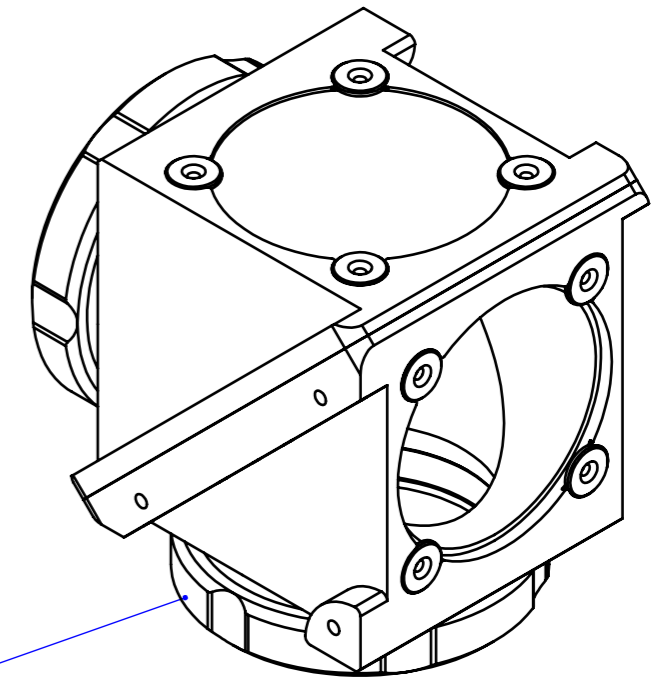
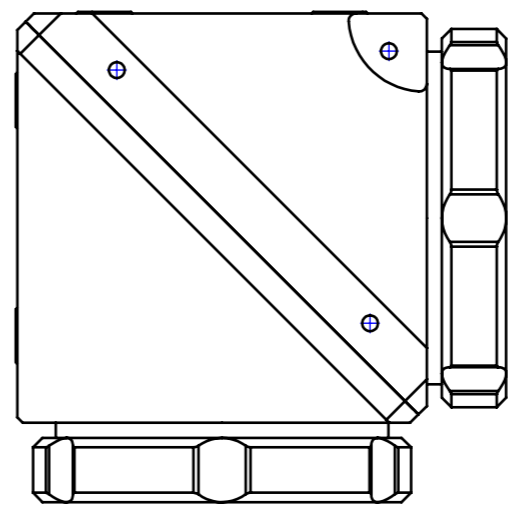
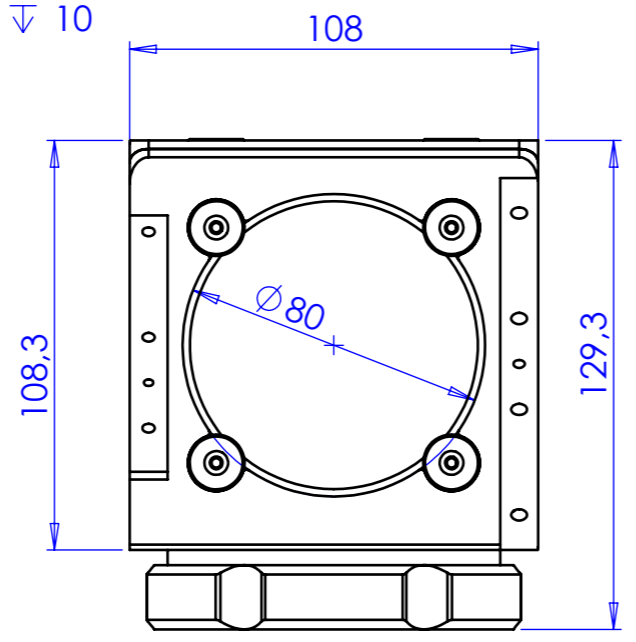


Rev No.	Description	Date	Name



n° 3 fori M5 - ∇ 10
 $\begin{matrix} \oplus \\ \ominus \end{matrix} 0.2$



Locking Bush

Material	N.A.	Mass	675 g	Scale	1:2
Surface treatment	N.A.	Part No.	CO22434		
Geometrical tolerance (ISO 2768-2)		Class	K	Undimensioned bevels	0,5x45°
Linear tolerance (ISO 2768-2)		Class	m	Undimensioned radii	R 0.5
0.5 ±3	>3± 6	>6± 30	>30± 120	>120 ±400	>400± 1000
±0.1	±0.1	±0.2	±0.3	±0.5	±1.2
		Date	Name	Drawing No.	Sheet
Designed 27/03/2014 Santini Drawn 10/04/2014 LSantini Checked		27/03/2014	Santini	DA22434-A	1/1
OPTO ENGINEERING S.r.l. - Mantova Italy - Tel. +39 0376 699111 - www.opto-engineering.com Secret and confidential - All rights reserved - No copy, dissemination or circulation is allowed unless specifically authorized in writing by OPTO ENGINEERING S.r.l. - Any violation shall be legally prosecuted.					

D
C
B
A

D
C
B
A