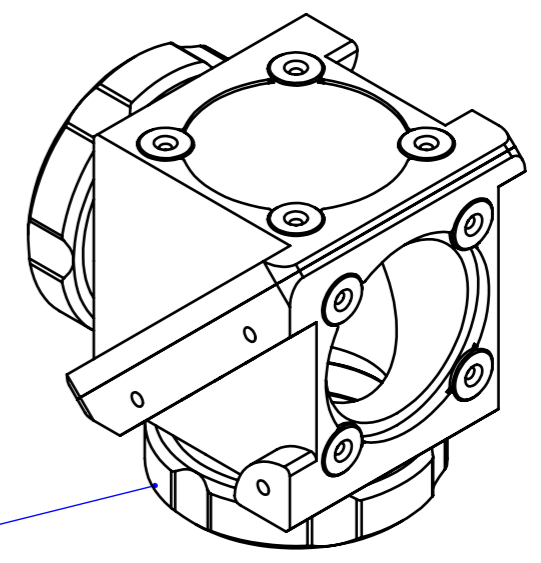
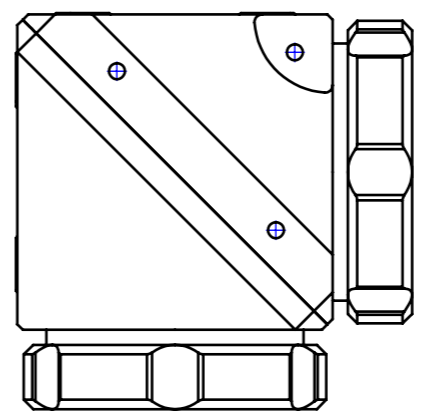
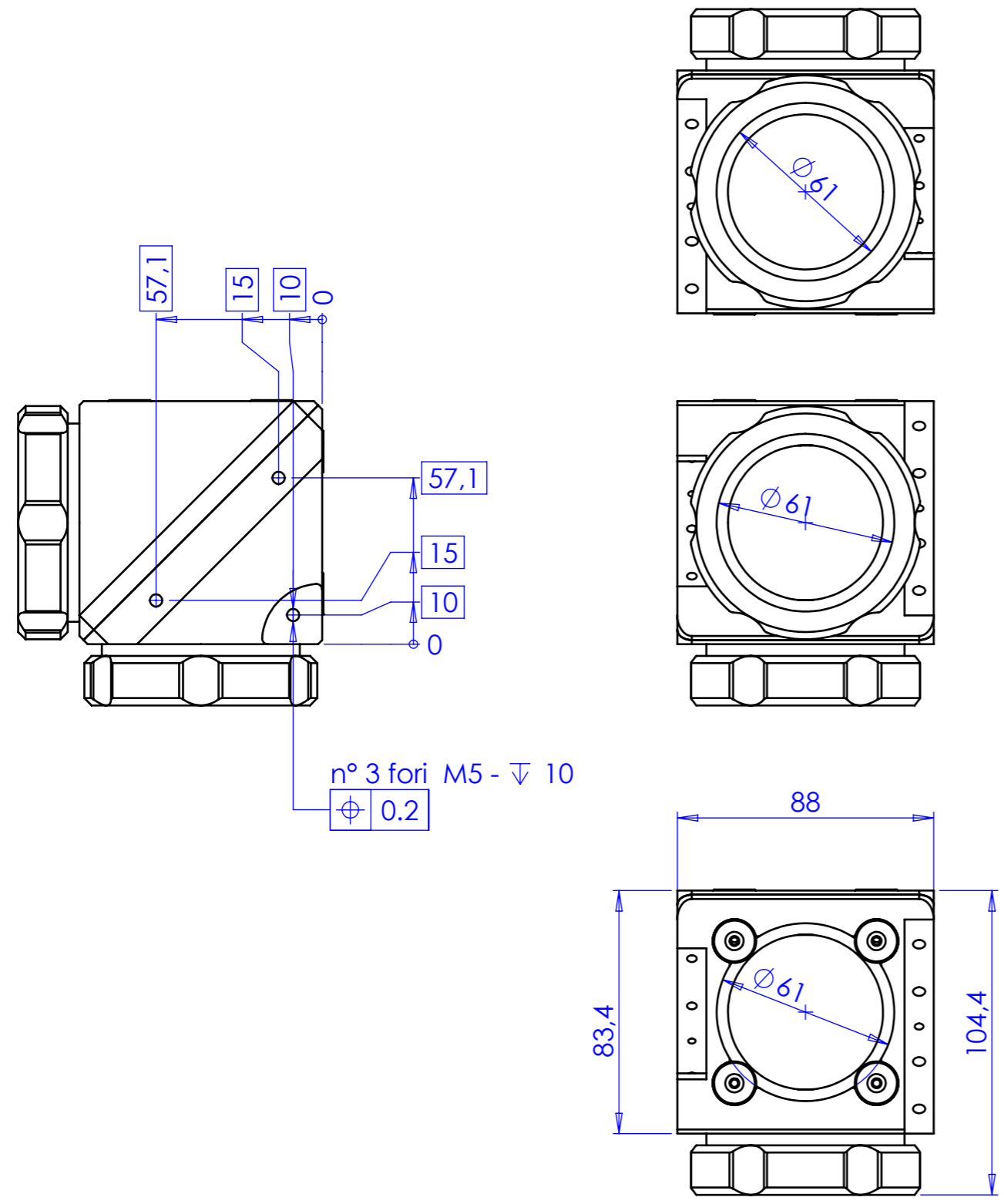


1 2 3 4 5 6 7 8


Rev No.	Description	Date	Name



Locking Bush

D
C
B
A

D
C
B
A

Material		N.A.		Mass		853 g		Scale		1:2			
Surface treatment		N.A.		Part No.		CO22432							
Geometrical tolerance (ISO 2768-2)								Class		K		Description	
Linear tolerance (ISO 2768-2)								Class		m		Undimensioned bevels	
0.5 ±3								>3± 6		>6± 30		0.5x45°	
>30± 120								>120 ±400		>400± 1000		Undimensioned radii	
>1000 ±2000								>2000 ±4000		R 0.5		CMBS036	
±0.1								±0.1		±0.2		Drawing No.	
±0.3								±0.5		±0.8		DA22432-A	
±0.5								±1.2		±2		Sheet	
Date								Name		1/1			
Designed								27/03/2014		Santini			
Drawn								09/04/2014		LSantini			
Checked													
													
OPTO ENGINEERING S.r.l. - Mantova Italy - Tel. +39 0376 699111 - www.opto-engineering.com													
<i>Secret and confidential - All rights reserved - No copy, dissemination or circulation is allowed unless specifically authorized in writing by OPTO ENGINEERING S.r.l. - Any violation shall be legally prosecuted.</i>													

all dimensions are in mm

1 2 3 4 5 6 7 8

0 1 2 3 4 5 6 7 8 9 10