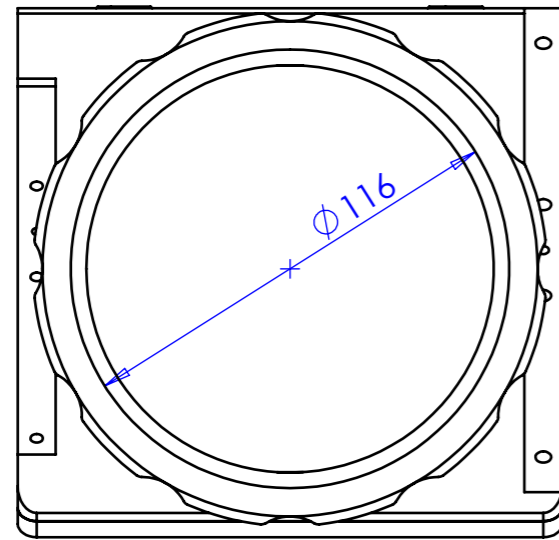
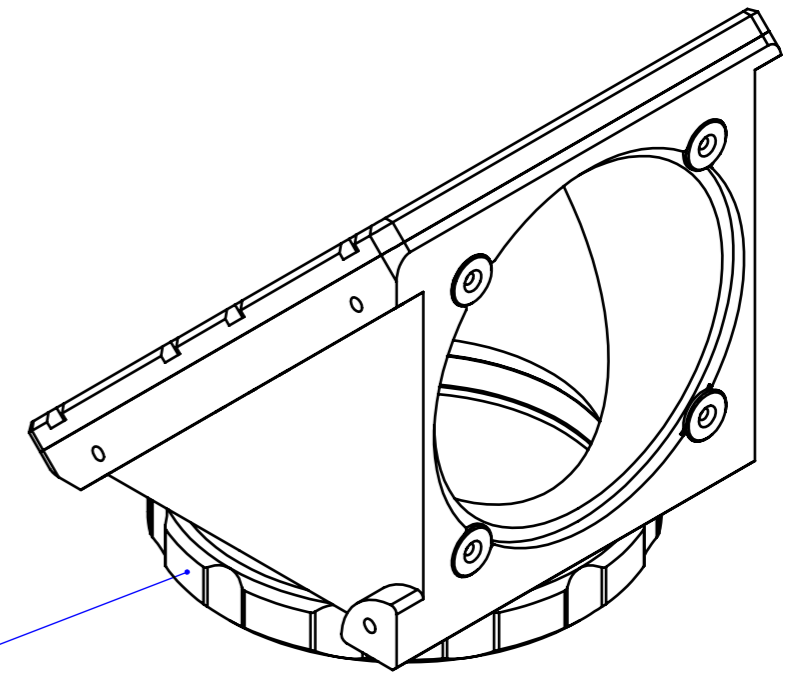
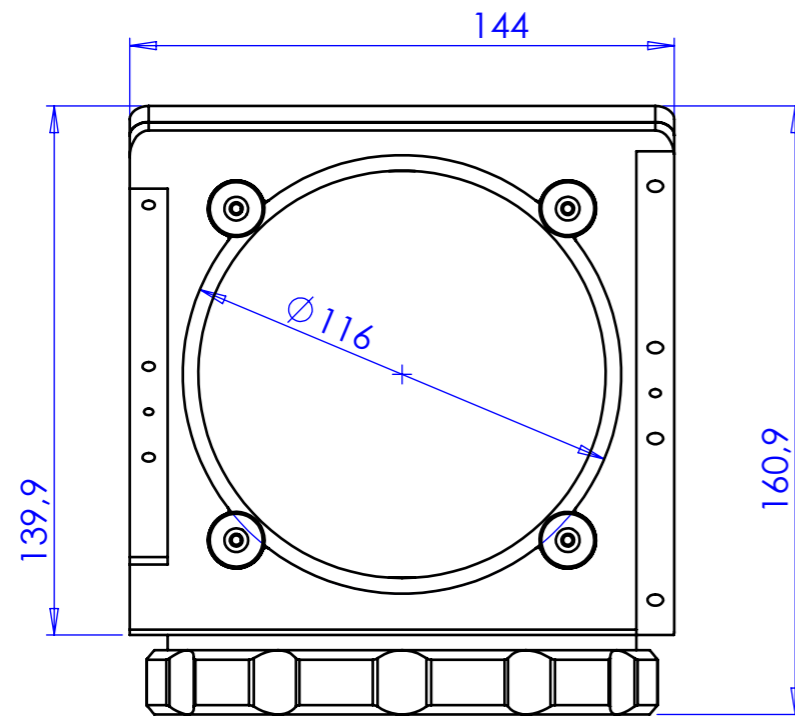
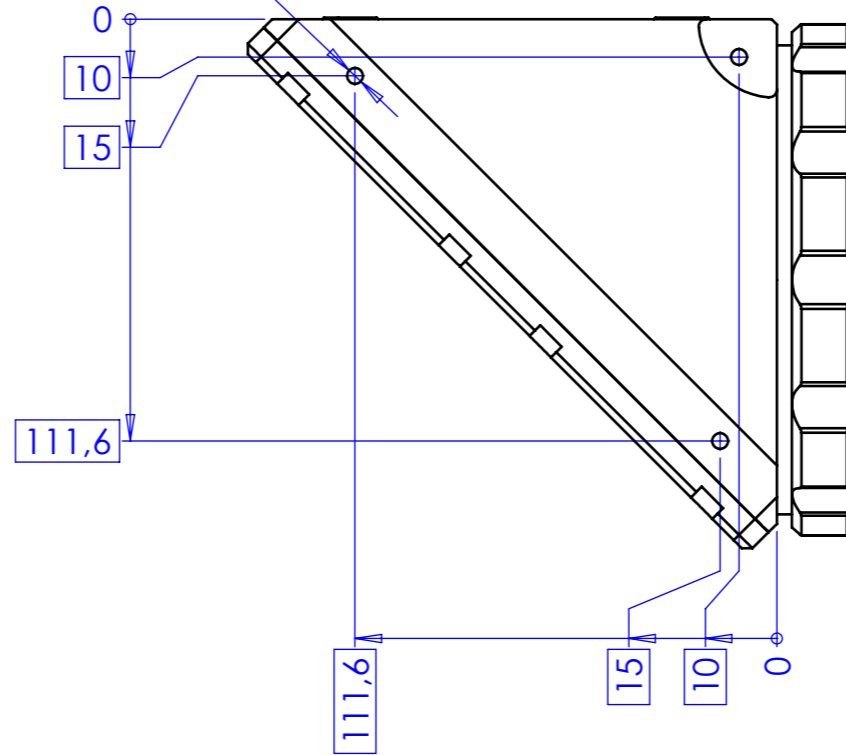


1 2 3 4 5 6 7 8

Rev No.	Description	Date	Name



n° 3 holes M5 ∇ 10
 \oplus 0.2



Locking Bush

Material	N.A.		Mass	1605 g	Scale	1:2			
Surface treatment	N.A.		Part No.	CO22430					
Geometrical tolerance (ISO 2768-2)		Class	K	Description					
Linear tolerance (ISO 2768-2)		Class	m	Undimensioned bevels	0,5x45°	CMMR080			
0,5 ±3	>3± 6	>6± 30	>30± 120	>120 ±400	>400± 1000		>1000 ±2000	>2000 ±4000	Undimensioned radii
±0,1	±0,1	±0,2	±0,3	±0,5	±0,8	±1,2	±2	Drawing No.	
		Date	Name	Drawing No.			Sheet		
		Designed	27/03/2014	Santini	DP 22430-A			1/1	
		Drawn	10/04/2014	LSantini					
Checked									
OPTO ENGINEERING S.r.l. - Mantova Italy - Tel. +39 0376 699111 - www.opto-engineering.com							Secret and confidential - All rights reserved - No copy, dissemination or circulation is allowed unless specifically authorized in writing by OPTO ENGINEERING S.r.l. - Any violation shall be legally prosecuted.		

all dimensions are in mm

1 2 3 4 5 6 7 8

0 1 2 3 4 5 6 7 8 9 10