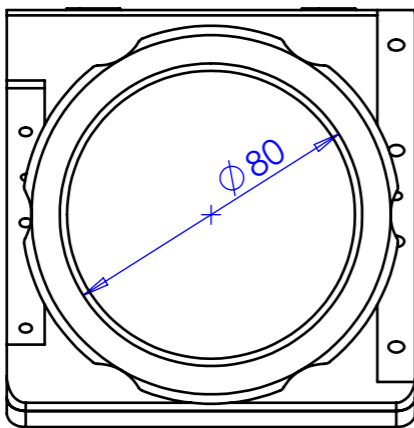


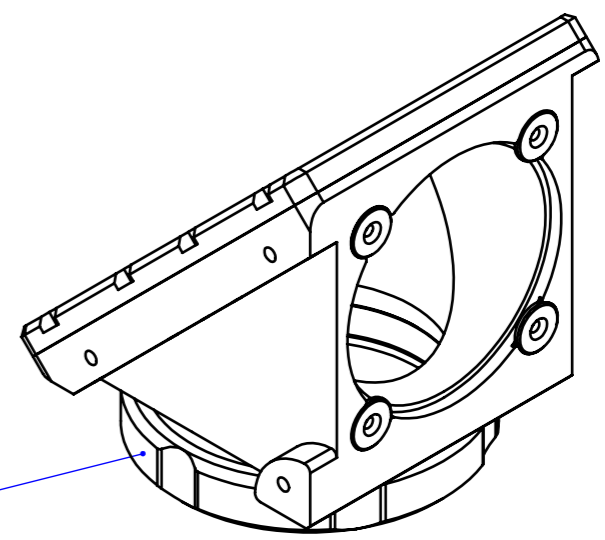
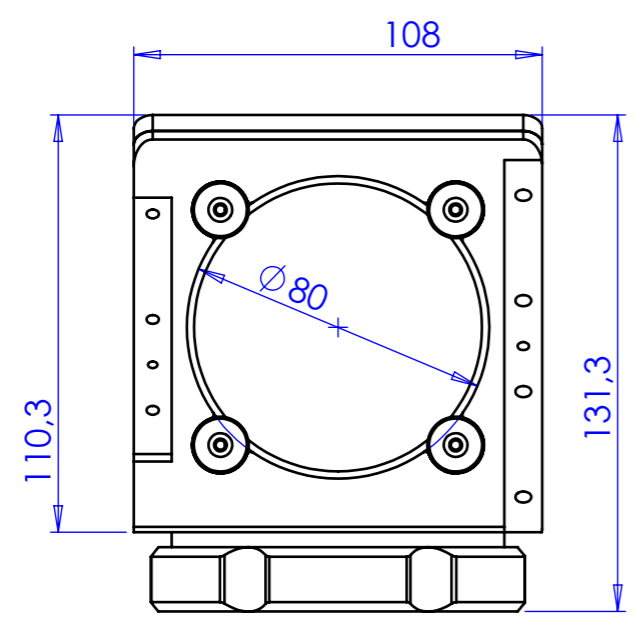
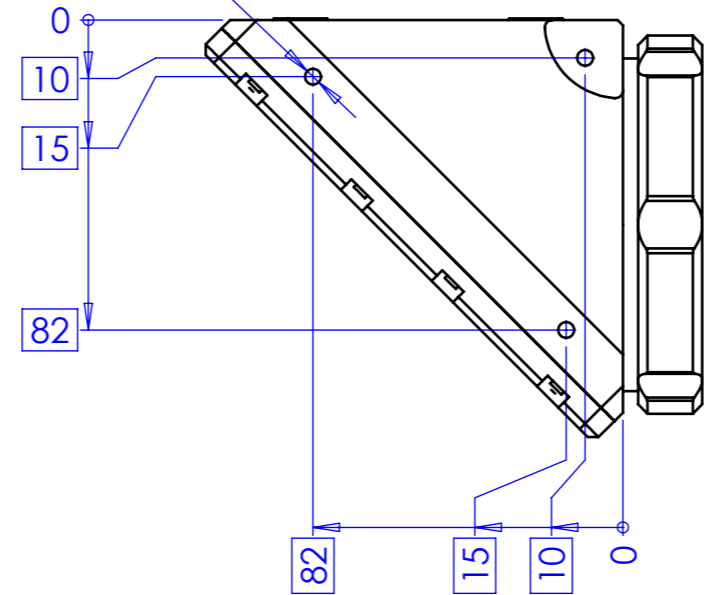
1 2 3 4 5 6 7 8

Rev No.	Description	Date	Name



n° 3 holes M5 ∇ 10

\oplus 0.2



Material	N.A.	Mass	586 g	Scale	1:2
Surface treatment	N.A.	Part No.	CO22428		
Geometrical tolerance (ISO 2768-2)		Class	K	Undimensioned bevels	0,5x45°
Linear tolerance (ISO 2768-2)		Class	m	Undimensioned radii	R 0.5
0.5 ±3	>3± 6	>6± 30	>30± 120	>120 ±400	>400± 1000
±0.1	±0.1	±0.2	±0.3	±0.5	±0.8
					>1000 ±2000
					±4000
					±2
		Date	Name	Drawing No.	Sheet
		Designed	27/03/2014	Santini	DP 22428-A
		Drawn	10/04/2014	LSantini	
all dimensions are in mm OPTO ENGINEERING S.r.l. - Mantova Italy - Tel. +39 0376 699111 - www.opto-engineering.com		Checked		Secret and confidential - All rights reserved - No copy, dissemination or circulation is allowed unless specifically authorized in writing by OPTO ENGINEERING S.r.l. - Any violation shall be legally prosecuted.	

1 2 3 4 5 6 7 8

0 1 2 3 4 5 6 7 8 9 10