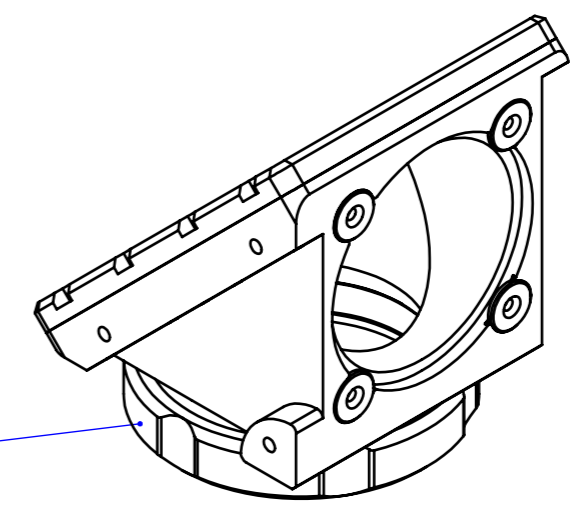
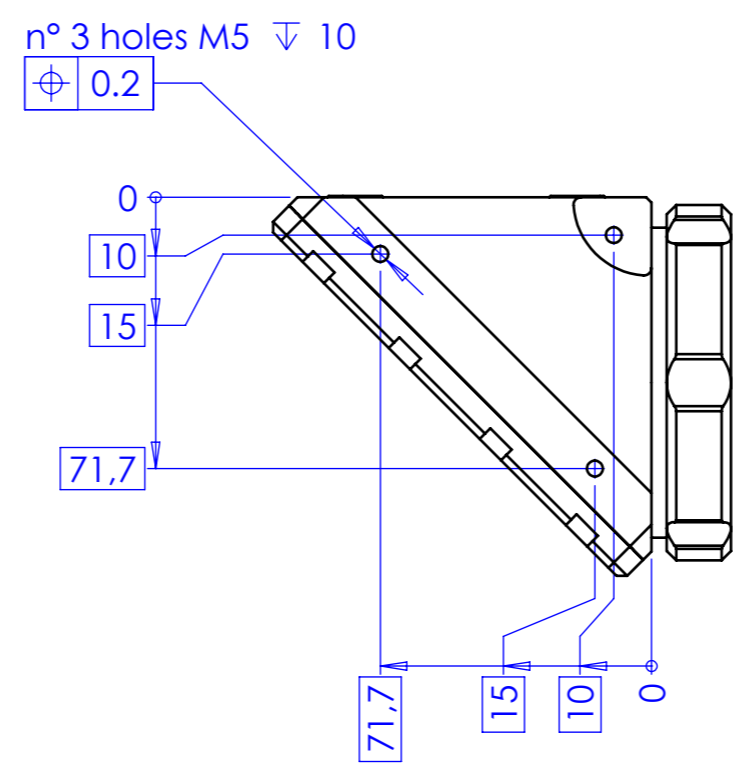
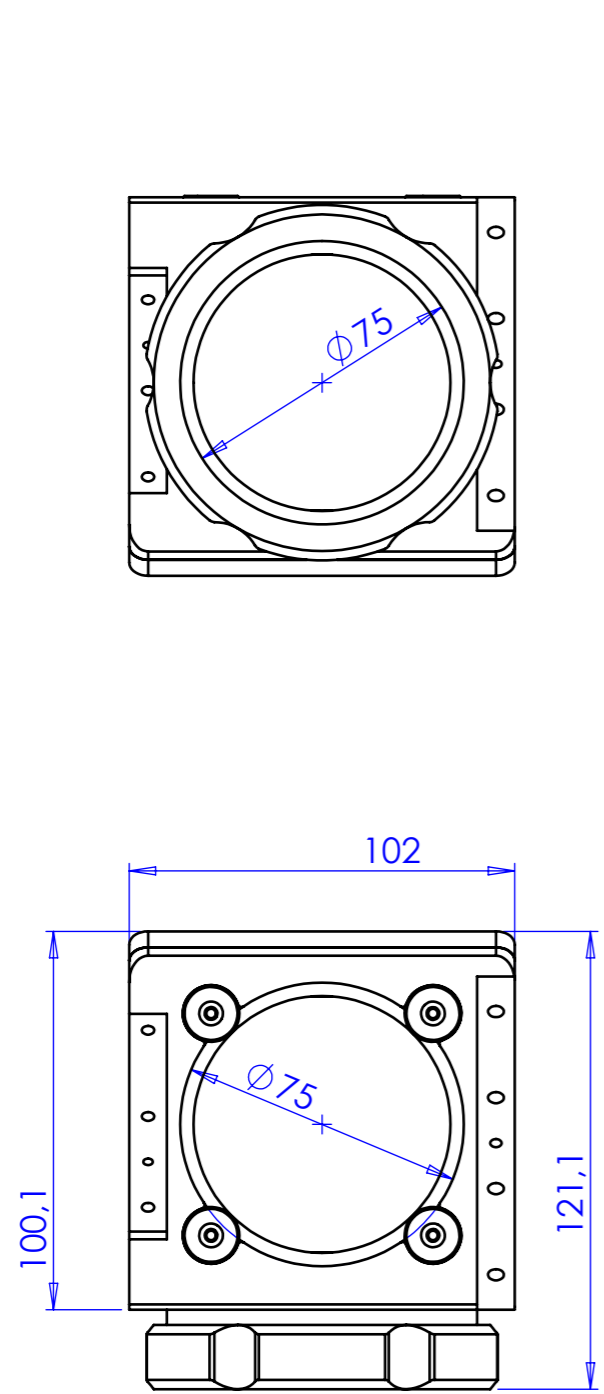



1 2 3 4 5 6 7 8

Rev No.	Description	Date	Name



Locking Bush

Material		N.A.		Mass		508 g		Scale		1:2	
Surface treatment		N.A.		Part No.		CO22427					
Geometrical tolerance (ISO 2768-2)								Class		K	
Linear tolerance (ISO 2768-2)								Class		m	
0.5	>3	>6	>30	>120	>400	>1000	>2000	Undimensioned bevels	0.5x45°		
±3	6	30	120	±400	±1000	±2000	±4000	Undimensioned radii	R 0.5		
±0.1	±0.1	±0.2	±0.3	±0.5	±0.8	±1.2	±2	Description		CMMR048	
 OPTO ENGINEERING THE TELECENTRIC COMPANY		Date		Name		Drawing No.		Sheet			
		Designed		Santini		DP 22427-A		1/1			
		Drawn		LSantini		Secret and confidential - All rights reserved - No copy, dissemination or circulation is allowed unless specifically authorized in writing by OPTO ENGINEERING S.r.l. - Any violation shall be legally prosecuted.					
Checked		OPTO ENGINEERING S.r.l. - Mantova Italy - Tel. +39 0376 699111 - www.opto-engineering.com									

all dimensions are in mm

1 2 3 4 5 6 7 8

0 1 2 3 4 5 6 7 8 9 10