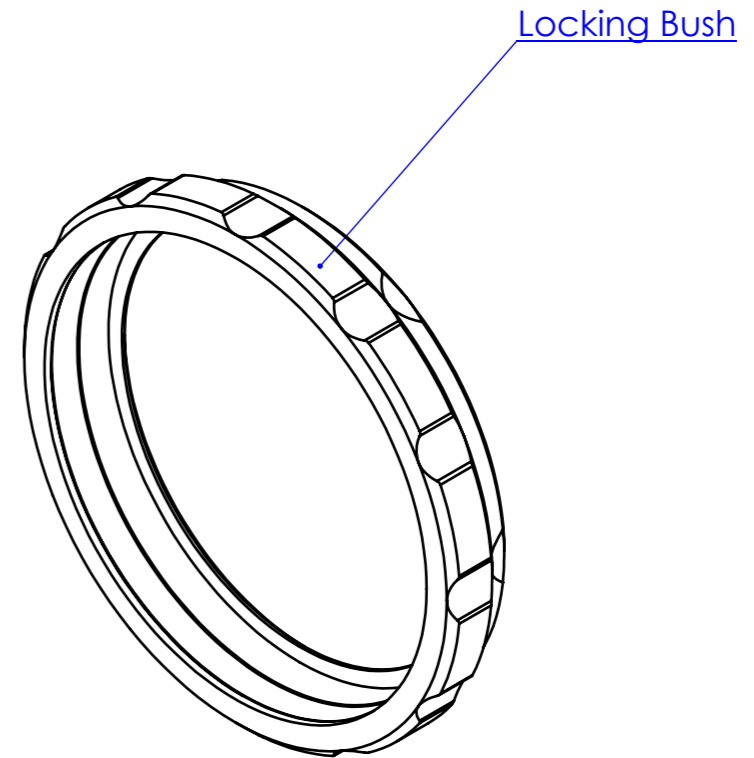
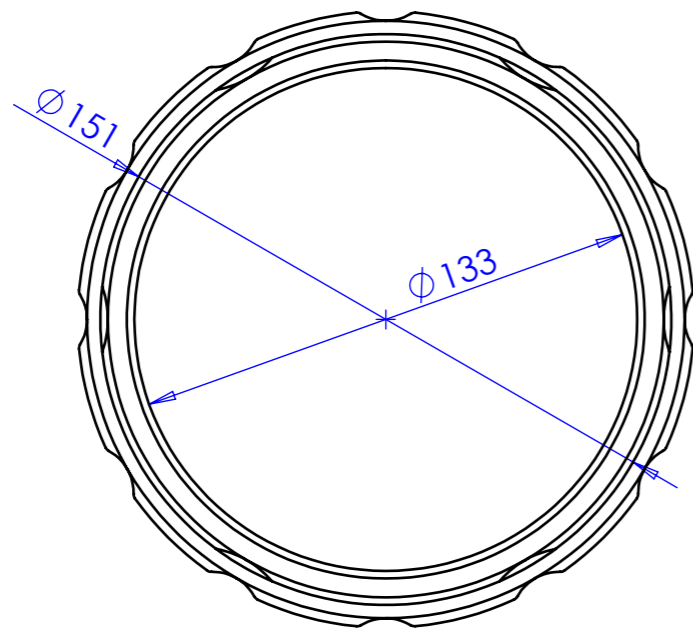
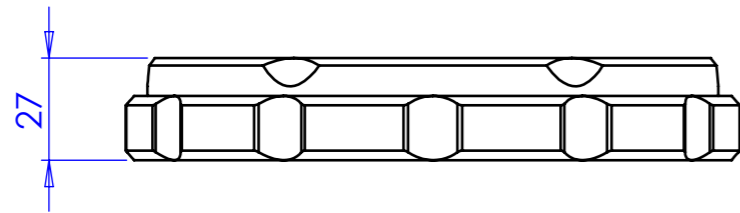
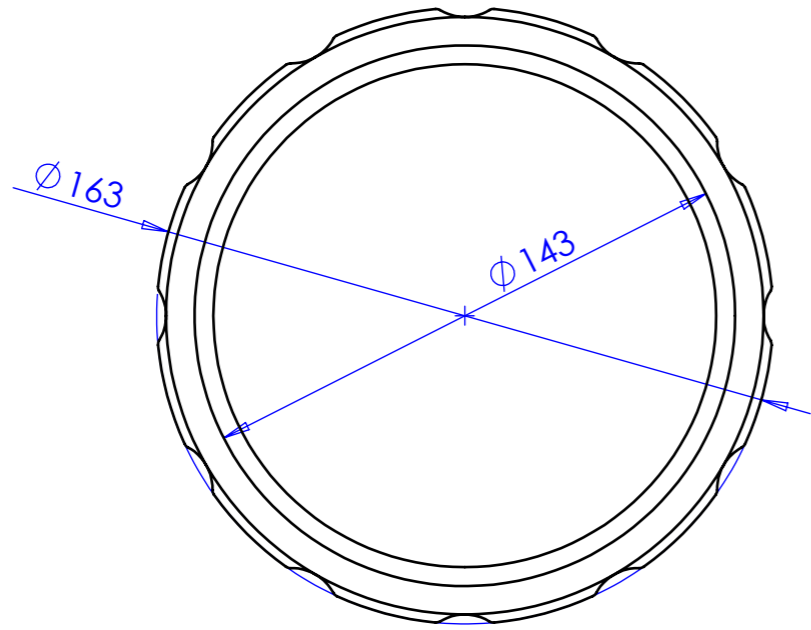


1 2 3 4 5 6 7 8

Rev No.	Description	Date	Name



Material	N.A.		Mass	258 g	Scale	1:2			
Surface treatment	N.A.		Part No.	CO22425					
Geometrical tolerance (ISO 2768-2)		Class	K	Description					
Linear tolerance (ISO 2768-2)		Class	m	Undimensioned bevels	0.5x45°	CMWF096			
0.5 ±3	>3± 6	>6± 30	>30± 120	>120 ±400	>400± 1000		>1000 ±2000	>2000 ±4000	Undimensioned radii
±0.1	±0.1	±0.2	±0.3	±0.5	±0.8	±1.2	±2	Drawing No.	
		Date	Name	Drawing No.			Sheet		
		Designed	27/03/2014	Santini	DP 22425-A			1/1	
		Drawn	09/04/2014	LSantini					
		Checked				<i>Secret and confidential - All rights reserved - No copy, dissemination or circulation is allowed unless specifically authorized in writing by OPTO ENGINEERING S.r.l. - Any violation shall be legally prosecuted.</i>			
OPTO ENGINEERING S.r.l. - Mantova Italy - Tel. +39 0376 699111 - www.opto-engineering.com									

all dimensions are in mm

1 2 3 4 5 6 7 8

0 1 2 3 4 5 6 7 8 9 10