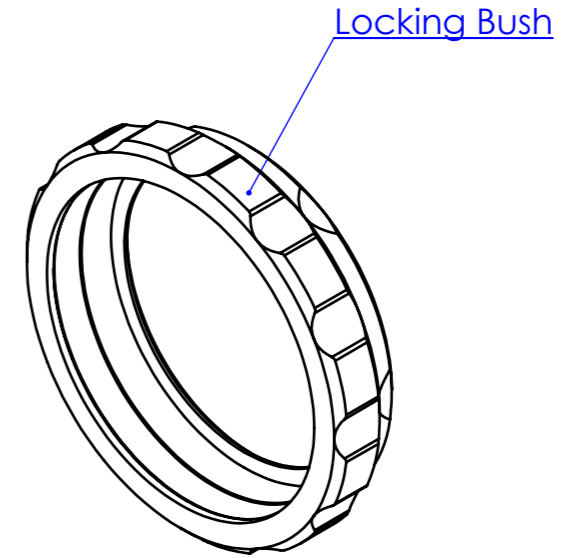
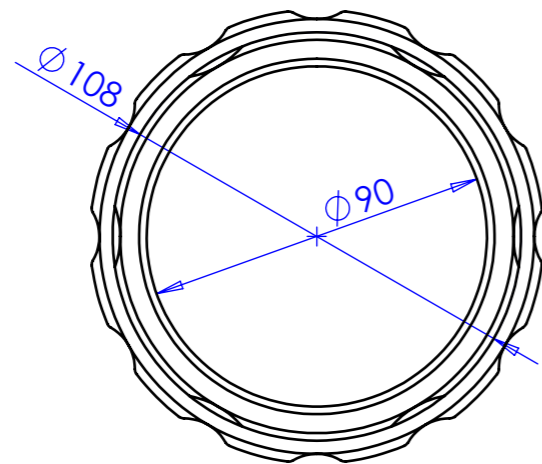
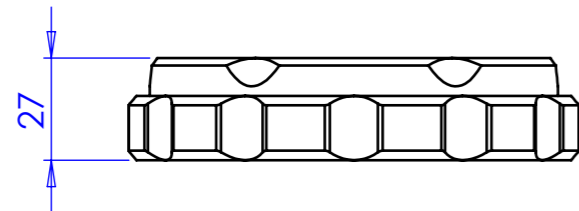
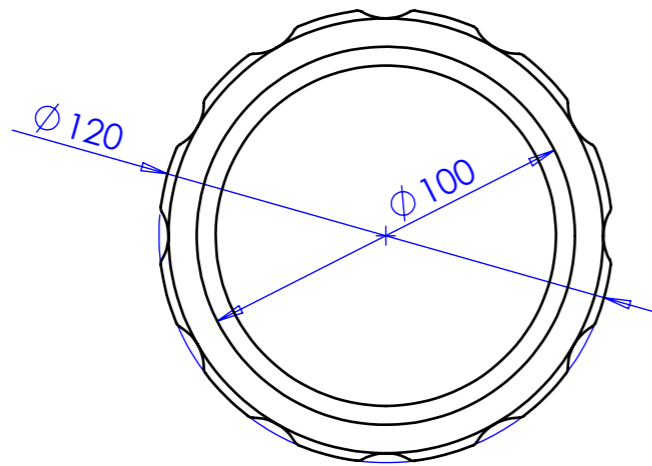


1 2 3 4 5 6 7 8

Rev No.	Description	Date	Name



Material		N.A.		Mass		181 g		Scale		1:2			
Surface treatment		N.A.		Part No.		CO22423							
Geometrical tolerance (ISO 2768-2)								Class		K		Description	
Linear tolerance (ISO 2768-2)								Class		m		Undimensioned bevels	
0.5 ±3		>3± 6		>6± 30		>30± 120		>120 ±400		>400± 1000		>1000 ±2000	
±0.1		±0.1		±0.2		±0.3		±0.5		±0.8		±1.2	
Undimensioned radii								R 0.5		0.5x45°		CMWF064	
				Date		Name		Drawing No.		Sheet			
				Designed		27/03/2014		Santini		DP 22423-A		1/1	
				Drawn		09/04/2014		LSantini					
all dimensions are in mm OPTO ENGINEERING S.r.l. - Mantova Italy - Tel. +39 0376 699111 - www.opto-engineering.com				Checked				Secret and confidential - All rights reserved - No copy, dissemination or circulation is allowed unless specifically authorized in writing by OPTO ENGINEERING S.r.l. - Any violation shall be legally prosecuted.					

1 2 3 4 5 6 7 8

0 1 2 3 4 5 6 7 8 9 10