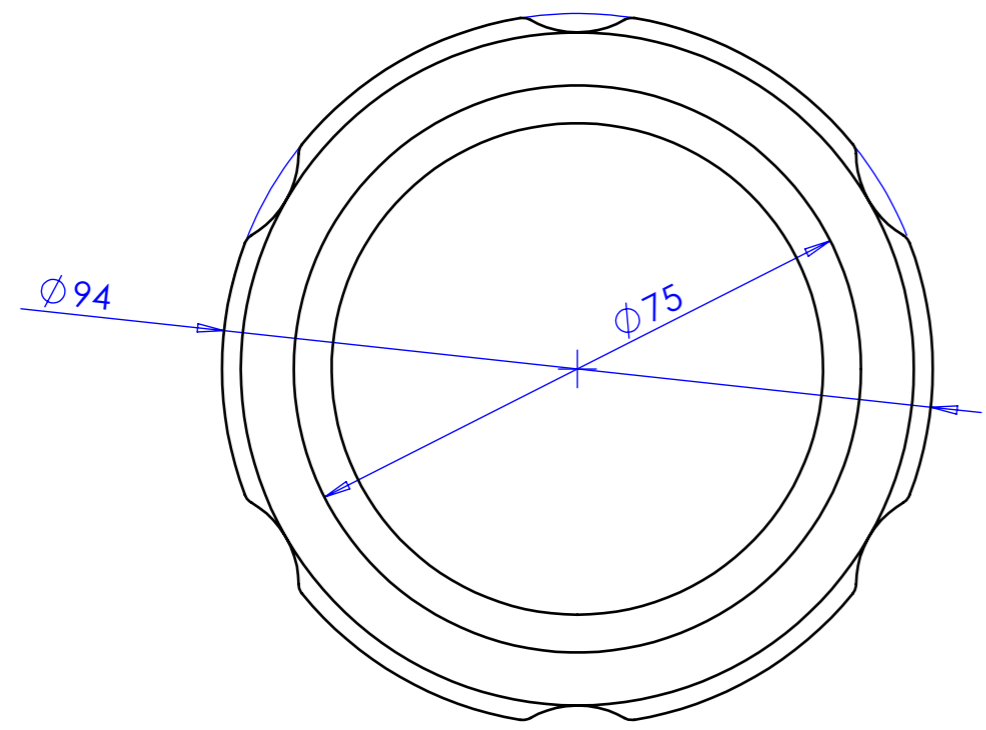
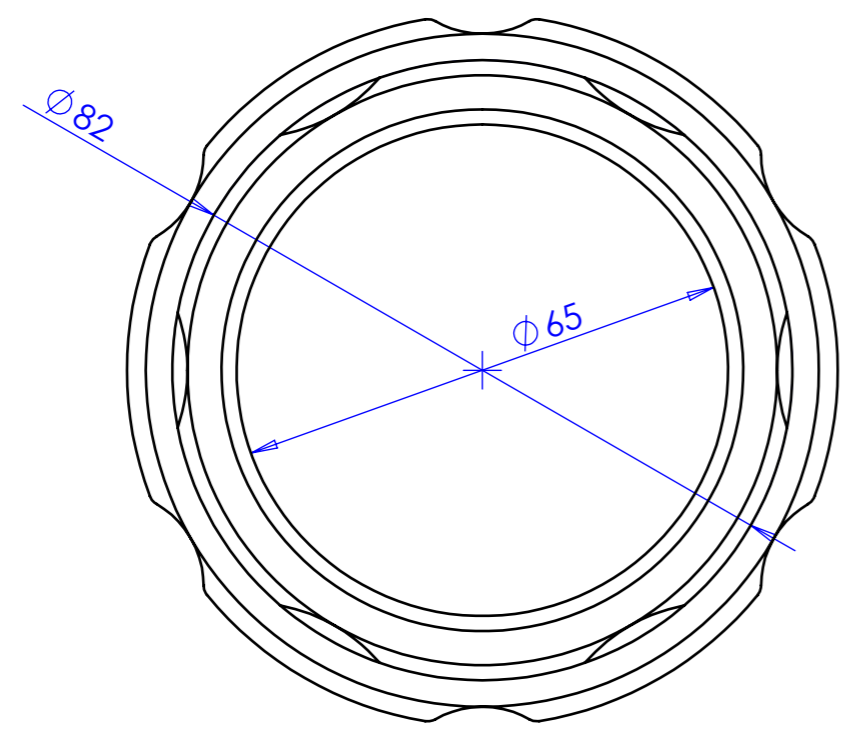
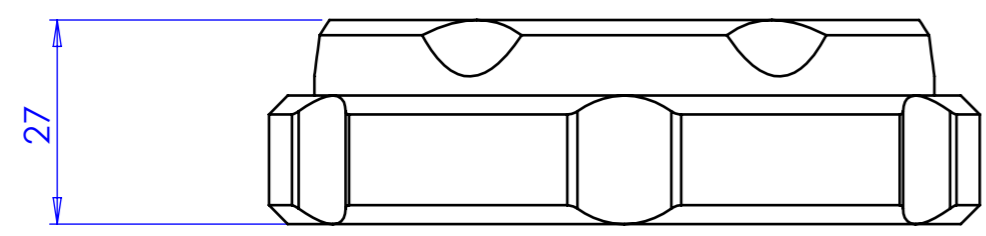
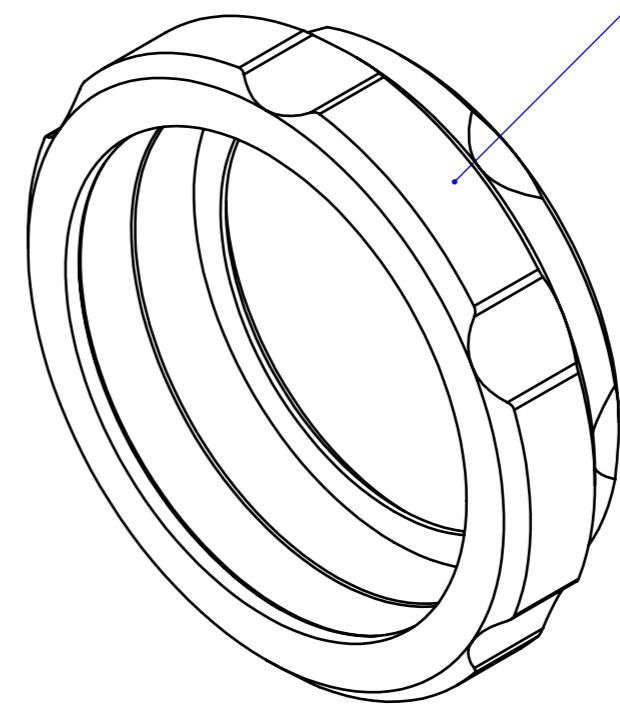


1 2 3 4 5 6 7 8

Rev No.	Description	Date	Name



Locking Bush



Material	N.A.	Mass	132 g	Scale	1:1
Surface treatment	N.A.	Part No.	CO22421		
Geometrical tolerance (ISO 2768-2)		Class	K	Undimensioned bevels	0.5x45°
Linear tolerance (ISO 2768-2)		Class	m	Undimensioned radii	R 0.5
0.5 ±3	>3± 6	>6± 30	>30± 120	>120 ±400	>400± 1000
±0.1	±0.1	±0.2	±0.3	±0.5	±0.8
					>1000 ±2000
					±4000
					±2
		Date	Name	Drawing No.	Sheet
Designed		27/03/2014	Santini	DP 22421 -A	1/1
Drawn		09/04/2014	LSantini		
Checked					
all dimensions are in mm					
OPTO ENGINEERING S.r.l. - Mantova Italy - Tel. +39 0376 699111 - www.opto-engineering.com					
Secret and confidential - All rights reserved - No copy, dissemination or circulation is allowed unless specifically authorized in writing by OPTO ENGINEERING S.r.l. - Any violation shall be legally prosecuted.					

1 2 3 4 5 6 7 8

0 1 2 3 4 5 6 7 8 9 10