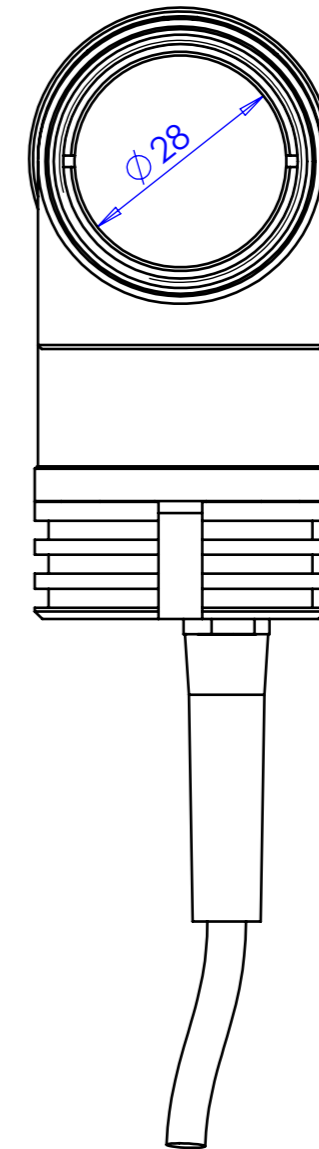
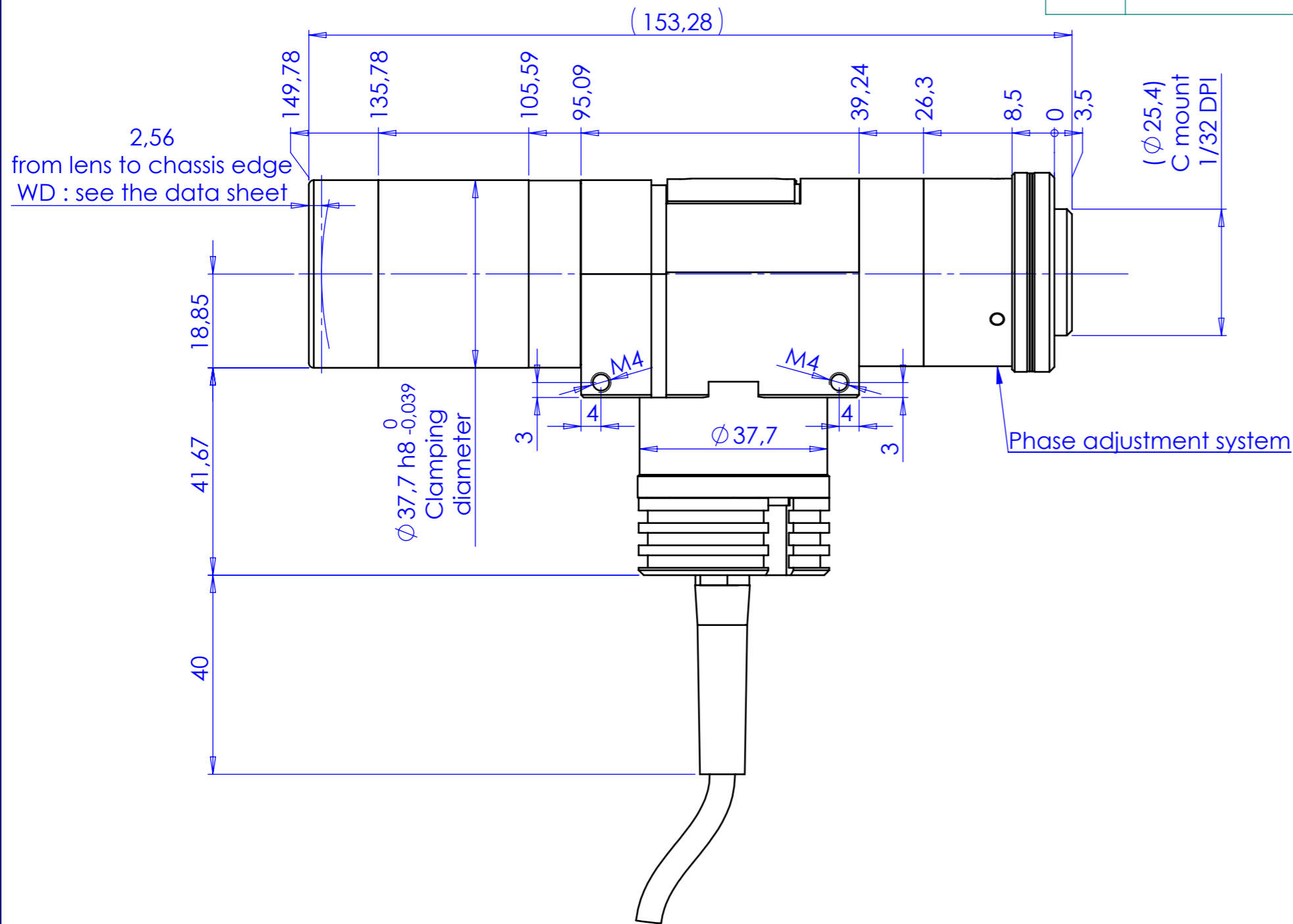


Rev No.	Description	Date	Name
B	Redesign	06/11/2014	Vasconetto



Material	N.A.		Mass	506 g	Scale	1:1
Surface treatment	N.A.		Part No.	CO22259		
Geometrical tolerance (ISO 2768-2)	Class	K	Undimensioned bevels	0,5x45°		
Linear tolerance (ISO 2768-2)	Class	m	Undimensioned radii	R 0,5		
0,5 ±3	>3± 6	>6± 30	>30± 120	>120 ±400	>400± 1000	>1000 ±2000
±0,1	±0,1	±0,2	±0,3	±0,5	±0,8	±1,2
 OPTO ENGINEERING S.r.l. - Mantova Italy - Tel. +39 0376 699111 - www.opto-engineering.com	Date	Name	Drawing No.			
	Designed	04/04/2014	Santini	DP 22259-B		
	Drawn	04/04/2014	Santini	Sheet		
Checked			1/1			
<i>Secret and confidential - All rights reserved - No copy, dissemination or circulation is allowed unless specifically authorized in writing by OPTO ENGINEERING S.r.l. - Any violation shall be legally prosecuted.</i>						

all dimensions are in mm