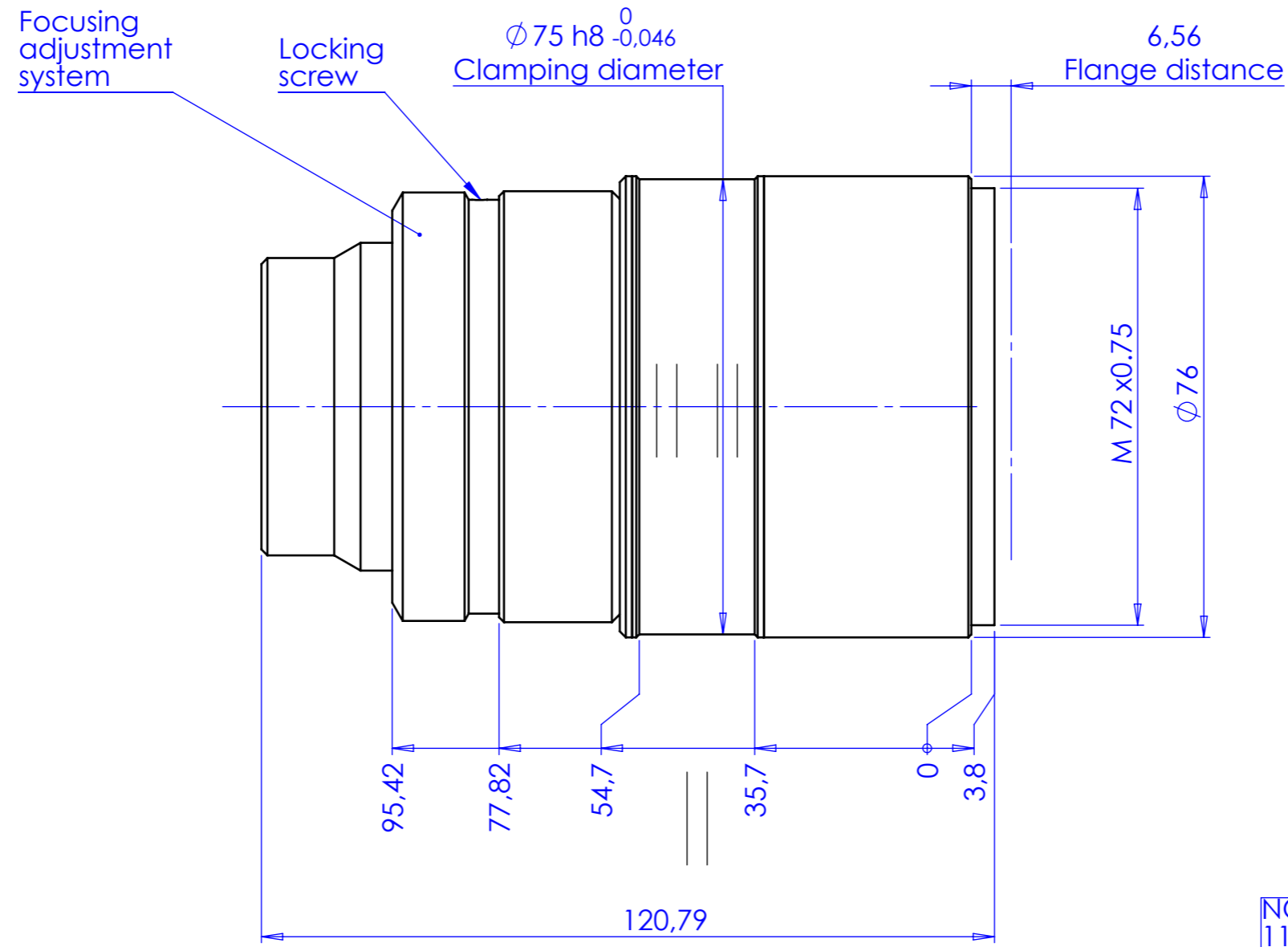


1 2 3 4 5 6 7 8

Rev No.	Description	Date	Name



NOMINAL WORKING DISTANCE  
1102,5 mm ±3%

Material	N.A.		Mass	760 g	Scale	1:1
Surface treatment	N.A.		Part No.	CO21211		
Geometrical tolerance (ISO 2768-2)			Class	K	Undimensioned bevels	
Linear tolerance (ISO 2768-2)			Class	m	0,5x45°	
0.5	>3	>6	>30	>120	>400	>1000
±3	6	30	120	±400	1000	±2000
±0.1	±0.1	±0.2	±0.3	±0.5	±0.8	±1.2
Undimensioned radii			R 0.5		Description	
					MC12K008X-R	
			Date	Name	Drawing No.	Sheet
			Designed	18/06/2014	Santini	DP 21211 -A
			Drawn	23/09/2014	Rodella	
			Checked			
			Secret and confidential - All rights reserved - No copy, dissemination or circulation is allowed unless specifically authorized in writing by OPTO ENGINEERING S.r.l. - Any violation shall be legally prosecuted.			

all dimensions are in mm



OPTO ENGINEERING S.r.l. - Mantova Italy - Tel. +39 0376 699111 - www.opto-engineering.com

1 2 3 4 5 6 7 8

0 1 2 3 4 5 6 7 8 9 10