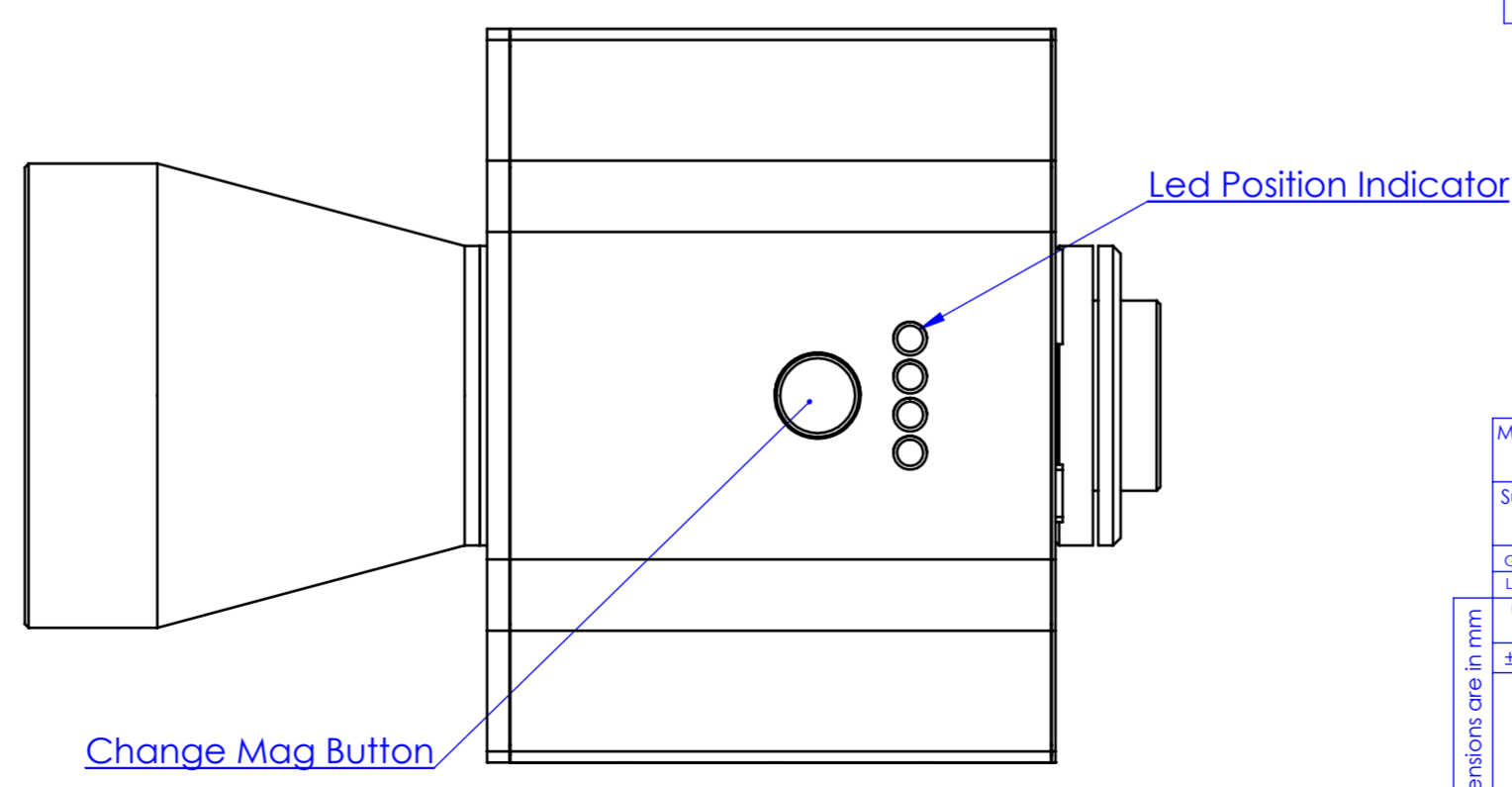
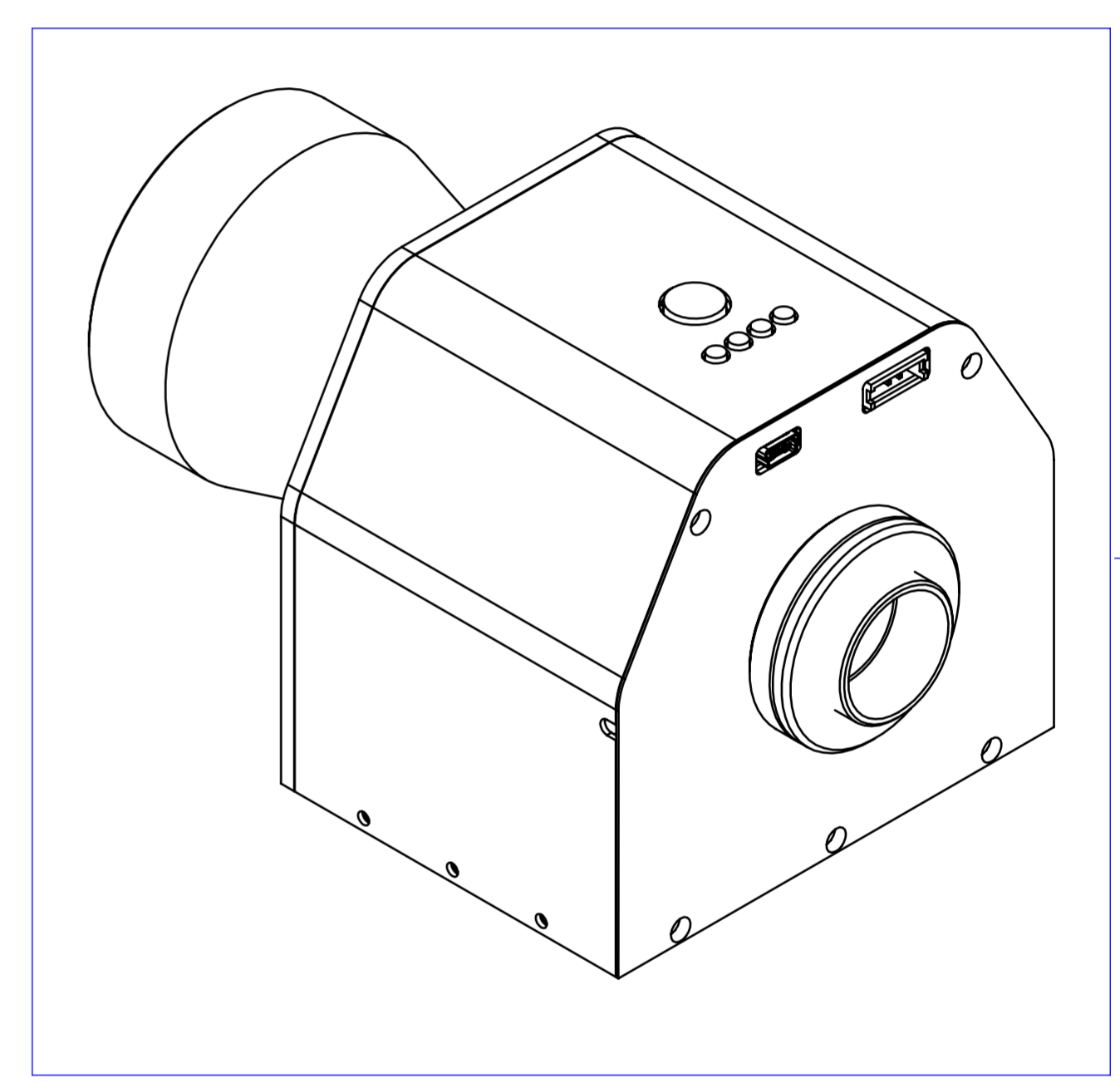
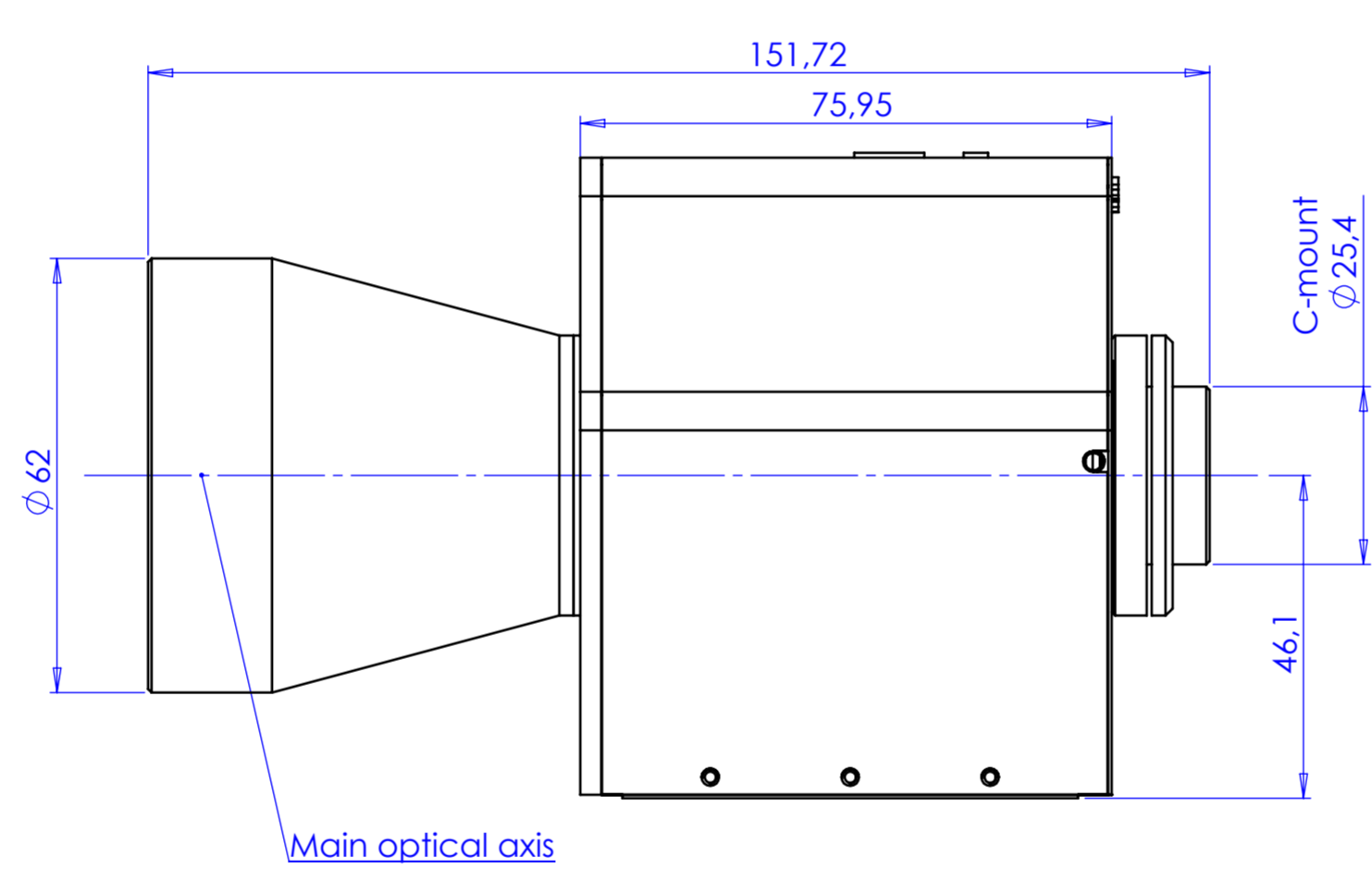
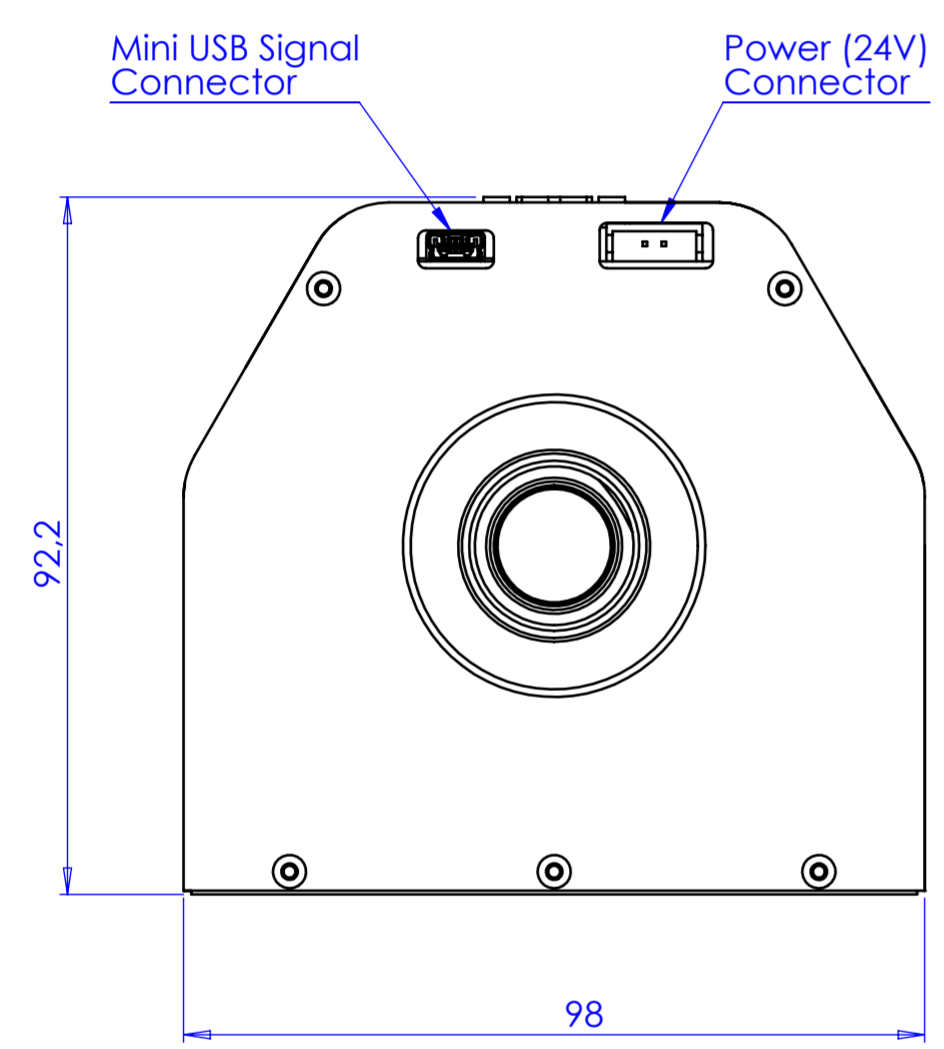
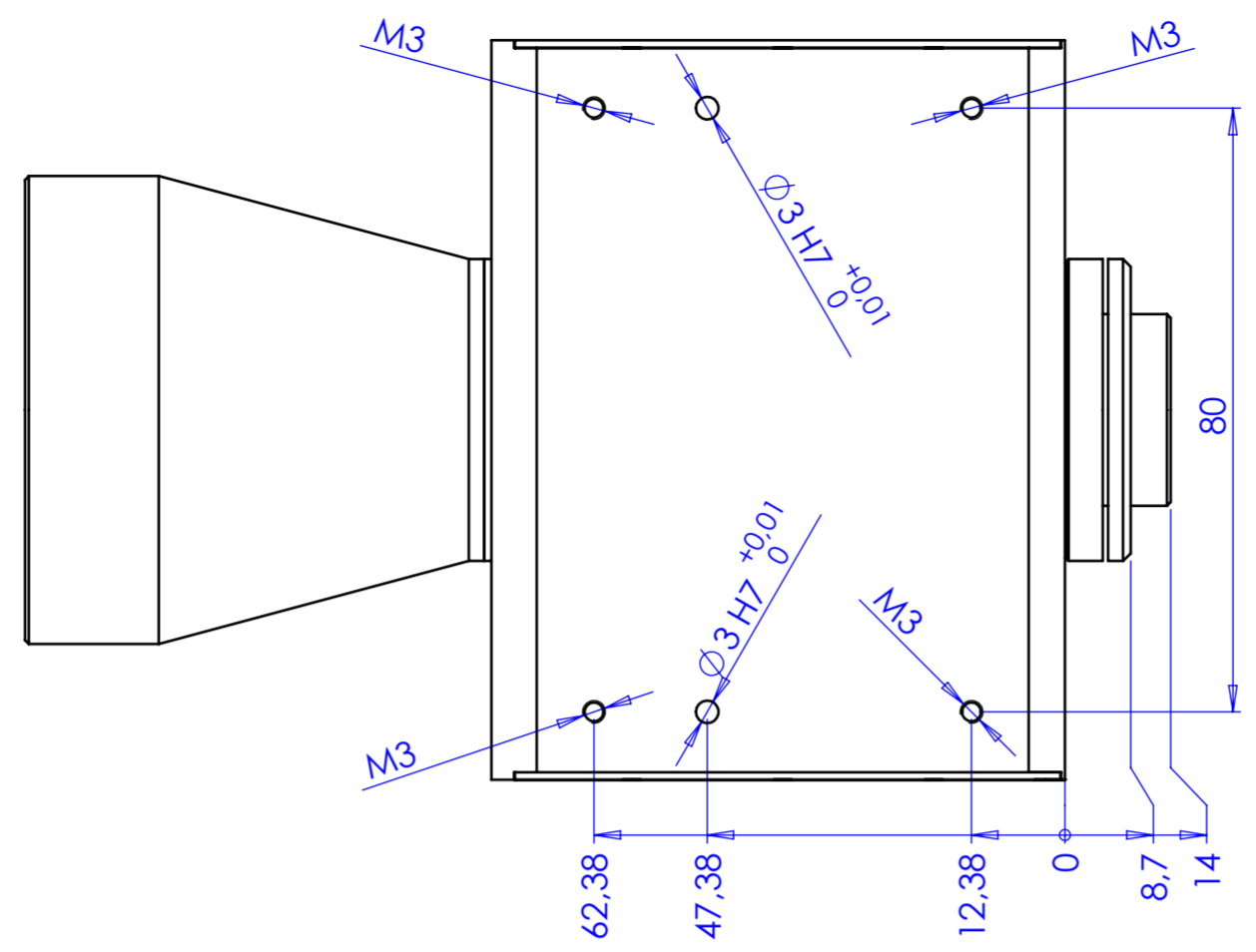


Rev No.	Description	Date	Name



Material	N.A.	Mass	1153.5 g	Scale	1:1				
Surface treatment	N.A.	Part No.	CO21123						
Geometrical tolerance (ISO 2768-2)	Class	K	Undimensioned bevels	0.5x45°	Description				
Linear tolerance (ISO 2768-2)	Class	m	Undimensioned radii	R 0.5	MCZR033-008				
0.5	>3+	>6+	>30+	>120	>400+	>1000	>2000	>4000	Drawing No. DP 21123-A Sheet 1/1
+3	6	30	120	+400	1000	+2000	+4000		
+0.1	±0.1	±0.2	±0.3	±0.5	±0.8	±1.2	±2		
		Date	Name		Drawing No. DP 21123-A Sheet 1/1				
Designed 03/09/2014 Santini		Drawn 19/03/2015 Rodella							
Checked		Date							
OPTO ENGINEERING S.r.l. - Mantova Italy - Tel. +39 0376 699111 - www.opto-engineering.com									

all dimensions are in mm

*Secret and confidential - All rights reserved - No copy, dissemination or circulation is allowed unless specifically authorized in writing by OPTO ENGINEERING S.r.l. - Any violation shall be legally prosecuted.*