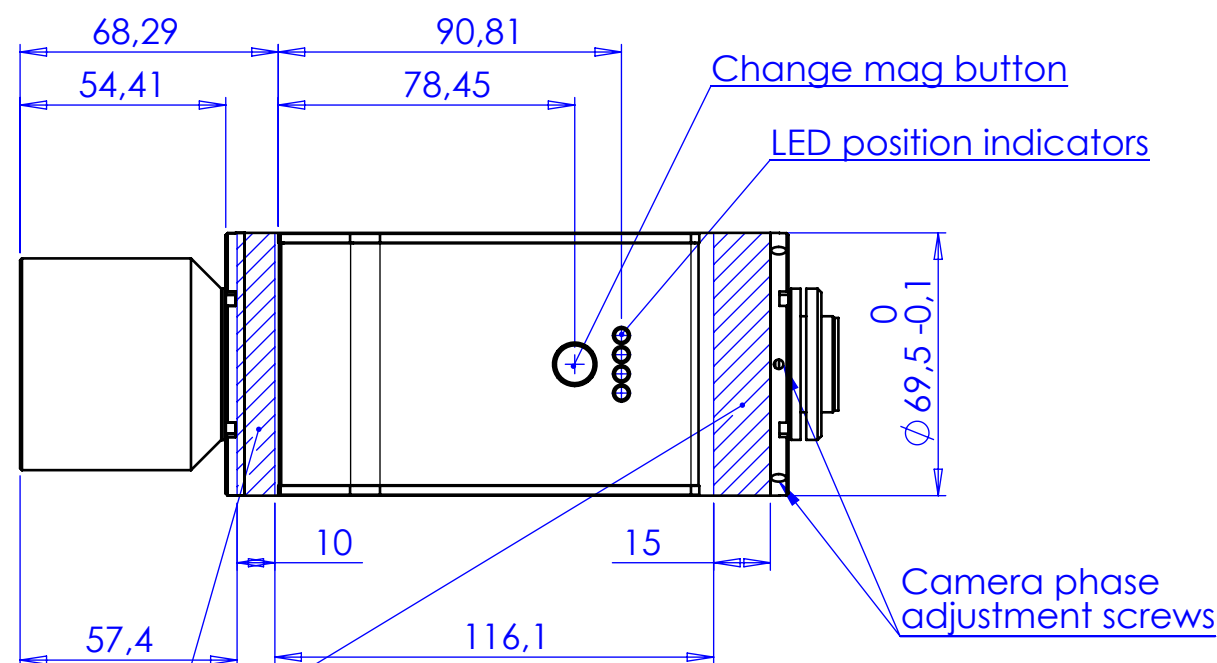
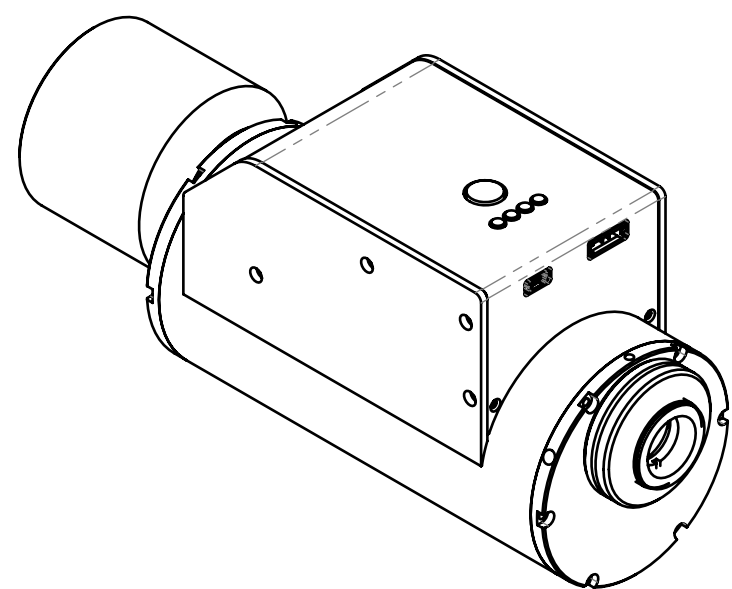
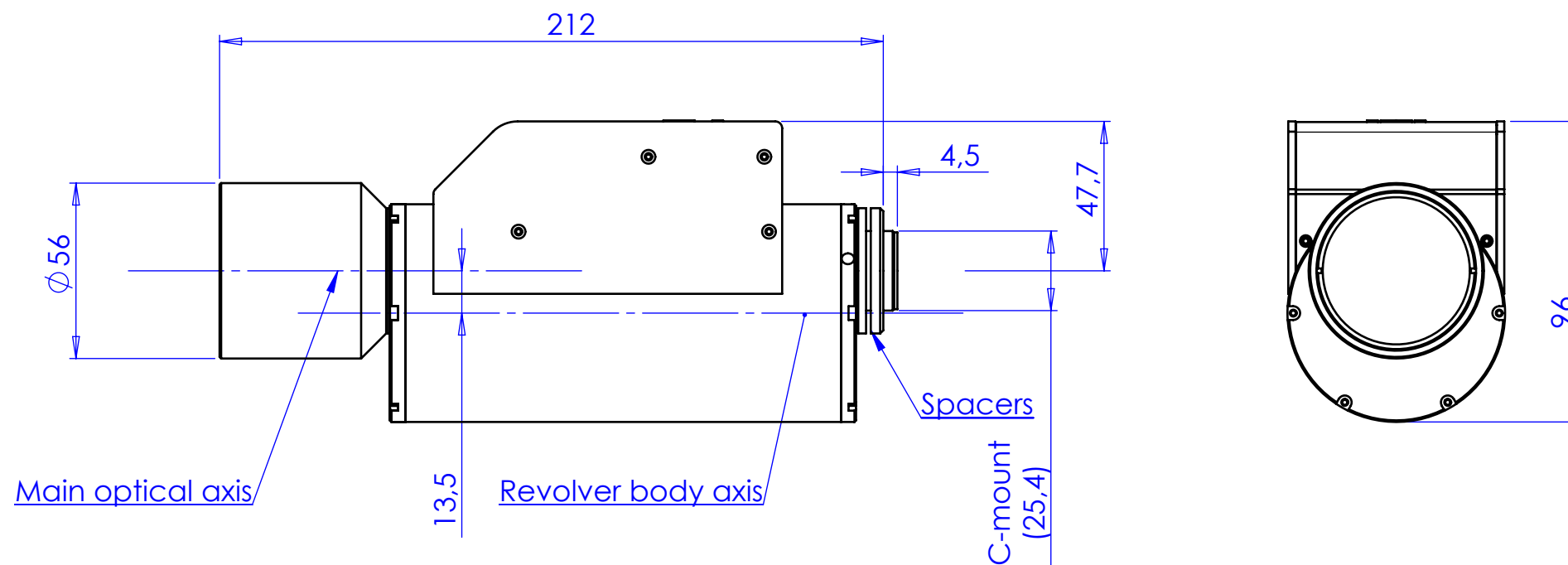
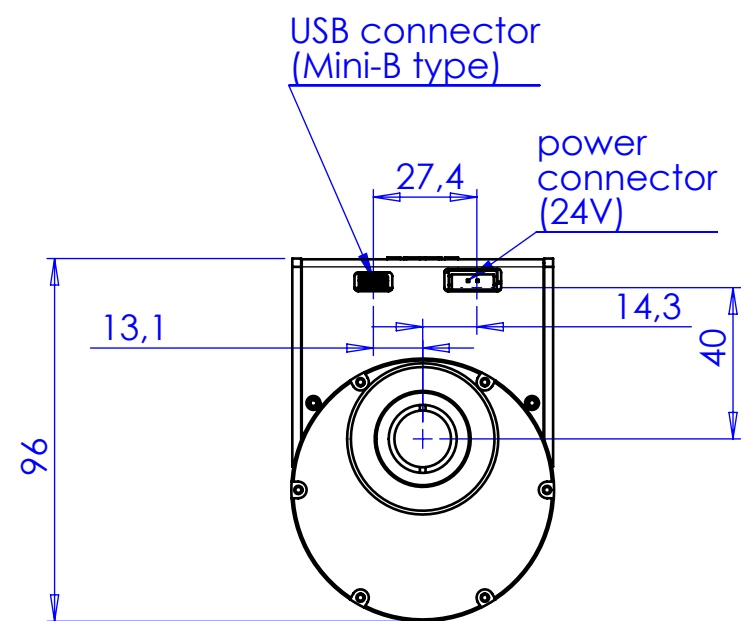


Rev No.	Description	Date	Name



Material	N.A.		Mass	1.62 kg	Scale	1:2
Surface treatment	N.A.		Part No.	CO15089		
Geometrical tolerance (ISO 2768-2)			Class		K	Description TC ZR 036
Linear tolerance (ISO 2768-2)			Class		m	
0.5 ±3	>3± 6	>6± 30	>30± 120	>120 ±400	>400± 1000	>1000 ±2000
±0.1	±0.1	±0.2	±0.3	±0.5	±0.8	±1.2
Undimensioned bevels			0,5x45°		Undimensioned radii	
R 0.5			Date		Name	
Designed			30/01/2014		A.Vismara	
Drawn			04/04/2014		A.Vismara	
Checked						
Drawing No.			DP 15089-A		Sheet 1/1	
<p>all dimensions are in mm</p> <p>OPTO ENGINEERING THE TELECENTRIC COMPANY</p> <p>OPTO ENGINEERING S.r.l. - Mantova Italy - Tel. +39 0376 699111 - www.opto-engineering.com</p> <p>Secret and confidential - All rights reserved - No copy, dissemination or circulation is allowed unless specifically authorized in writing by OPTO ENGINEERING S.r.l. - Any violation shall be legally prosecuted.</p>						