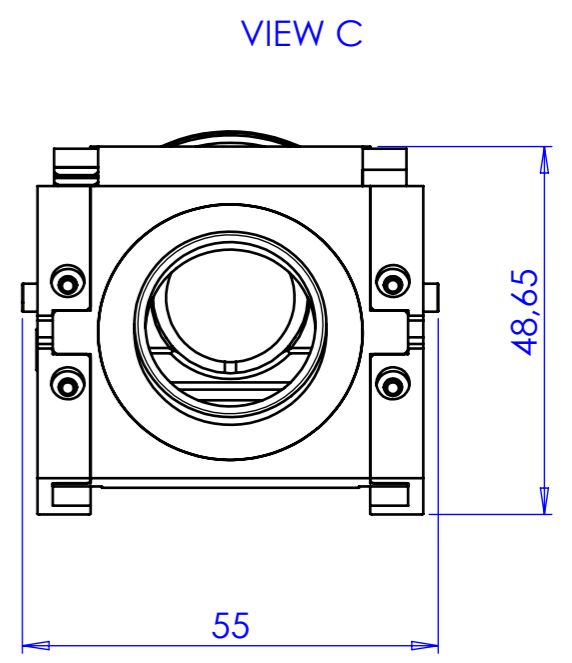
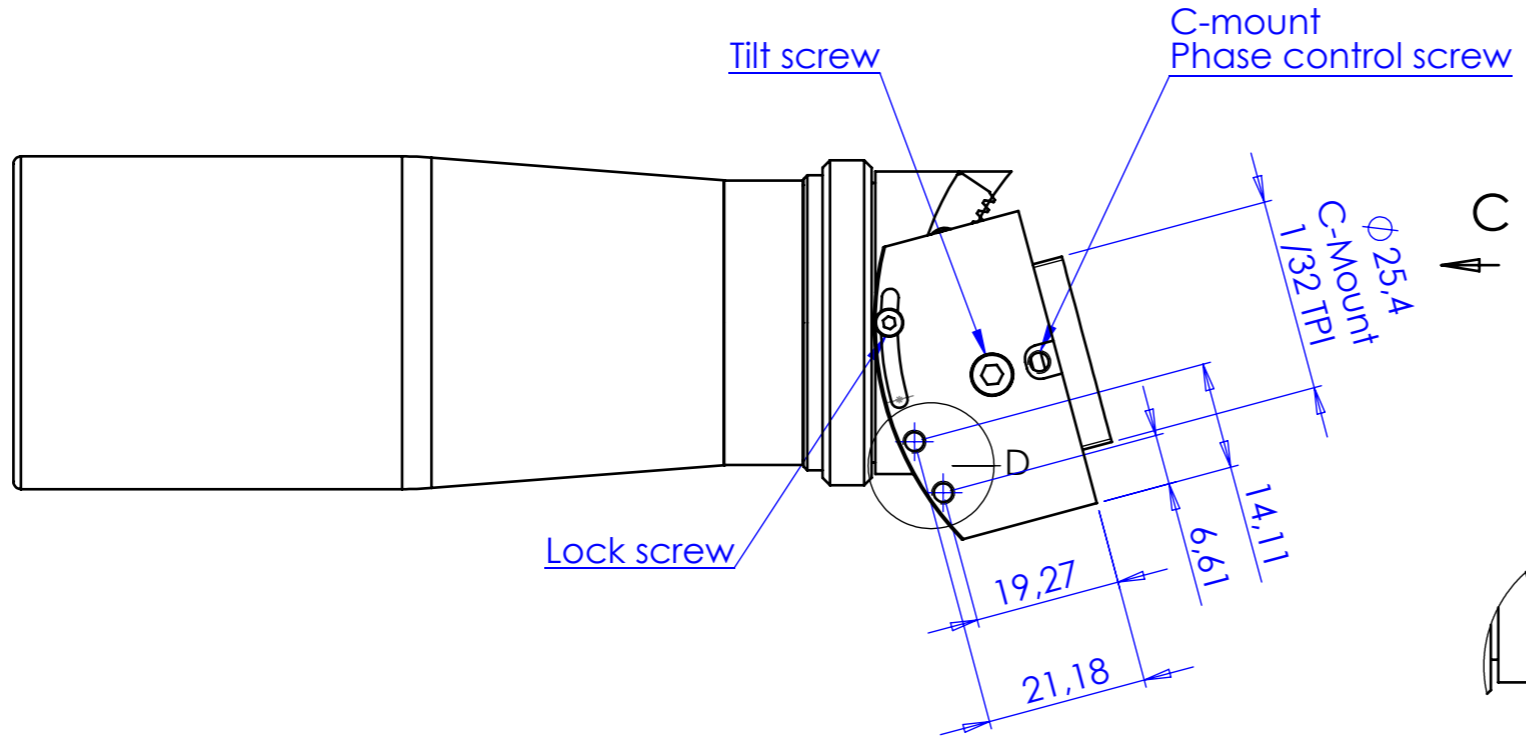
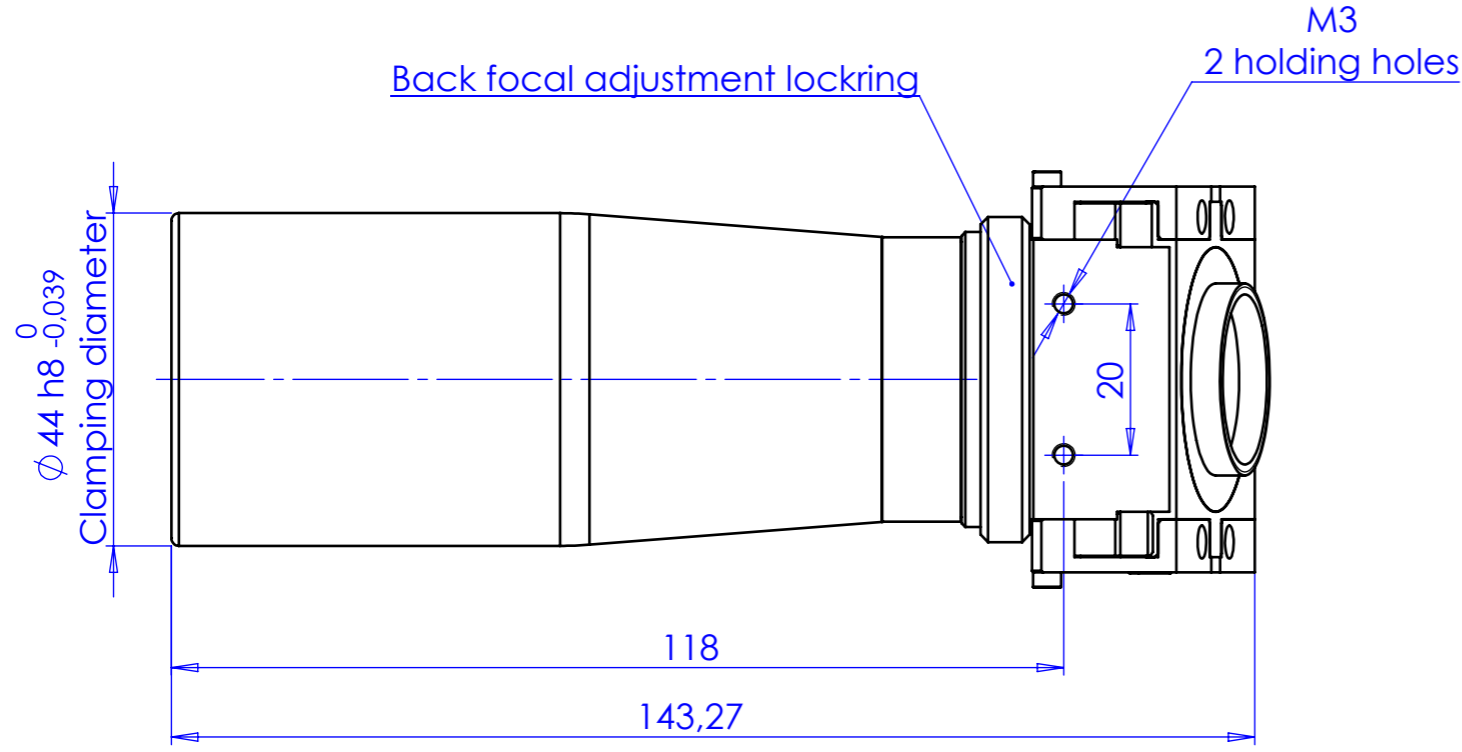
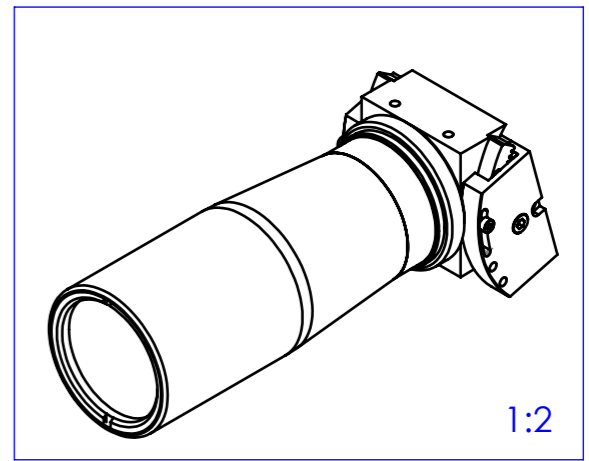


Rev No.	Description	Date	Name



DETAIL D
SCALE 2 : 1



Material	N.A.		Mass	410.52 g	Scale	1:1
Surface treatment	N.A.		Part No.	CO50161		
Geometrical tolerance (ISO 2768-2)			Class	K	Undimensioned bevels	0.5x45°
Linear tolerance (ISO 2768-2)			Class	m	Undimensioned radii	R 0.5
0.5	>3	>6	>30	>120	>400	>1000
±3	6	30	120	±400	1000	±2000
±0.1	±0.1	±0.2	±0.3	±0.5	±0.8	±1.2
Date			Name			
Designed			14/01/2015 N.Santini			
Drawn			08/10/2015 Rodella			
Checked						
Drawing No.			Sheet			
DP 50161 -A			1/1			
Secret and confidential - All rights reserved - No copy, dissemination or circulation is allowed unless specifically authorized in writing by OPTO ENGINEERING S.r.l. - Any violation shall be legally prosecuted.						

all dimensions are in mm

