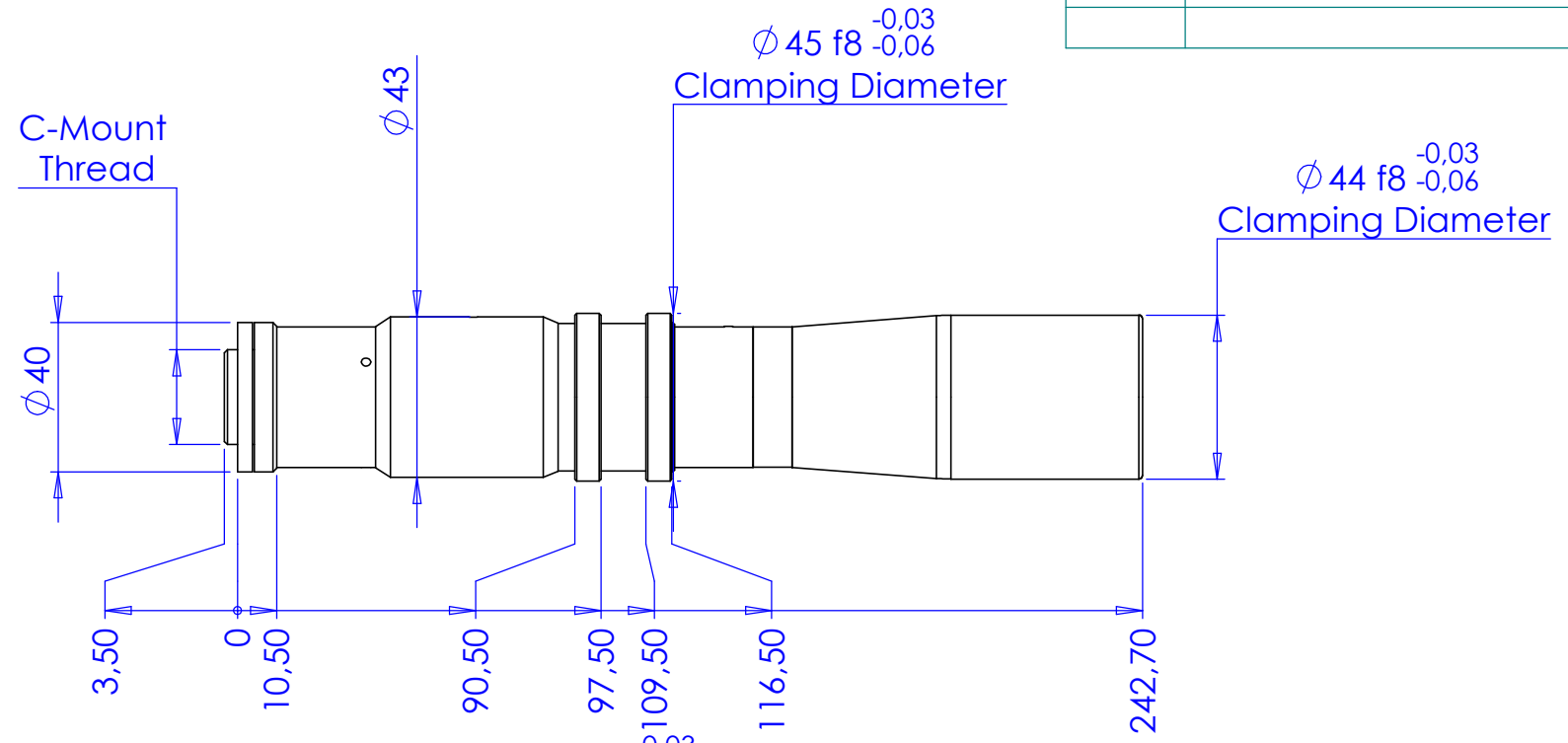
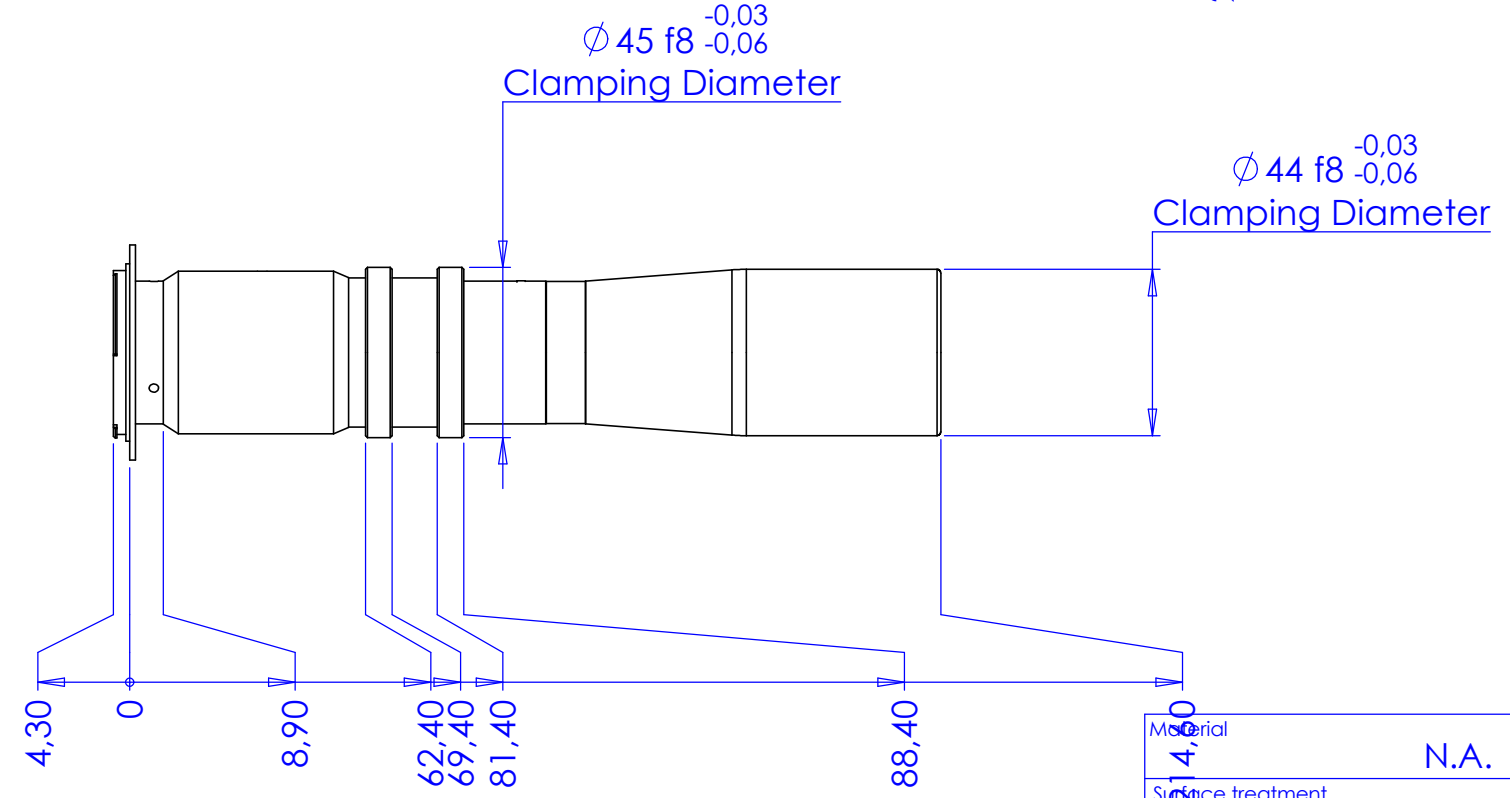


Rev No.	Description	Date	Name
A	New Part	05/05/2003	A.Vismara



TC 2M 24/C  
C-Mount



TC 2M 24/F  
F-Mount

Material	N.A.		Mass	350 g	Scale	1:2																				
Surface treatment	N.A.		Project-Prod.item/Instrument TC 2M 24																							
Geometrical tolerance (ISO 2768-2)			Description																							
<table border="1"> <thead> <tr> <th>Class</th> <th>K</th> <th>Undimensioned bevels</th> <th>Undimensioned radii</th> </tr> </thead> <tbody> <tr> <td>0.5</td> <td>&gt;3±</td> <td>&gt;6±</td> <td>0.5x45°</td> </tr> <tr> <td>±3</td> <td>6</td> <td>30</td> <td>R 0.5</td> </tr> </tbody> </table>			Class	K	Undimensioned bevels	Undimensioned radii	0.5	>3±	>6±	0.5x45°	±3	6	30	R 0.5	Layout											
Class	K	Undimensioned bevels	Undimensioned radii																							
0.5	>3±	>6±	0.5x45°																							
±3	6	30	R 0.5																							
<table border="1"> <thead> <tr> <th>Class</th> <th>K</th> <th>Undimensioned bevels</th> <th>Undimensioned radii</th> </tr> </thead> <tbody> <tr> <td>&gt;30±</td> <td>&gt;120</td> <td>&gt;400±</td> <td>&gt;1000</td> </tr> <tr> <td>±0.1</td> <td>±0.1</td> <td>±0.2</td> <td>±0.3</td> </tr> <tr> <td>±0.3</td> <td>±0.5</td> <td>±0.8</td> <td>±1.2</td> </tr> <tr> <td>±1.0</td> <td>±2.0</td> <td>±4.0</td> <td>±10.0</td> </tr> </tbody> </table>			Class	K	Undimensioned bevels	Undimensioned radii	>30±	>120	>400±	>1000	±0.1	±0.1	±0.2	±0.3	±0.3	±0.5	±0.8	±1.2	±1.0	±2.0	±4.0	±10.0	Drawing No. 21583-0-A			
Class	K	Undimensioned bevels	Undimensioned radii																							
>30±	>120	>400±	>1000																							
±0.1	±0.1	±0.2	±0.3																							
±0.3	±0.5	±0.8	±1.2																							
±1.0	±2.0	±4.0	±10.0																							
			Date		Name																					
Designed			17/07/2006		A.Vismara																					
Draw			17/07/2006		A.Vismara																					
Checked			X		C. Sedazzari																					
Reproduction forbidden without specific authorization																										
OPTO ENGINEERING S.R.L. - 46100 Mantova Italy - Via Cremona, 29/2 - Tel. +39 0376 263525 - e-mai: info@opto-engineering.com - http://www.opto-engineering.com																										