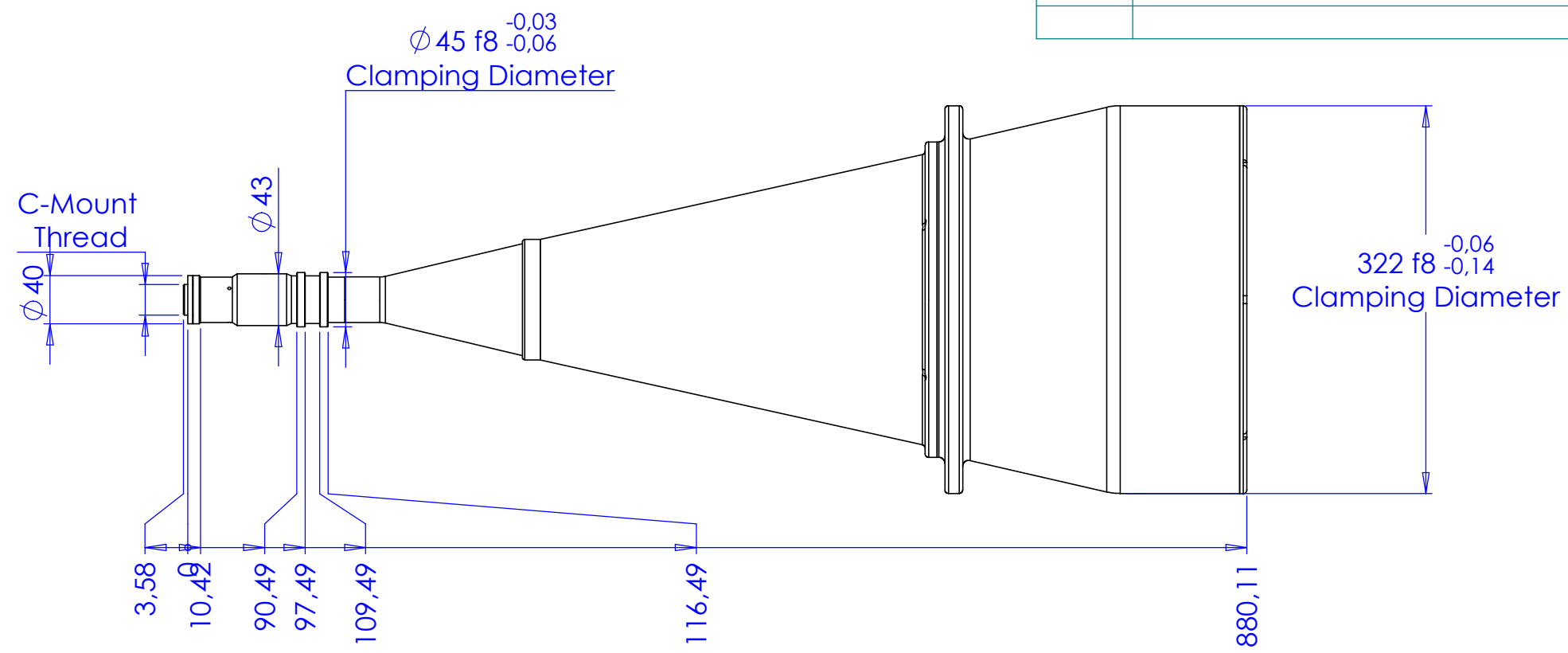
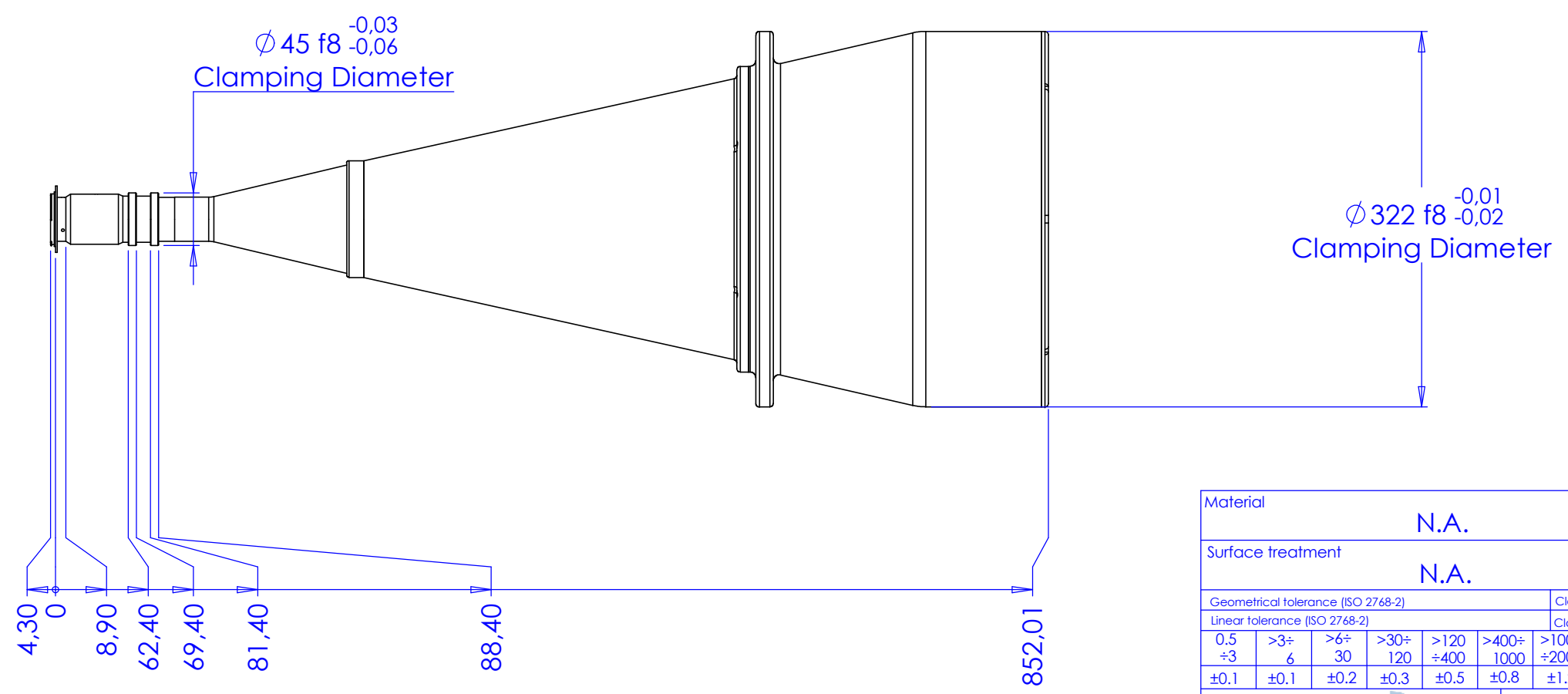


| Rev No. | Description | Date | Name |
|---------|-------------|------------|-----------|
| A | New Part | 05/05/2003 | A.Vismara |
| | | | |



TC 4M 240/C
C-Mount



TC 4M 172/F
F-Mount

| | | | | | | | |
|------------------------------------|----------|------------|---|---|---------------|-----------------------|----------------|
| Material | N.A. | | Mass | 19645 g | Scale | 1:5 | |
| Surface treatment | N.A. | | Project-Prod.item/Instrument TC 4M 240 | | | | |
| Geometrical tolerance (ISO 2768-2) | | Class | K | Undimensioned bevels | 0.5x45° | Description Layout | |
| Linear tolerance (ISO 2768-2) | | Class | m | Undimensioned radii | R 0.5 | | |
| 0.5 ±3 | >3± 6 | >6± 30 | >30± 120 | >120 ±400 | >400± 1000 | >1000 ±2000 | >2000 ±4000 |
| ±0.1 | ±0.1 | ±0.2 | ±0.3 | ±0.5 | ±0.8 | ±1.2 | ±2 |
| | | Date | Name | Drawing No. | | Sheet | |
| Designed | | 17/07/2006 | A.Vismara | 21578-0-A | | 1/1 | |
| Draw | | 17/07/2006 | A.Vismara | Reproduction forbidden without specific authorization | | | |
| Checked | | X | C. Sedazzari | http://www.opto-engineering.com | | | |