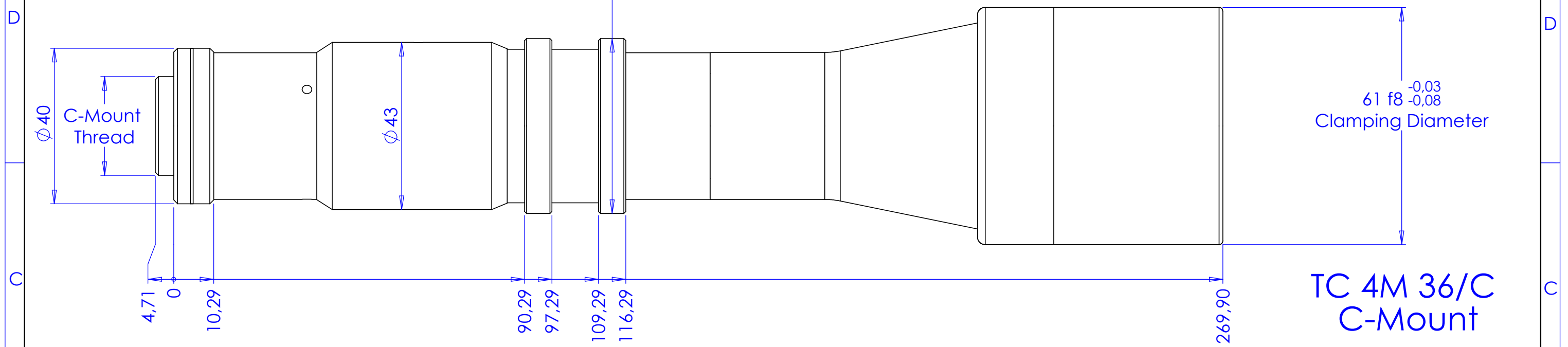
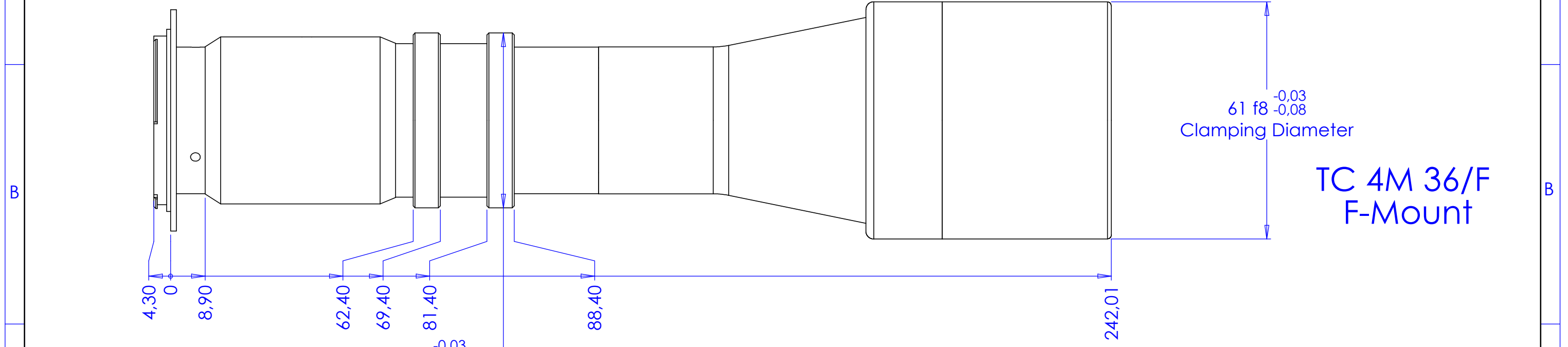


Rev No.	Description	Date	Name
A	New Part	05/05/2003	A.Vismara



TC 4M 36/C
C-Mount



TC 4M 36/F
F-Mount

Material	N.A.		Mass	520 g	Scale	1:1																																																												
Surface treatment	N.A.		Project-Prod.item/Instrument TC 4M 36																																																															
Geometrical tolerance (ISO 2768-2)			Description Layout																																																															
<table border="1"> <thead> <tr> <th>Linear tolerance (ISO 2768-2)</th> <th>Class</th> <th>K</th> <th>Undimensioned bevels</th> <th>Undimensioned radii</th> </tr> </thead> <tbody> <tr> <td>0.5</td> <td>Class</td> <td>m</td> <td>0.5x45°</td> <td>R 0.5</td> </tr> <tr> <td>±3</td> <td>>3±</td> <td>>6±</td> <td></td> <td></td> </tr> <tr> <td></td> <td>6</td> <td>30</td> <td></td> <td></td> </tr> <tr> <td></td> <td>>30±</td> <td>>120</td> <td></td> <td></td> </tr> <tr> <td></td> <td>120</td> <td>>120</td> <td></td> <td></td> </tr> <tr> <td></td> <td>±400</td> <td>>400±</td> <td></td> <td></td> </tr> <tr> <td></td> <td>1000</td> <td>>1000</td> <td></td> <td></td> </tr> <tr> <td></td> <td>±2000</td> <td>>2000</td> <td></td> <td></td> </tr> <tr> <td></td> <td>±4000</td> <td>>4000</td> <td></td> <td></td> </tr> <tr> <td>±0.1</td> <td>±0.1</td> <td>±0.2</td> <td>±0.3</td> <td>±0.5</td> </tr> <tr> <td></td> <td></td> <td>±0.8</td> <td>±1.2</td> <td>±2</td> </tr> </tbody> </table>			Linear tolerance (ISO 2768-2)	Class	K	Undimensioned bevels	Undimensioned radii	0.5	Class	m	0.5x45°	R 0.5	±3	>3±	>6±				6	30				>30±	>120				120	>120				±400	>400±				1000	>1000				±2000	>2000				±4000	>4000			±0.1	±0.1	±0.2	±0.3	±0.5			±0.8	±1.2	±2	Drawing No. 21563-0-A			
Linear tolerance (ISO 2768-2)	Class	K	Undimensioned bevels	Undimensioned radii																																																														
0.5	Class	m	0.5x45°	R 0.5																																																														
±3	>3±	>6±																																																																
	6	30																																																																
	>30±	>120																																																																
	120	>120																																																																
	±400	>400±																																																																
	1000	>1000																																																																
	±2000	>2000																																																																
	±4000	>4000																																																																
±0.1	±0.1	±0.2	±0.3	±0.5																																																														
		±0.8	±1.2	±2																																																														
<p>OPTO ENGINEERING THE TELECENTRIC COMPANY</p>			Date	Name	Drawing No.	Sheet																																																												
			Designed	17/07/2006	A.Vismara	21563-0-A	1/1																																																											
			Draw	17/07/2006	A.Vismara																																																													
Checked	X	C. Sedazzari	Reproduction forbidden without specific authorization																																																															
OPTO ENGINEERING S.r.l. - 46100 Mantova Italy - Via Cremona, 29/2 - Tel. +39 0376 263525 - e-mai: info@opto-engineering.com - http://www.opto-engineering.com																																																																		