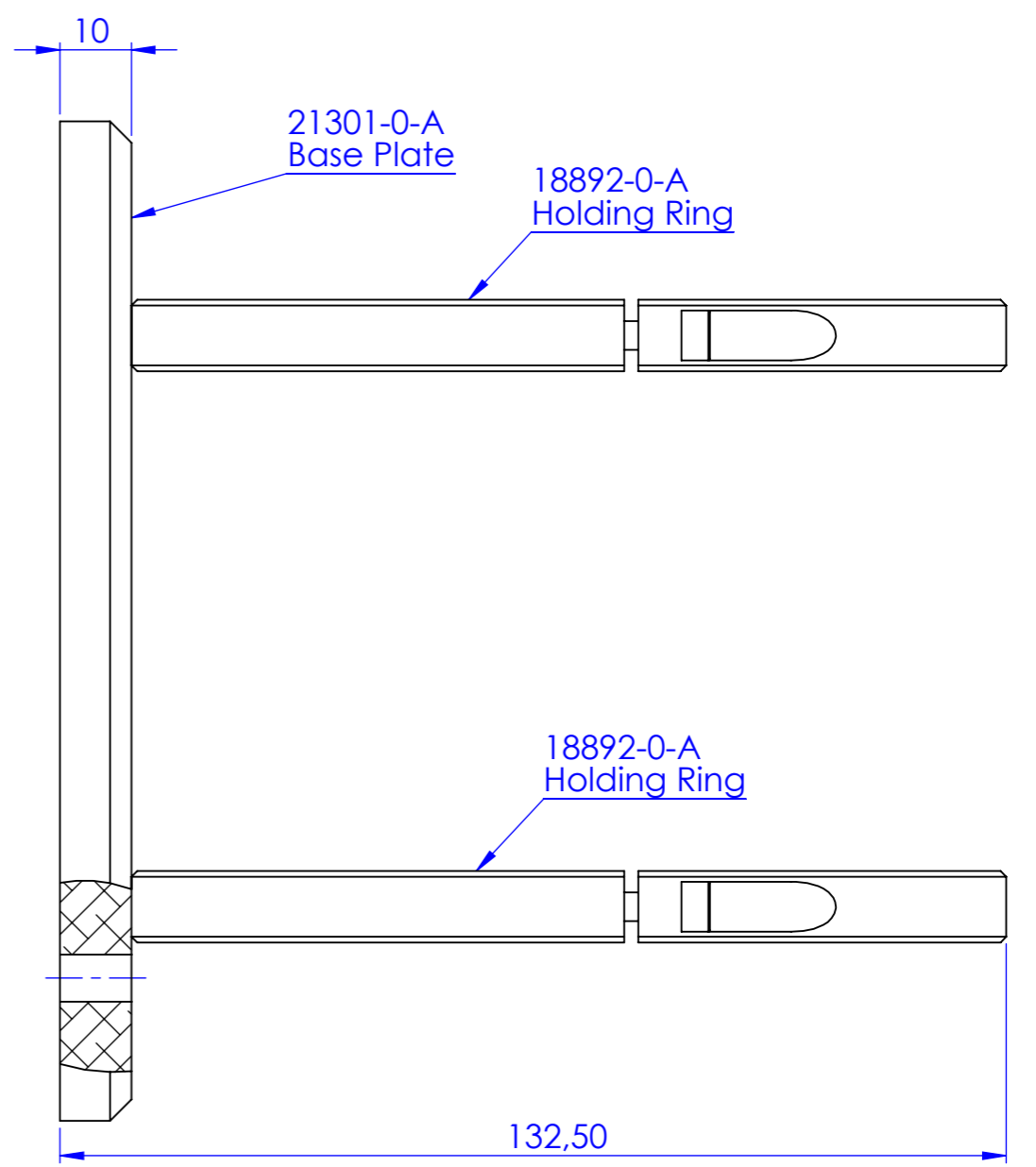



| Rev No. | Description | Date | Name |
|---------|-------------|----------|--------------|
| A | New Part | 07/03/13 | A.Vasconetto |



| | | | | | | |
|--|------|------|--|-----------------------|----------------------|---------|
| Material | N.A. | | Mass | 720 g | Scale | 1:1 |
| Surface treatment | N.A. | | Project-Prod.item/Instrument CMHOMC12K200 | | | |
| Geometrical tolerance (ISO 2768-2) | | | Class | K | Undimensioned bevels | 0.5x45° |
| Linear tolerance (ISO 2768-2) | | | Class | m | Undimensioned radii | R 0.5 |
| 0.5 | >3 | >6 | >30 | >120 | >400 | >1000 |
| ±3 | ±6 | ±30 | ±120 | ±400 | ±1000 | ±2000 |
| ±0.1 | ±0.1 | ±0.2 | ±0.3 | ±0.5 | ±0.8 | ±1.2 |
| | | | | | | ±2 |
|  OPTO ENGINEERING <small>THE TELECENTRIC COMPANY</small> | | | Date | Name | Drawing No. | Sheet |
| | | | Designed | 06/03/13 A.Vasconetto | 21320-1-A | 1/2 |
| | | | Draw | 06/03/13 A.Vasconetto | | |
| | | | Checked | X C.Sedazzari | | |
| OPTO ENGINEERING S.r.l. - 46100 Mantova Italy - Via Cremona, 29/2 - Tel. +39 0376 263525 - e-mail: info@opto-engineering.com - http://www.opto-engineering.com | | | | | | |

A

A

D

D

C

C

B

B

140

111

0

30,50

55,50

80,50

111

120

95

45

20

0

10

132,50

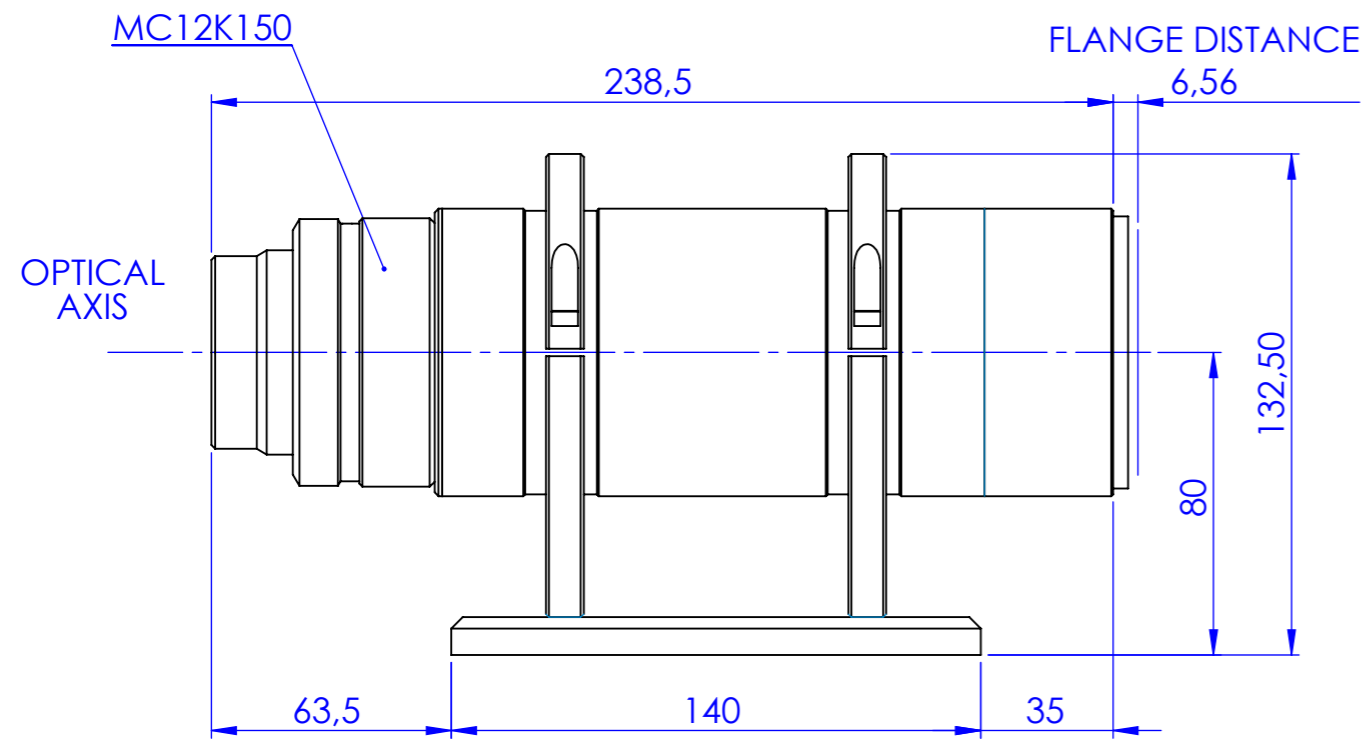
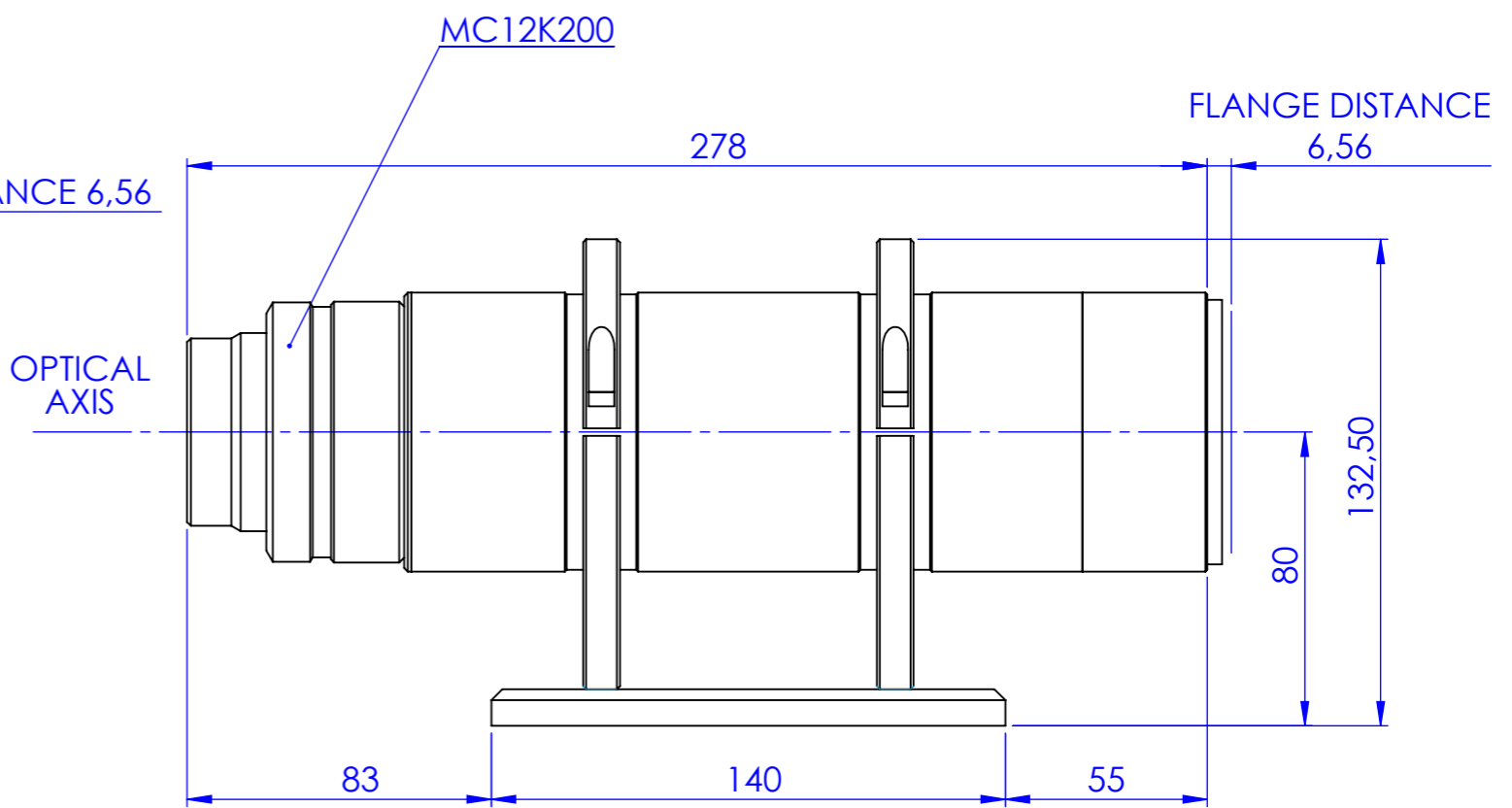
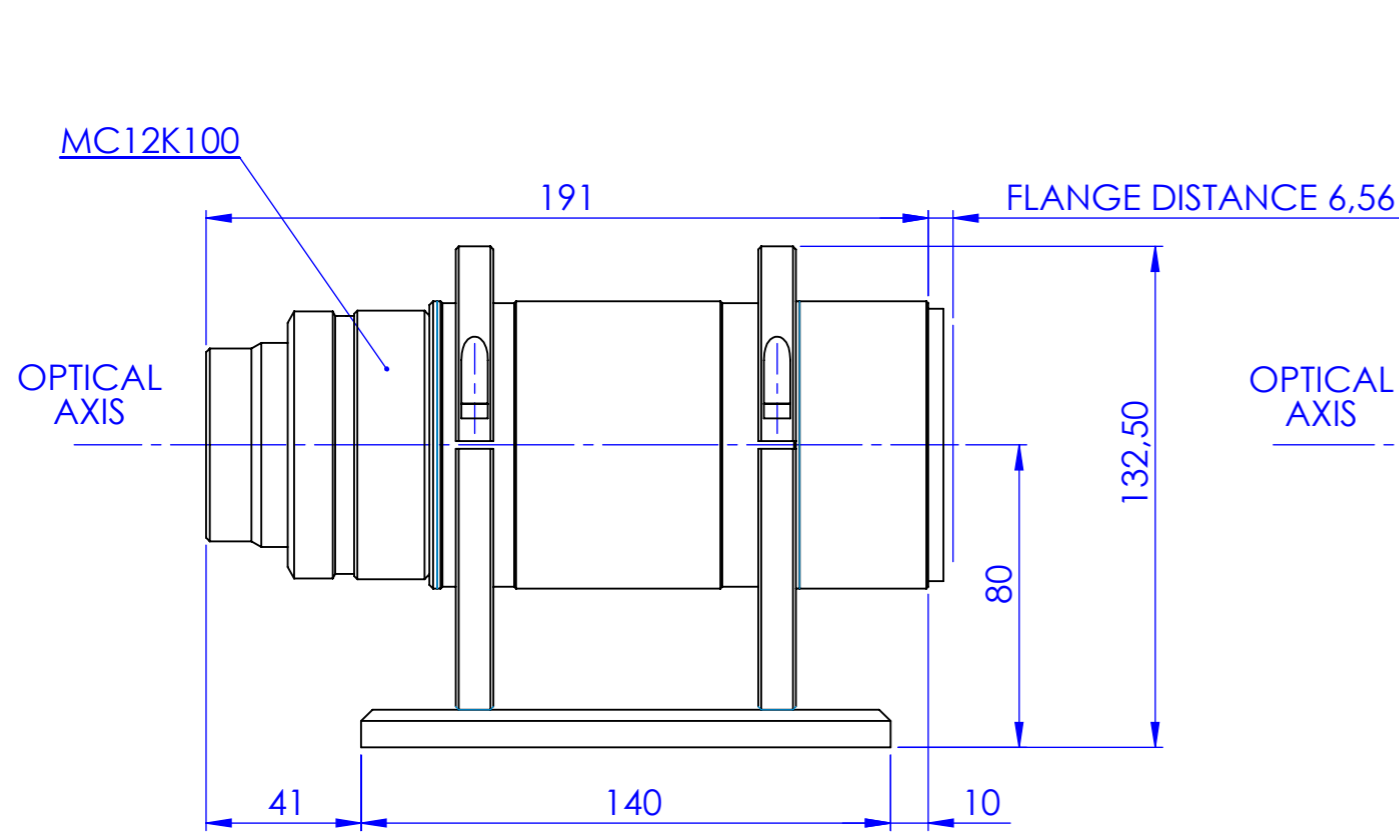
0 1 2 3 4 5 6 7 8 9 10

6

7

8

| Rev No. | Description | Date | Name |
|---------|-------------|----------|--------------|
| A | New Part | 07/03/13 | A.Vasconetto |



| | | | | | | |
|--|------|----------|------------------------------|--------------|----------------------|---------|
| Material | N.A. | | Mass | N.A. | Scale | 1:1 |
| Surface treatment | N.A. | | Project-Prod.item/Instrument | | CMHOMC12K200 | |
| Geometrical tolerance (ISO 2768-2) | | | Class | K | Undimensioned bevels | 0.5x45° |
| Linear tolerance (ISO 2768-2) | | | Class | m | Undimensioned radii | R 0.5 |
| 0.5 | >3 | >6 | >30 | >120 | >400 | >1000 |
| ±3 | ±6 | ±30 | ±120 | ±400 | ±1000 | ±2000 |
| ±0.1 | ±0.1 | ±0.2 | ±0.3 | ±0.5 | ±0.8 | ±1.2 |
| | | | | | | ±2 |
| | | Date | Name | | Drawing No. | Sheet |
| | | Designed | 07/03/13 | A.Vasconetto | 21320-2-A | 2/2 |
| | | Draw | 07/03/13 | A.Vasconetto | | |
| | | Checked | X | C.Sedazzari | | |
| OPTO ENGINEERING S.r.l. - 46100 Mantova Italy - Via Cremona, 29/2 - Tel. +39 0376 263525 - e-mail: info@opto-engineering.com - http://www.opto-engineering.com | | | | | | |