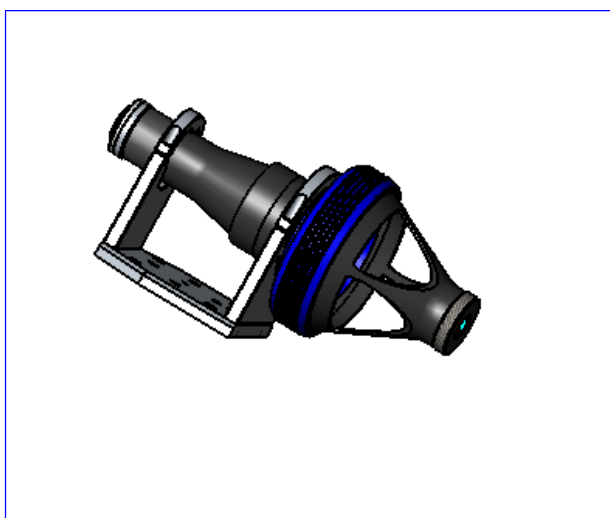
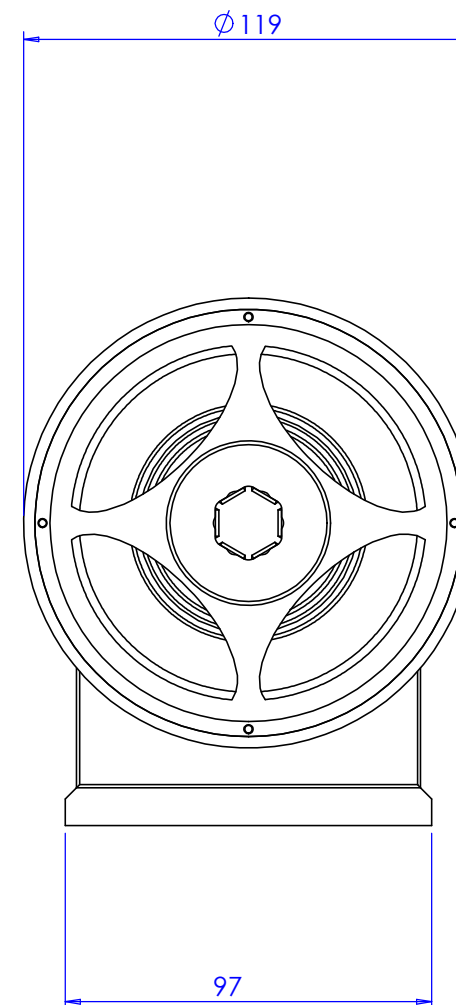
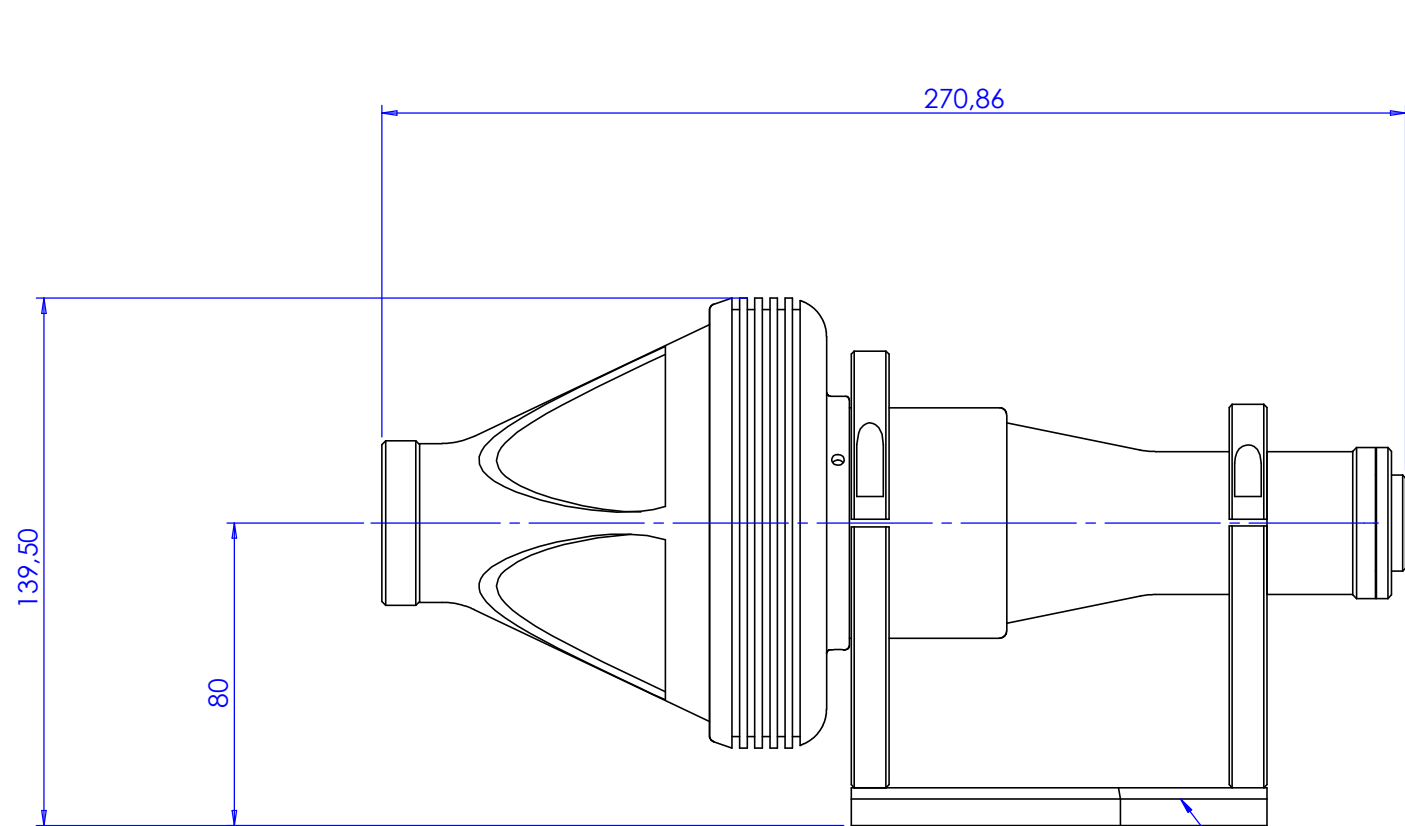

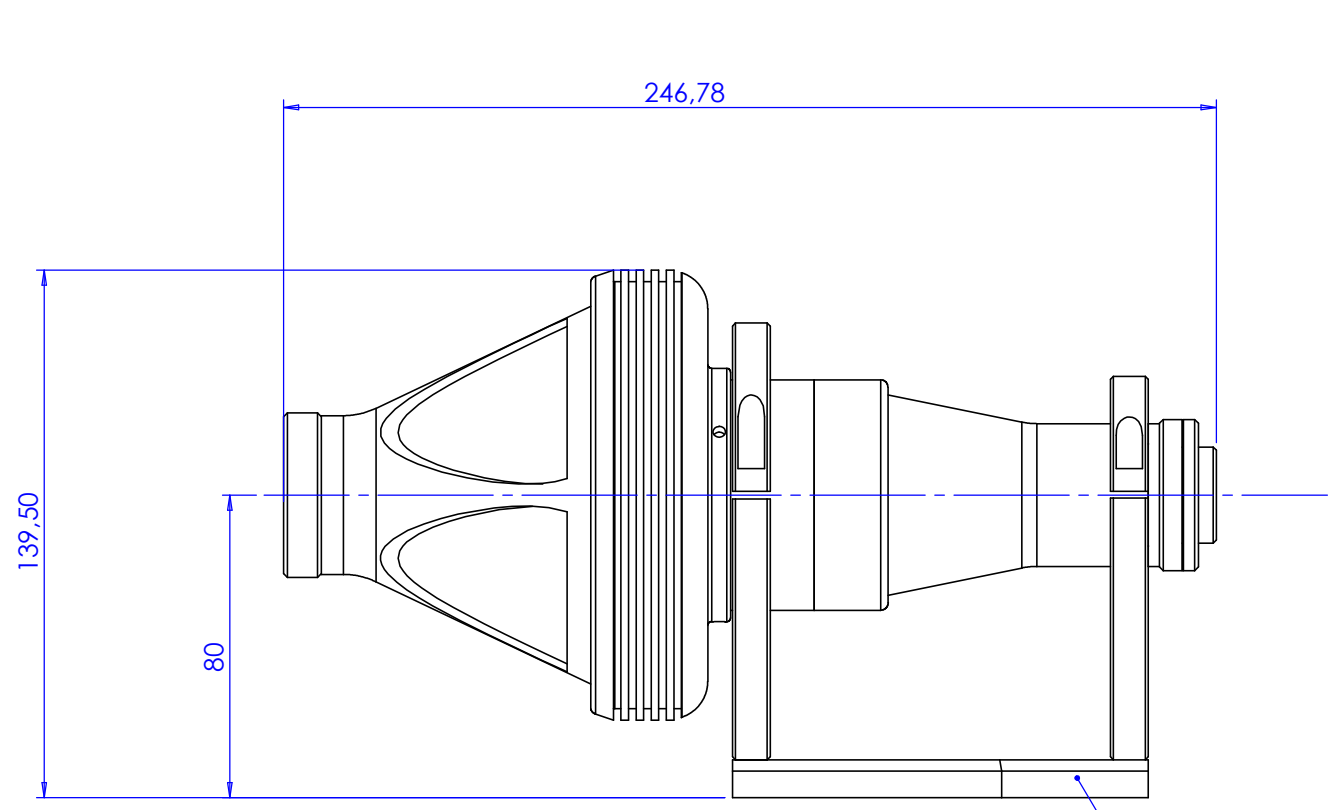


Rev No.	Description	Date	Name
A	Nuova parte	02/02/10	N.Santini

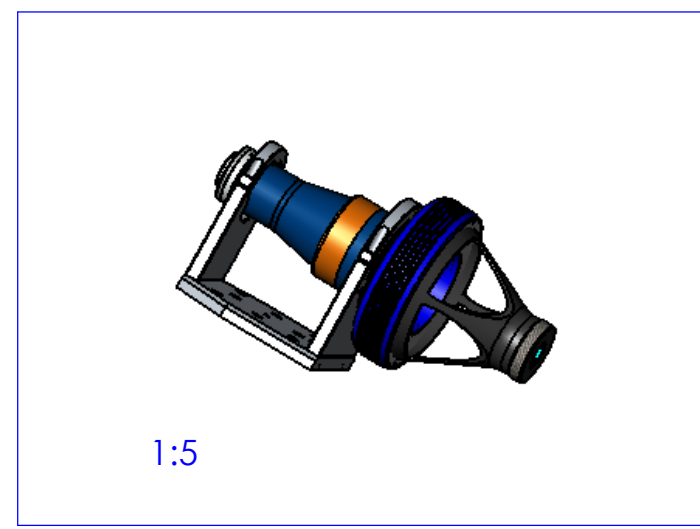
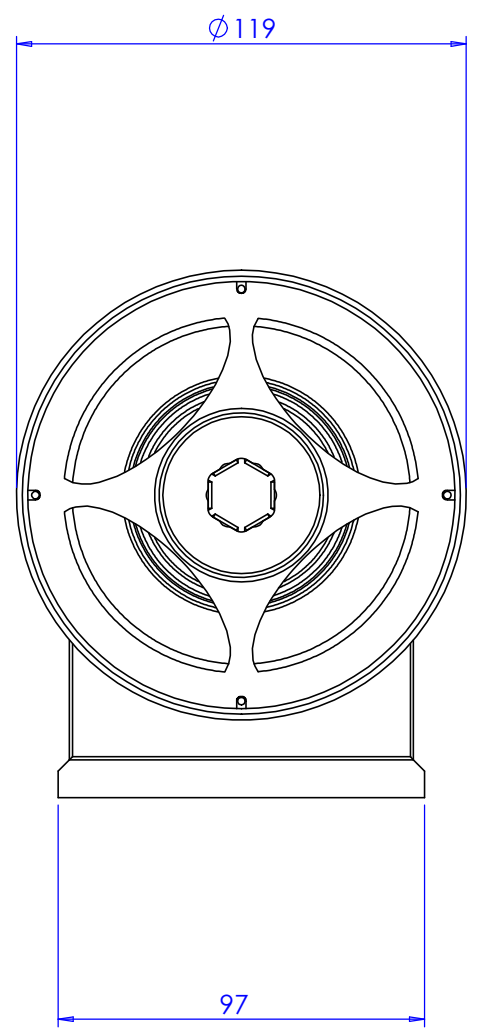


Material	N.A.		Mass	Scale	1:2			
Surface treatment	N.A.		Project-Prod.item/Instrument PCMPXXY					
Geometrical tolerance (ISO 2768-2)			Class	K	Undimensioned bevels 1x45° Undimensioned radii R 0.5			
Linear tolerance (ISO 2768-2)			Class	m				
0.5 ±3	>3÷ 6	>6÷ 30	>30÷ 120	>120 ±400	>400÷ 1000	>1000 ±2000	>2000 ±4000	Description Layout PCMP023
±0.1	±0.1	±0.2	±0.3	±0.5	±0.8	±1.2	±2	
 www.opto-engineering.com			Date	Name	Drawing No.	Sheet		
			Designed	02/02/10	N.Santini	19131-1-A	1/2	
			Draw	02/02/10	N.Santini			
Checked	X		Reproduction forbidden without specific authorization					
OPTO ENGINEERING S.r.l. - 46100 Mantova Italy - Via Cremona, 29/2 - Tel. +39 0376 263565 - e-mail: info@opto-engineering.com - http://www.opto-engineering.com								

Rev No.	Description	Date	Name
A	Nuova parte	02/02/10	N.Santini



OE CMHO36



1:5

Material	N.A.			Mass	Scale	1:2
Surface treatment	N.A.			Project-Prod.item/Instrument PCMPXXY		
Geometrical tolerance (ISO 2768-2)			Class	K	Description	
Linear tolerance (ISO 2768-2)			Class	m	Undimensioned bevels	1x45°
0.5	>3±	>6±	>30±	>120	>400±	>1000
±3	6	30	120	±400	1000	±2000
±0.1	±0.1	±0.2	±0.3	±0.5	±0.8	±1.2
					Undimensioned radii	R 0.5
			Date	Name	Drawing No.	
			Designed	02/02/10	N.Santini	19131-2-A
			Draw	02/02/10	N.Santini	
			Checked	X	Sheet	
					2/2	
			Reproduction forbidden without specific authorization			