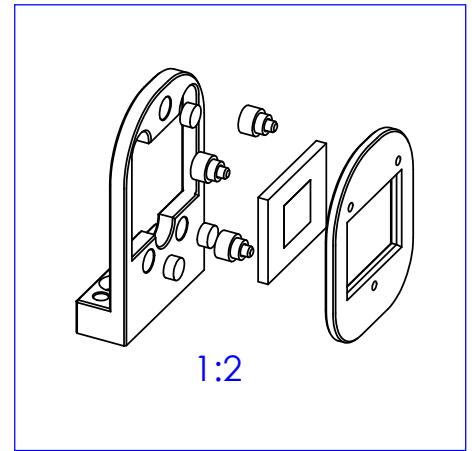
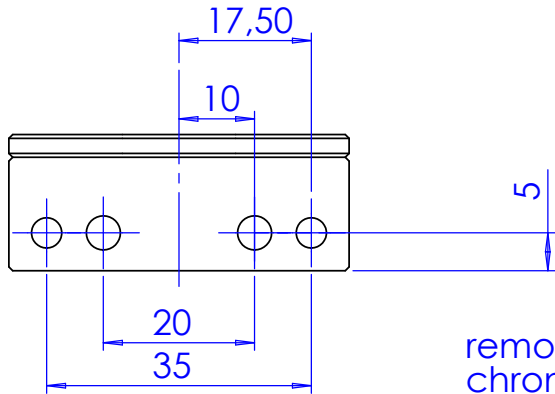
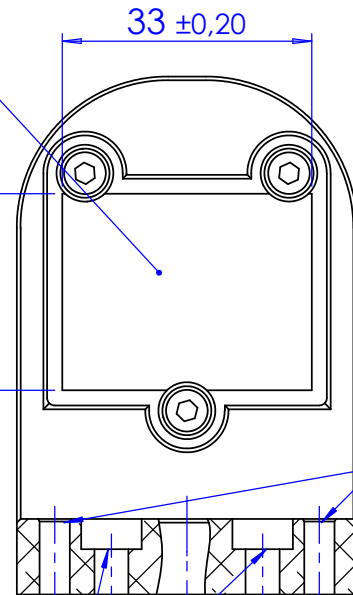
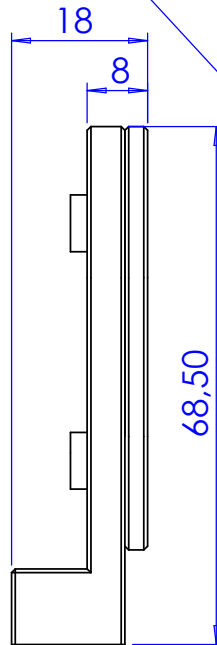
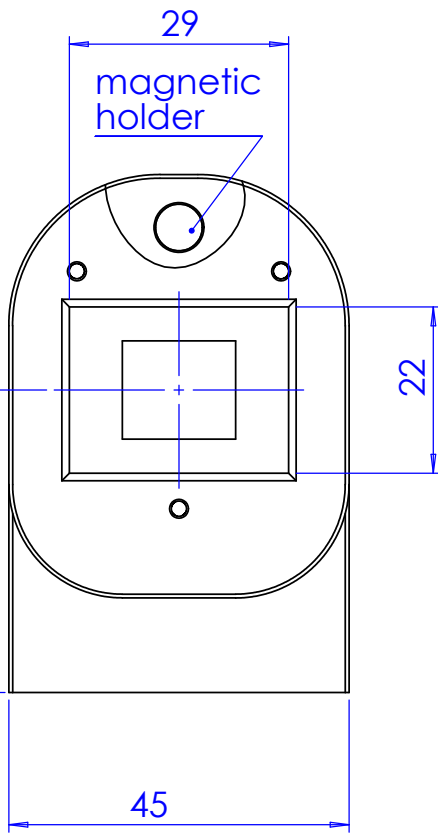


1	2	3	4
Rev No.	Description		Date
A	New Part		17/09/09
			N. Santini



removable  
chrome on glass  
pattern

1:2



Ø 4 F6  
dowelling  
holes

counterbored holes  
for M4 screws

Material		N.A.				Mass	78,4 g	Scale	1:1				
Surface treatment		N.A.		Project-Prod.item/Instrument									
				CMPH004-024									
Geometrical tolerance (ISO 2768-2)				Class	K	Description							
Linear tolerance (ISO 2768-2)				Class	m					CMHO004-024			
0.5 ±3	>3÷ 6	>6÷ 30	>30÷ 120	>120 ±400	>400÷ 1000								
±0.1	±0.1	±0.2	±0.3	±0.5	±0.8	±1.2	±2	Undimensioned radii	R 0.5				
 www.opto-engineering.com				Date	Name	Drawing No.		Sheet					
		Designed	17/09/09	N. Santini	18938-0-A		1/1						
		Draw	17/09/09	N. Santini									
		Checked	X	C. Sedazzari	Reproduction forbidden without specific authorization								
OPTO ENGINEERING S.r.l. - 46100 Mantova Italy - Via Cremona, 29/2 - Tel. +39 0376 229585 - e-mai: info@opto-engineering.com - http://www.opto-engineering.com													