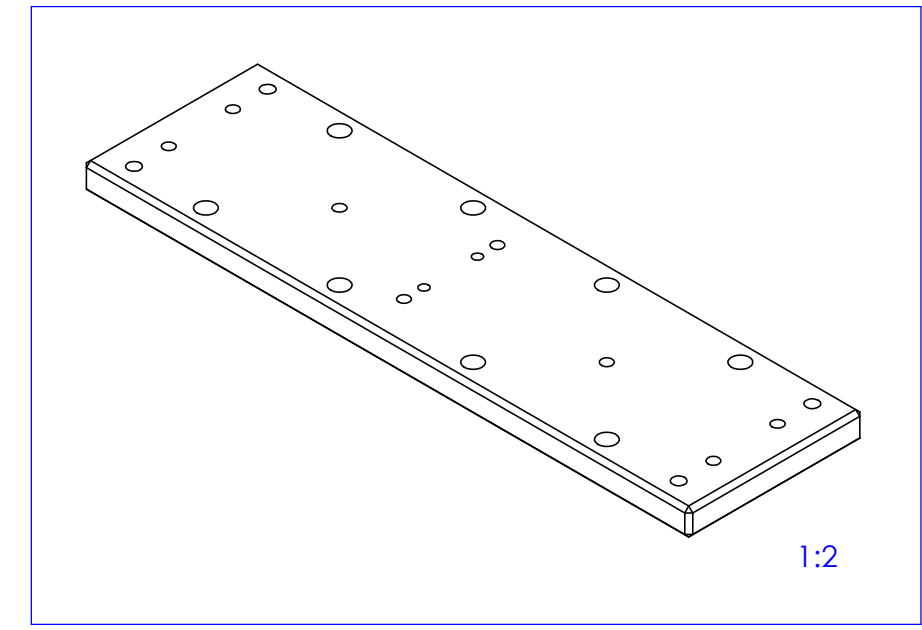
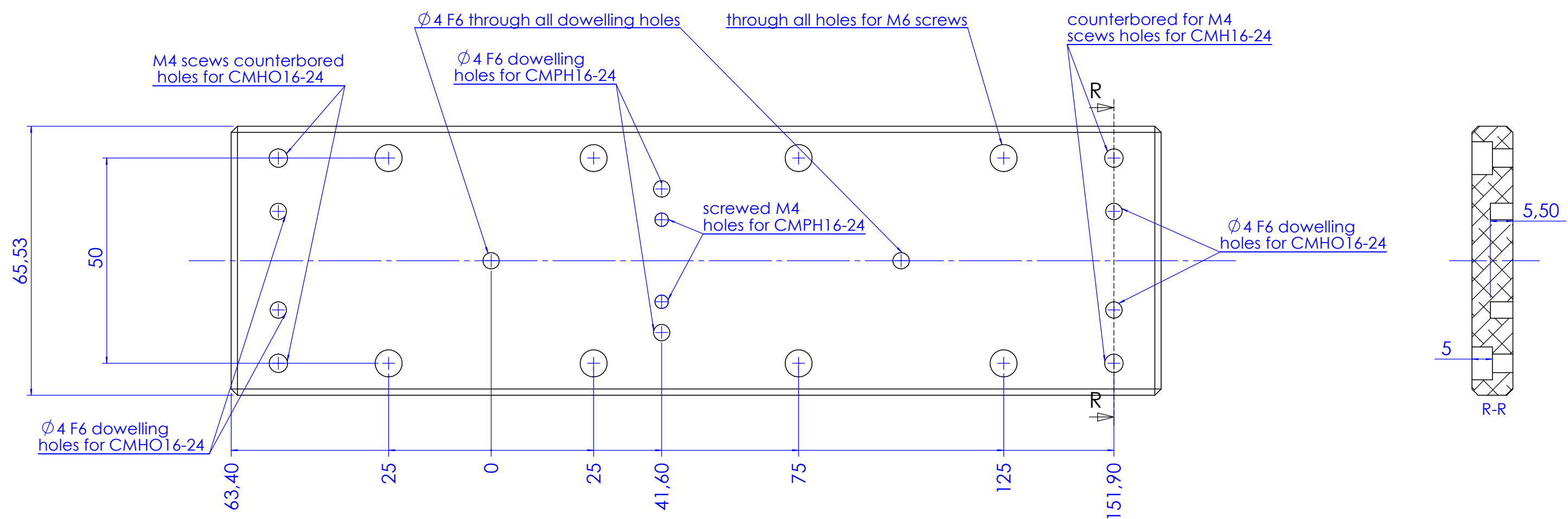
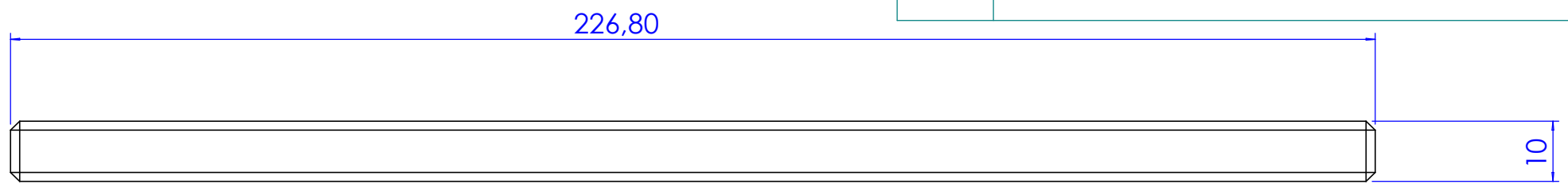


Rev No.	Description	Date	Name
A	New Part	16/09/09	N. Santini



Material Aluminum - UNI EN 573 EN AW 6063		Mass 384.5 g		Scale 1:1	
Surface treatment Gray Condensed Anodization		Project-Prod.item/Instrument CMPT16-24		Description CMPT16-24	
Geometrical tolerance (ISO 2768-2)		Class K		Undimensioned bevels 1x45°	
Linear tolerance (ISO 2768-2)		Class m		Undimensioned radii R 0.5	
0.5 ±3	>3± 6	>6± 30	>30± 120	>120 ±400	>400± 1000
±0.1	±0.1	±0.2	±0.3	±0.5	±0.8
Date		Name		Drawing No.	
Designed 16/09/09		N. Santini		18927-0-A	
Draw 16/09/09		N. Santini		Sheet 1/1	
Checked X		C.Sedazzari		Reproduction forbidden without specific authorization	
OPTO ENGINEERING S.r.l. - 46100 Mantova Italy - Via Cremona, 29/2 - Tel. +39 0376 263565 - e-mail: info@opto-engineering.com - http://www.opto-engineering.com					