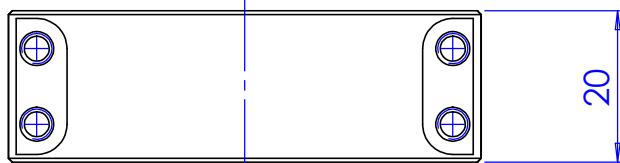
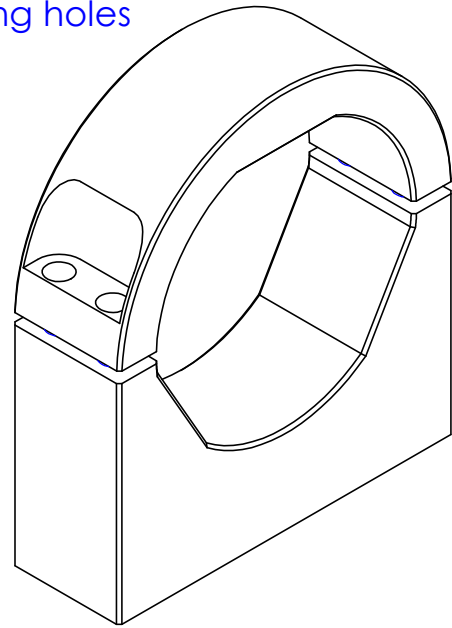
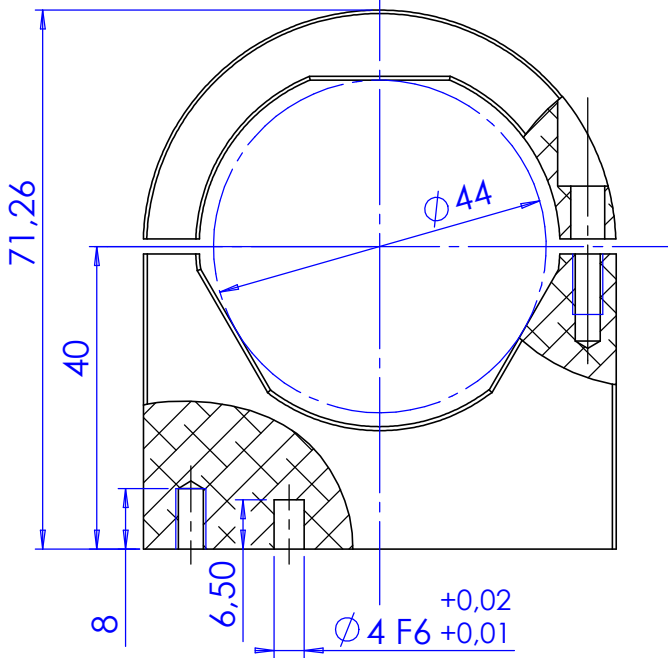
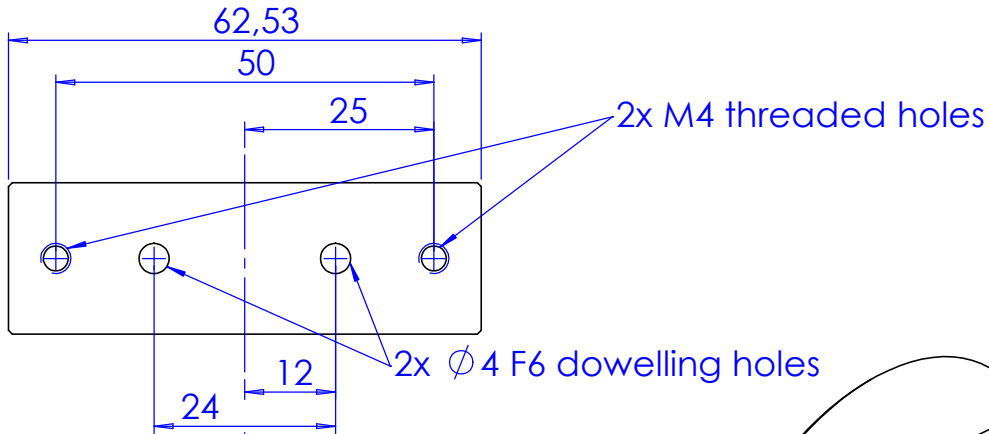


1	2	3	4
Rev No.	Description		Date
A	New Part		16/09/09
			N. Santini



Material <b>Aluminum - UNI EN 573 EN AW 6063</b>			Mass <b>115.7 g</b>	Scale <b>1:1</b>	
Surface treatment <b>Grey Anodizing</b>			Project-Prod.item/Instrument <b>CMHO24</b>		
Geometrical tolerance (ISO 2768-2)		Class K Class m Undimensioned bevels Undimensioned radii	Description <b>CMHO24</b>		
Linear tolerance (ISO 2768-2)			0.5x45	R 0.5	
0.5 ±3	>3± 6	>6± 30	>30± 120	>120 ±400	
			>400± 1000	>1000 ±2000	
			>2000 ±4000	±2	
±0.1	±0.1	±0.2	±0.3	±0.5	
			±0.8	±1.2	
		Date	Name	Drawing No.	
		Designed	16/09/09	N. Santini	<b>18886-0-A</b>
		Draw	16/09/09	N. Santini	
		Checked	X	C. Sedazzari	Sheet <b>1/1</b>
Reproduction forbidden without specific authorization <b>OPTO ENGINEERING S.R.L. - 46100 Mantova Italy - Via Cremona, 29/2 - Tel. +39 0376 229585 - e-mai: info@opto-engineering.com - http://www.opto-engineering.com</b>					