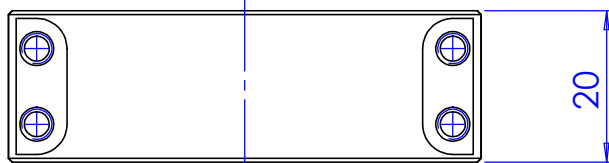
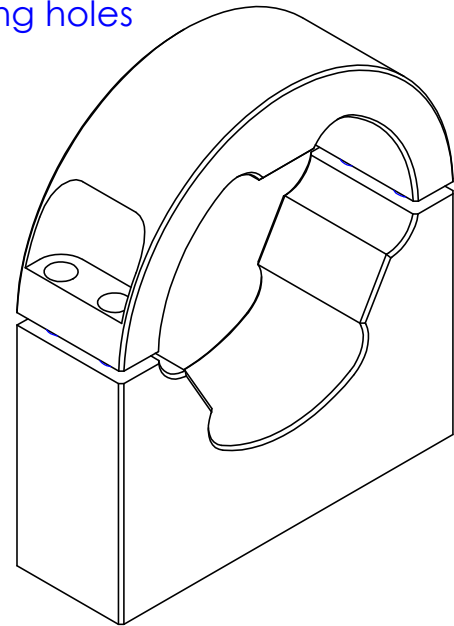
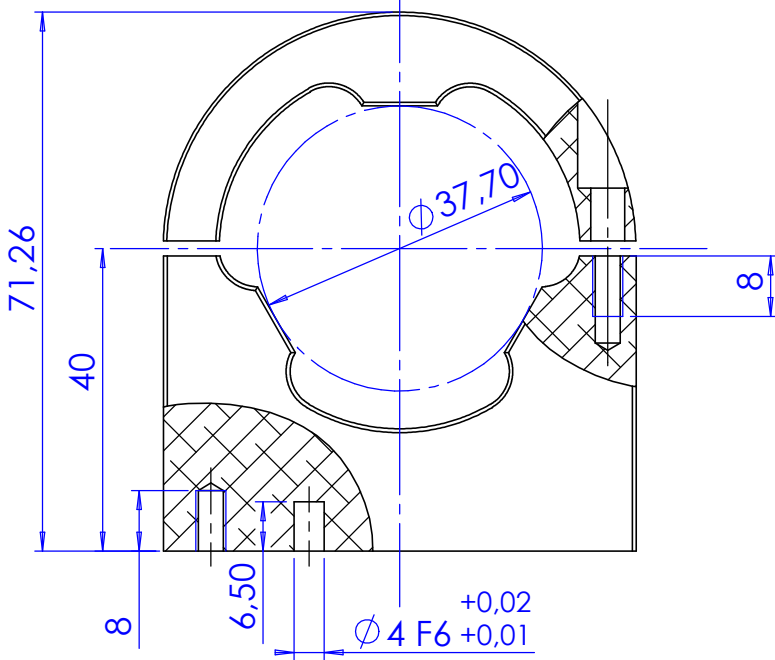
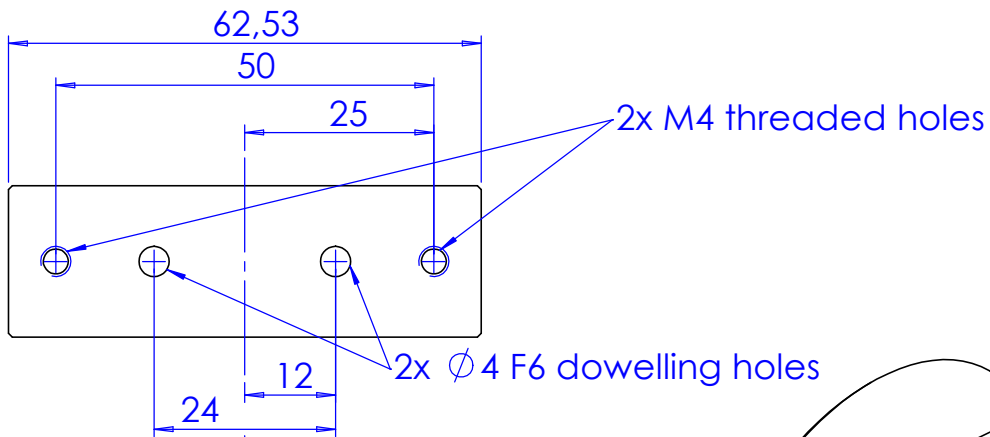


1	2	3	4
Rev No.	Description		Date
A	New Part		16/09/09
			N. Santini



Material <b>Aluminum - UNI EN 573 EN AW 6063</b>			Mass <b>115.7 g</b>	Scale <b>1:1</b>							
Surface treatment <b>Grey Anodizing</b>			Project-Prod.item/Instrument <b>CMHO16</b>								
Geometrical tolerance (ISO 2768-2)		Undimensioned bevels <b>0.5x45°</b> Undimensioned radii <b>R 0.5</b>	Description <b>CMHO16</b>								
Linear tolerance (ISO 2768-2)											
0.5 ±3	>3± 6	>6± 30	>30± 120	>120 ±400	>400± 1000	>1000 ±2000	>2000 ±4000	Class Class K m			
±0.1	±0.1	±0.2	±0.3	±0.5	±0.8	±1.2	±2	Undimensioned bevels <b>0.5x45°</b> Undimensioned radii <b>R 0.5</b>			
		Date		Name		Drawing No.		Sheet			
		Designed		16/09/09		N. Santini		<b>18875-0-A</b>		<b>1/1</b>	
		Draw		16/09/09		N. Santini					
Checked		X		C. Sedazzari		Reproduction forbidden without specific authorization					