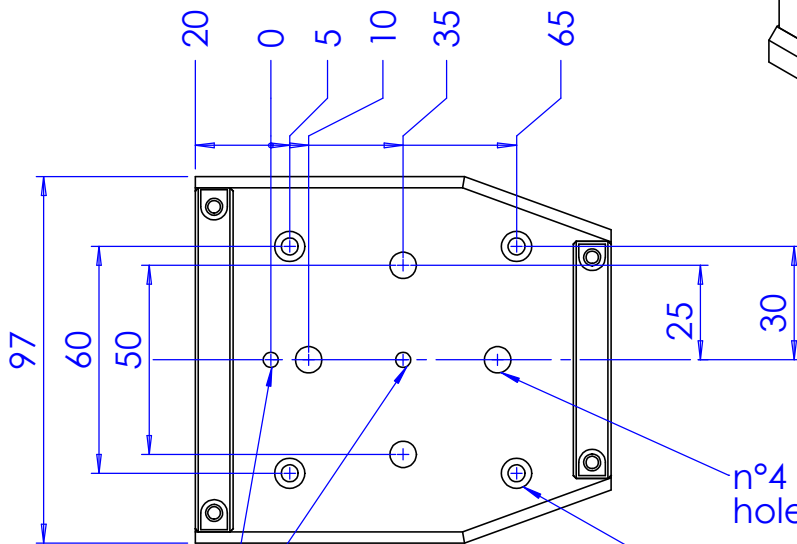
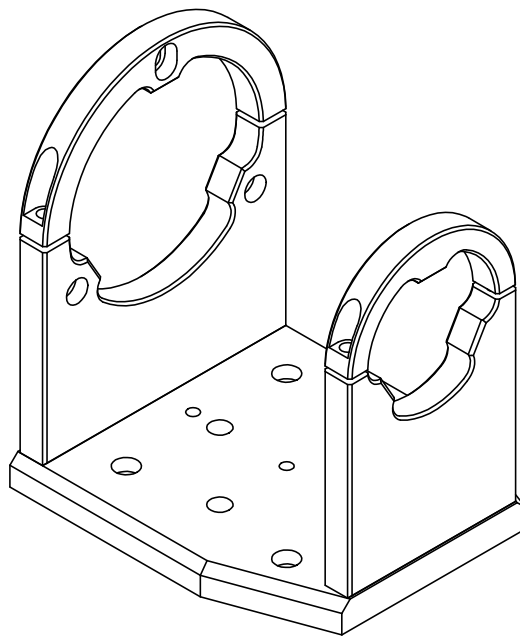
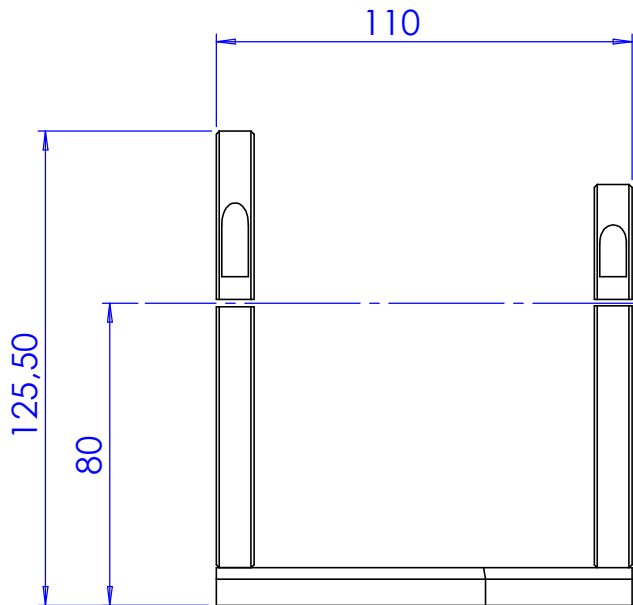


1	2	3	4
Rev No.	Description	Date	Name
A	New Part	16/09/09	N. Santini



n° 2 dowelling holes  $\varnothing 4$  F6

n°4 trough all holes for M6 screws

n°4 counterbored holes for M4 screws

Material <b>Aluminum - UNI EN 573 EN AW 6063</b>			Mass <b>518.2 g</b>	Scale <b>1:2</b>					
Surface treatment <b>Grey Anodizing</b>			Project-Prod.item/Instrument <b>CMHO36</b>						
Geometrical tolerance (ISO 2768-2)			Description <b>CMHO36</b>						
Linear tolerance (ISO 2768-2)		Class			K				
0.5 ±3	>3÷ 6	>6÷ 30			>30÷ 120	>120 ±400	>400÷ 1000	>1000 ±2000	>2000 ±4000
±0.1	±0.1	±0.2	±0.3	±0.5	±0.8	±1.2	±2	Undimensioned radii	<b>R 0.5</b>
		Date	Name	Drawing No.	Sheet				
		Designed	16/09/09	N. Santini	<b>18873-0-A</b>	<b>1/1</b>			
		Draw	16/09/09	N. Santini					
Checked	X	C. Sedazzari	Reproduction forbidden without specific authorization						