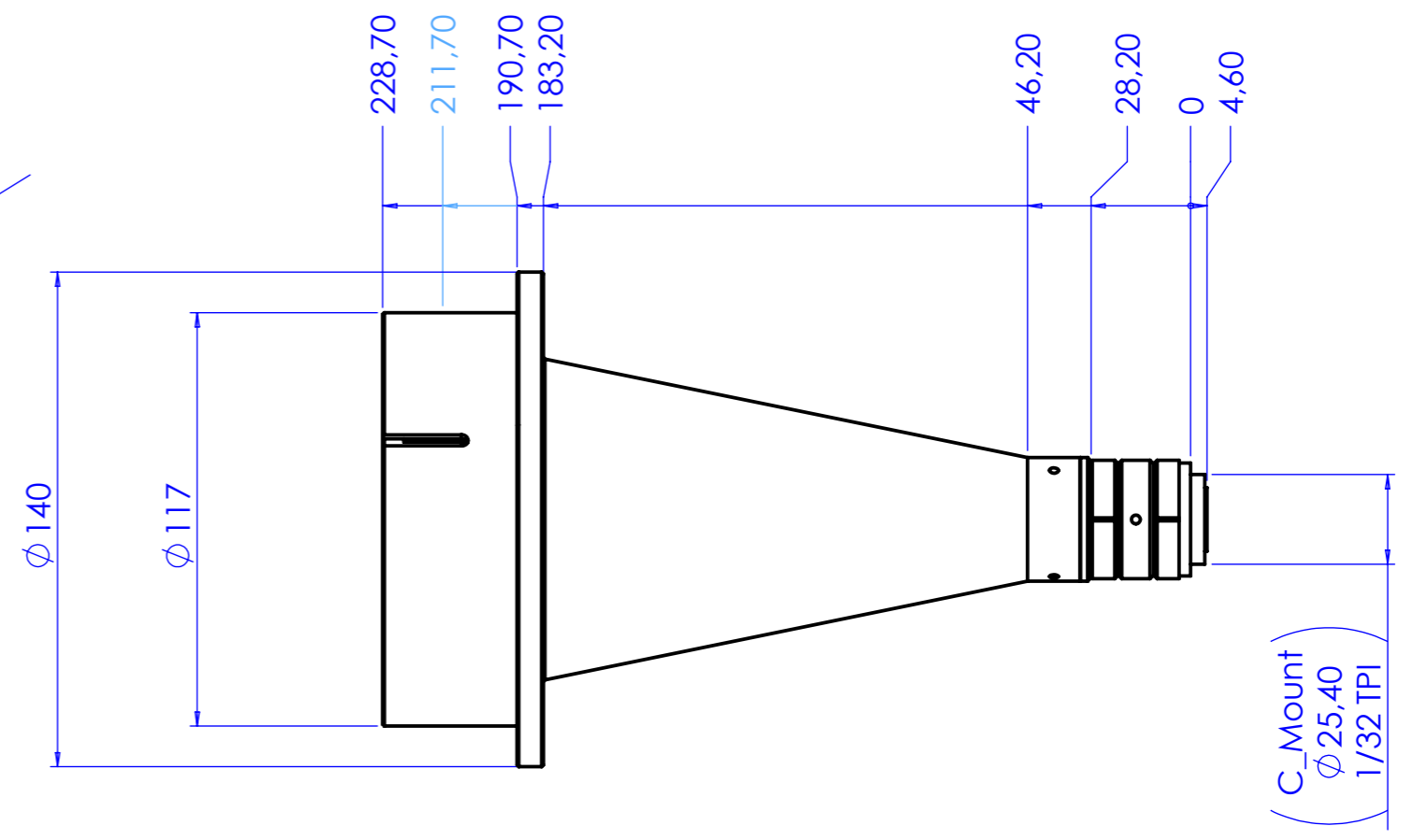
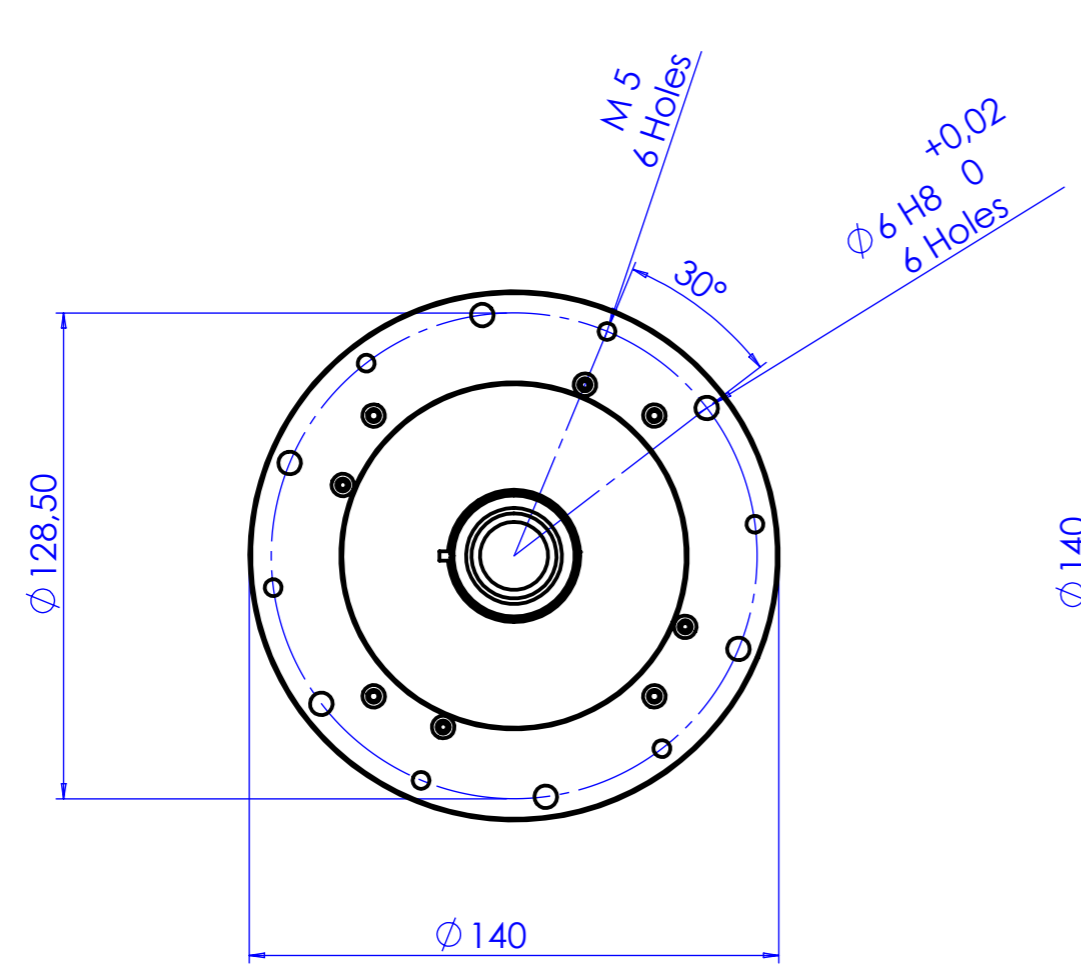


Rev No.	Description	Date	Name
C	Layout	12/11/13	



Material	N. A.		Mass	990 gr.	Scale	1:2
Surface treatment	N. A.		Project-Prod.item/Instrument		PCPW0XX	
Geometrical tolerance (ISO 2768-2)			Class	K	Undimensioned bevels	
Linear tolerance (ISO 2768-2)			Class	m	1x45°	
0.5	>3	>6	>30	>120	>400	>1000
±3	±6	±30	±120	±400	±1000	±2000
±0.1	±0.1	±0.2	±0.3	±0.5	±0.8	±1.2
			Class	m	Undimensioned radii	
			Class	m	R 0.5	
Date		Name		Drawing No.		Sheet
Designed 11/09/09		A. Bnà		18551-0-C		1/1
Draw 12/11/13		A. Bnà		Reproduction forbidden without specific authorization		
Checked X						
OPTO ENGINEERING S.r.l. - 46100 Mantova Italy - Via Cremona, 29/2 - Tel. +39 0376 263565 - e-mail: info@opto-engineering.com - http://www.opto-engineering.com						

A B C D

A B C D

1 2 3 4 5 6 7 8

1 2 3 0 1 2 3 4 5 6 7 8 9 10 6 7 8