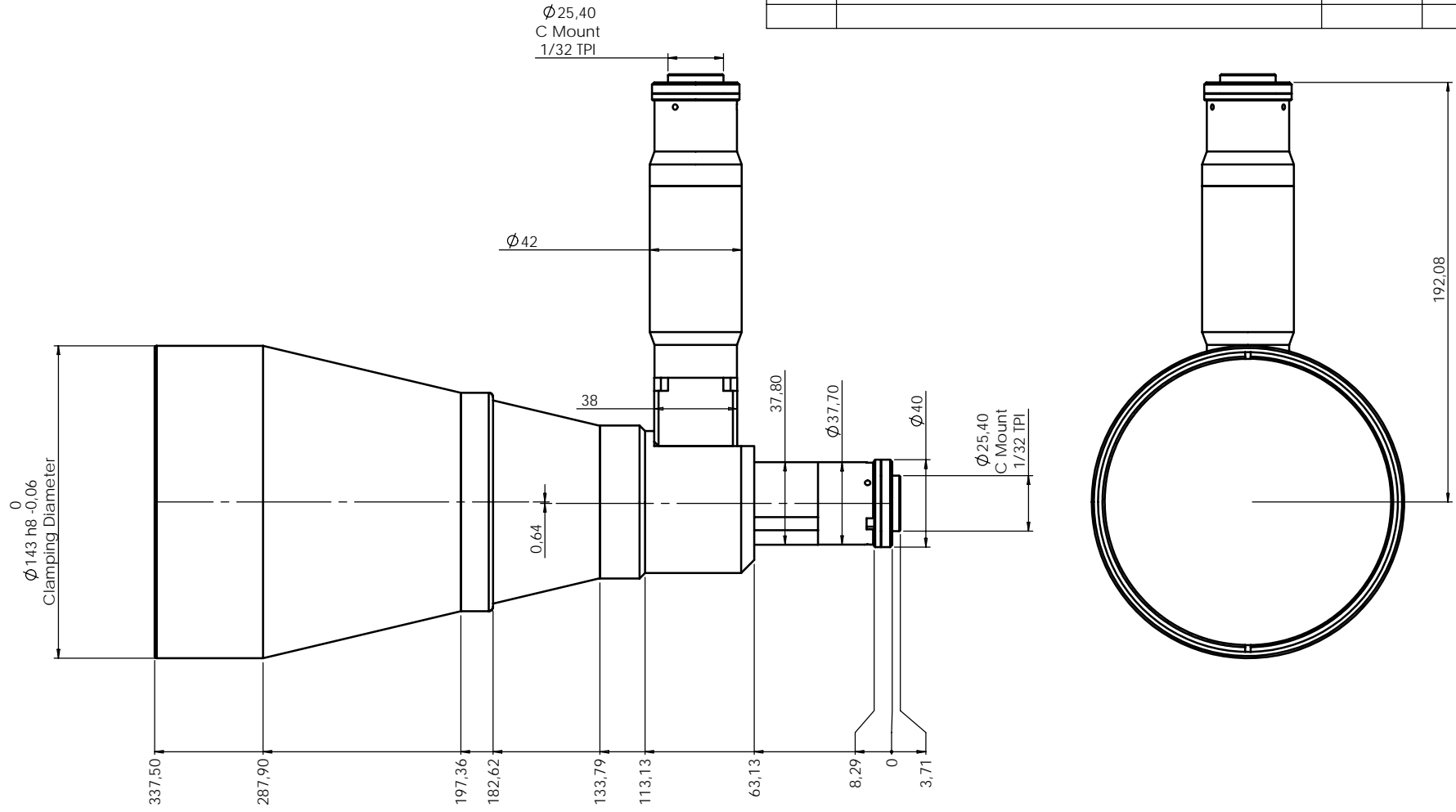


1 2 3 4 5 6 7 8

Rev No.	Description	Date	Name
A	Layout	14/12/11	A. Bnà



D
C
B
A

D
C
B
A

Material	N.A.		Mass	3.4 Kg.	Scale	1:2	
Surface treatment	N.A.		Project-Prod Item/Instrument TCDP 4X 096		Description TCDP 4X 096 Layout		
Geometrical tolerance (ISO 2768-2)		Class	K	Undimensioned bevels	1x45°	Description TCDP 4X 096 Layout	
Linear tolerance (ISO 2768-2)		Class	m	Undimensioned radii	R 0.5		
0.5	>3-	>6-	>30-	>120	>400-	>1000	>2000
+3	6	30	120	+400	1000	+2000	+4000
±0.1	±0.1	±0.2	±0.3	±0.5	±0.8	±1.2	±2
Date		Name		Drawing No.		Sheet	
Designed		A. Bnà		16321-0-A		1/1	
Draw		A. Bnà					
Checked		C. Sedazzari					
OPTO ENGINEERING S.r.l. - 46100 Mantova Italy - Via Cremona, 29/2 - Tel +39 0376 263525 - e-mail: info@opto-engineering.com - http://www.opto-engineering.com							

1 2 3 4 5 6 7 8

0 1 2 3 4 5 6 7 8 9 10